

OVERHEAD ELECTRIC CUSTOMER OWNED SERVICE POLE

1.0 INDEX

- 1.0 INDEX
- 2.0 PURPOSE
- 3.0 LIMITS
- 4.0 CUSTOMER RESPONSIBILITY
- 5.0 SPPC RESPONSIBILITY
- 6.0 PERMANENT SERVICE POLE
- 7.0 LOCATION
- 8.0 SERVICE DROP CLEARANCES
- 9.0 SERVICE ENTRANCE CONDUCTORS
- 10.0 RISER CONDUIT
- 11.0 SERVICE ENTRANCE SWITCH
- 12.0 GUYING
- 13.0 METERING
- 14.0 GROUNDING
- 15.0 MATERIALS

2.0 PURPOSE

This standard outlines the minimum requirements for installation of an overhead electric service to a customer owned service pole having a 100 Amp, 200 Amp or 400 Amp single phase service entrance. These requirements have been established in the interest of safety to the public and the workmen, and are applicable to all customer owned service poles. SPPC **cannot** establish service to poles which do not meet these requirements. ***The maintenance of the customer owned service pole is the sole responsibility of the customer.***

3.0 LIMITS

Overhead service is limited to areas served by an overhead electric distribution system and where not required by local ordinance to have underground services.

4.0 CUSTOMER RESPONSIBILITY

The customer shall furnish, install and maintain at his expense, the pole, service entrance conductors, service attachment devices/insulators, service riser conduit and weather head, service

					ENGINEERING & CONSTRUCTION STANDARD		SHEET <u>19</u> OF <u>88</u>	
					OVERHEAD ELECTRIC CUSTOMER OWNED SERVICE POLE		VOLUME <u>17</u>	
							DRAWING NUMBER CP0001M	
DRAWN	DESIGN	SUPR	DATE	REV				
JL	JF	SJ	5/03	5				

equipment, grounding and guying if required, and all other material required beyond SPPC's service drop, in accordance with applicable Local, State and National codes. The pole shall be of sufficient height and construction to provide the minimum clearances.

5.0 SPPC RESPONSIBILITY

SPPC will furnish, install and maintain, upon completion and final approval inspection of the customer pole, the service drop conductor, cable connectors for service entrance conductors and the meter.

6.0 PERMANENT SERVICE POLE

A service pole will be considered to be permanent when the installation is expected to remain for a period longer than one year. Permanent wood poles shall be furnished and installed by the customer. **SPPC will, as a last resort and at *customer's expense*, set the pole, exclusive of wiring and service entrance equipment, if customer is unable to have the pole set by a private contractor.** Poles may be rectangular or circular in cross section and shall be solid (not laminated). Rectangular poles shall be a minimum cross section of 6" x 6" nominal. Circular poles shall have a minimum top circumference of 16". The minimum acceptable length shall be 20' and must be set a minimum of 4' in the ground. A longer pole may be required to obtain the required clearances. Untreated redwood, butt-treated cedar and full treated Douglas Fir are acceptable. Clearances are based on conductor temperature at 60°F (15°C), no wind, with final unloaded sag in wire or conductor.

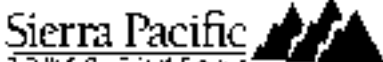
7.0 LOCATION

The pole shall be placed in such a location that the **service drop will not** cross-over portions of adjacent property, buildings or trailers on customer's premises unless a clearance of 8' minimum can be maintained over said building or trailer. The service pole shall be a minimum of 10' from SPPC pole and a maximum of 100' (75' max. in heavy snow areas, with conductors larger than #2 str triplex requiring shorter lengths).

8.0 SERVICE DROP CLEARANCES

Service drop shall maintain minimum clearance set by NESC, GO-95 and/or any State, Local or National Electric (NEC) ordinances. Refer to SPPC Standard CLE01T, Volume 3, for detailed information:

- A. 16' or 22' minimum over center of streets in Nevada per NESC or NDOT.
18' minimum over center of streets in California per GO-95.
See detail A



ENGINEERING & CONSTRUCTION STANDARD

SHEET 20 OF 88

**OVERHEAD ELECTRIC
CUSTOMER OWNED
SERVICE POLE**

VOLUME 17

DRAWING NUMBER
CP0001M

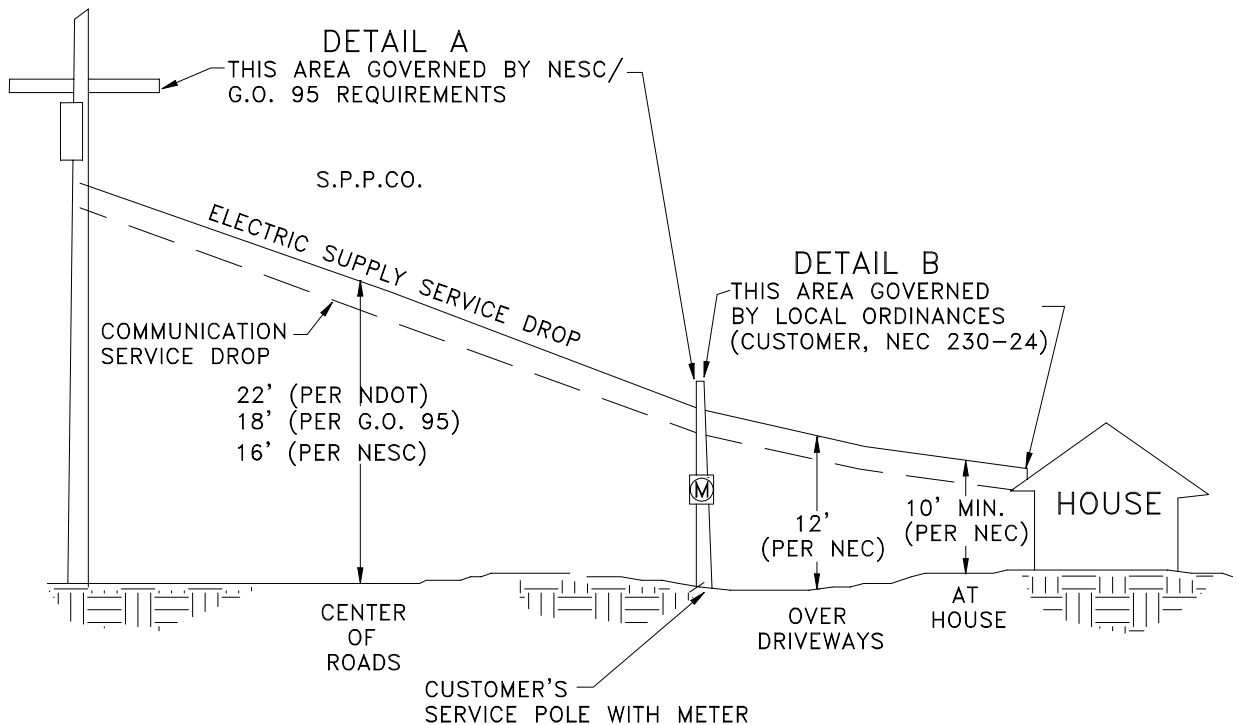
DRAWN	DESIGN	SUPR	DATE	REV
JL	JF	SJ	5/03	5

B. 12' minimum over residential property and driveways, and those commercial areas not subject to truck traffic where the voltage is limited to 300 volts to ground.

18' minimum over public streets, alleys, roads, parking areas subject to truck traffic, driveways on other than residential property, and other land traversed by vehicles such as cultivated, grazing, forest and orchard per NEC.

C. For crossing over other utilities, contact local SPPC office for minimum clearances.

NOTE: Elevation at point of attachment shall be such that all required vertical clearances can be maintained with allowance for normal conductor sag.



9.0 SERVICE ENTRANCE CONDUCTORS

The service entrance conductors shall be continuous, without splices, and shall be of a size and type to provide not less than the minimum standard as specified in Local, State and National codes. The neutral conductor must be insulated and securely connected to the neutral terminal of the meter socket and must be continuous from the weather head to the service entrance switch. Service entrance conductors must extend a minimum of 18" from the service head to provide for the make-up of the required drip loop.



ENGINEERING & CONSTRUCTION STANDARD

SHEET 21 OF 88

OVERHEAD ELECTRIC CUSTOMER OWNED SERVICE POLE

VOLUME 17

DRAWING NUMBER
CP0001M

DRAWN	DESIGN	SUPR	DATE	REV
JL	JF	SJ	5/03	5

10.0 RISER CONDUIT

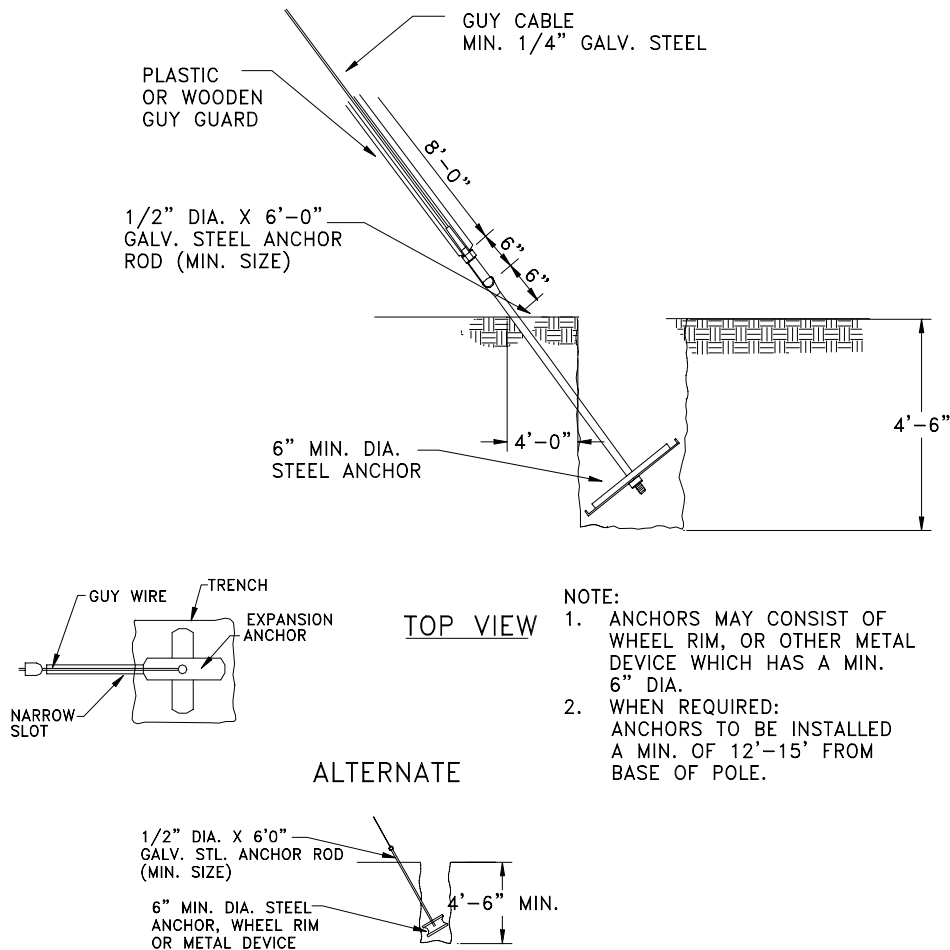
Preferred secondary riser conduit is to be "non-conductive" PVC material and the minimum conduit sized per National Electric Code.

11.0 SERVICE ENTRANCE SWITCH

All equipment must comply with Local, State and National Electric Codes (NEC).

12.0 GUYING

Where service drops cross a road or for spans of 75' or greater, or for service conductors larger than #2 str. al. triplex, the customer's pole shall be guyed against the pull of the service drop. When exposed to traffic, guys shall have a substantial wood, metal or suitable plastic guard, not less than 8 ft. in length, securely attached to the guy cable.



ENGINEERING & CONSTRUCTION STANDARD

SHEET 22 OF 88

**OVERHEAD ELECTRIC
CUSTOMER OWNED
SERVICE POLE**

VOLUME 17

DRAWING NUMBER
CP0001M

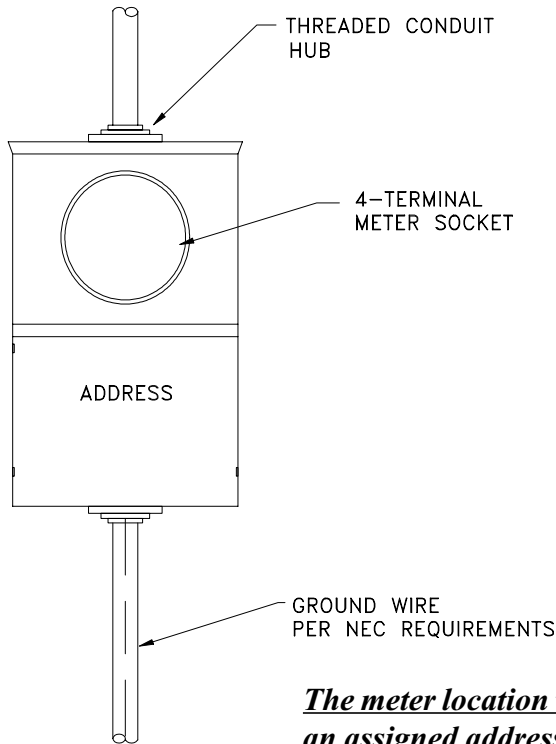
DRAWN	DESIGN	SUPR	DATE	REV
JL	JF	SJ	5/03	5

13.0 METERING

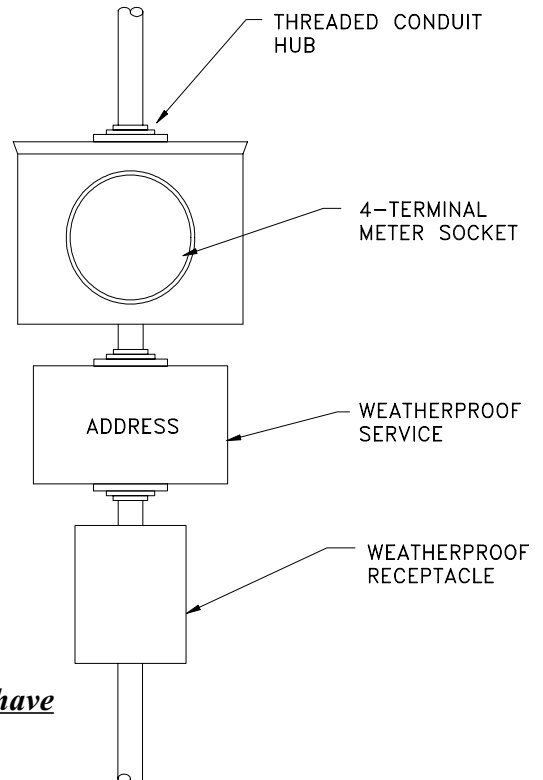
The customer shall furnish, install and wire the meter socket. ***The meter socket shall face the street or point of access.*** See GM0001M, Electric Metering, General, (Metering Section), Section 5.3 for label requirements.

NOTE: ALL WIRING/MATERIAL ON LOAD (CUSTOMER'S) SIDE OF METER SOCKET MUST BE IN ACCORDANCE WITH ALL LOCAL, STATE AND NATIONAL ELECTRIC CODES.

120/240V 3-WIRE WITH WATT HOUR METER, SERVICE SWITCH AND RECEPTACLE IN WEATHERPROOF CABINET.



120/240V 3-WIRE WITH WEATHERPROOF SERVICE SWITCH AND RECEPTACLES.



The meter location will have an assigned address.

14.0 GROUNDING

Ground all the exposed "non-current" carrying metal parts per NEC #250-66 requirements or other Local and State Codes.

					ENGINEERING & CONSTRUCTION STANDARD		SHEET 23 OF 88	
					OVERHEAD ELECTRIC CUSTOMER OWNED SERVICE POLE			
					VOLUME 17			
					DRAWING NUMBER CP0001M			
DRAWN	DESIGN	SUPR	DATE	REV				
JL	JF	SJ	5/03	5				

15.0 MATERIALS

Material Furnished By Customer:

1. Wood pole, length as required
2. Meter socket, main service switch.
3. Conduit, Sch.40 PVC min.
4. Conduit, Customer (load) side, Sch. 40 PVC min. **Steel not allowed.**
5. Conduit fittings.
6. Weather Head (service head).
7. Wire, insulated per NEC requirements
8. Eye bolt 5/8" dia. length as required.
9. Washers (2): 5/8", 2-1/4" sq. - for guy
10. Guy Material: 1/4" Galv. w/ Steel Anchor
11. Grounding per NEC.
14. Insulator (bolted clevis, 1-5/8" bolt)

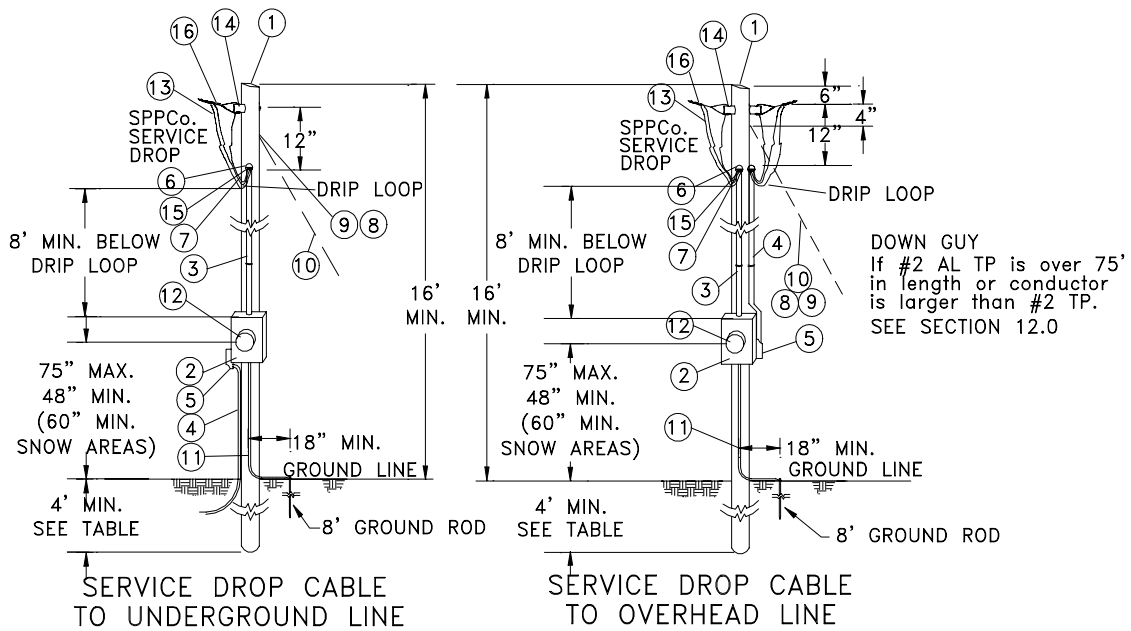
Material Furnished By SPPC

12. Meter.
13. Service drop wire.
15. Service drop connectors.
16. Source wedge clamp

POLE LENGTH (FT.)	DEPTH (FT.) IN FIRM SOIL
20*	4
25	4-1/2
30	5
35	5-1/2
40	6

*20' POLE HEIGHT NOT FOR VEHICULAR TRAFFIC USE

NOTE: PVC REQUIRED TO INSULATE LINEMAN WHILE CLIMBING POLE.



Sierra Pacific
POWER SERVICES

ENGINEERING & CONSTRUCTION STANDARD

SHEET 24 OF 88

OVERHEAD ELECTRIC
CUSTOMER OWNED
SERVICE POLE

VOLUME 17

DRAWING NUMBER
CP0001M

DRAWN	DESIGN	SUPR	DATE	REV
JL	JF	SJ	5/03	5