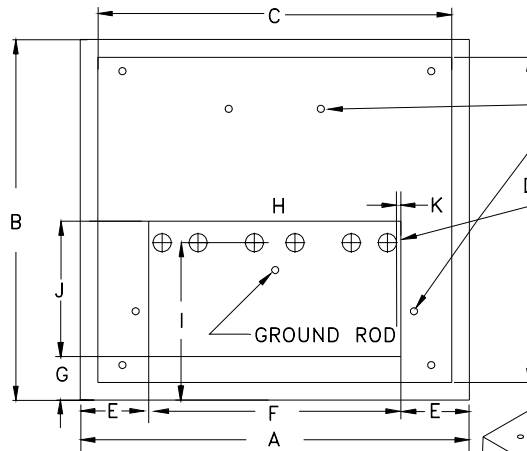
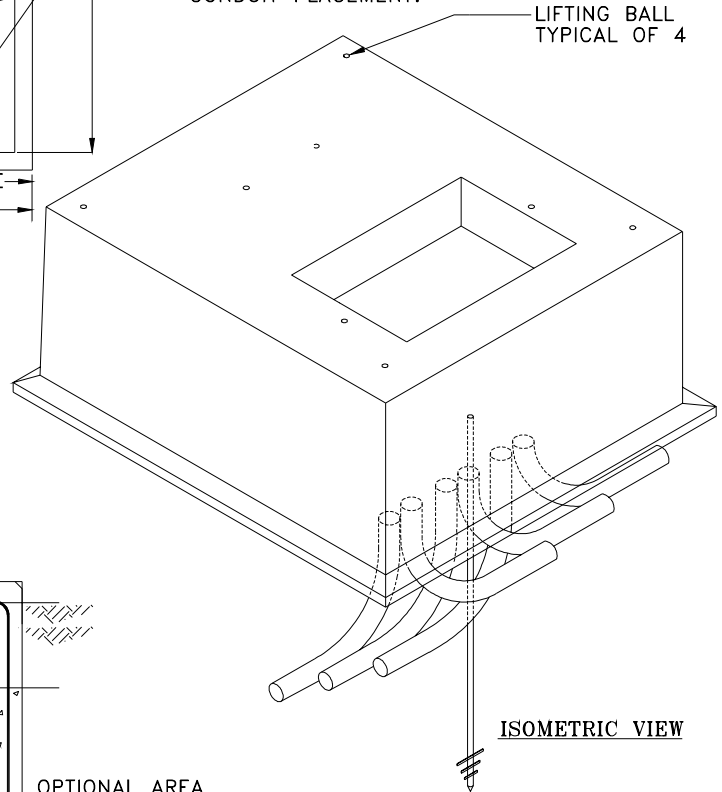


# PE0023U

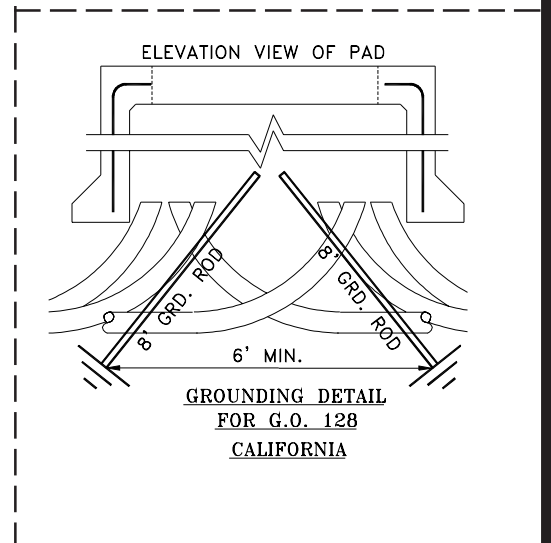
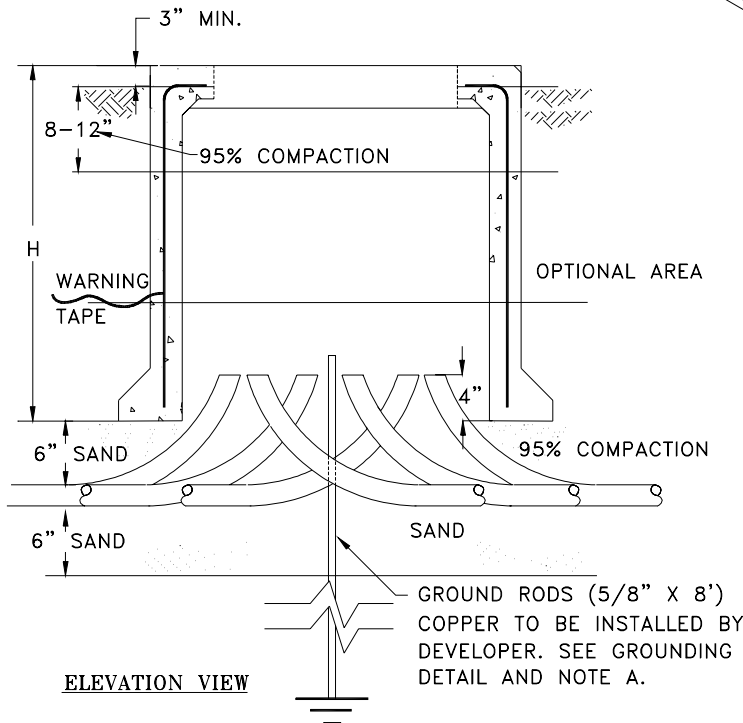


TOP VIEW

\*NOTE: SEE PPM01U-PPM04U VOLUME 5 FOR COMPATIBLE UNIT.



SAFETY - CUSTOMER'S RESPONSIBILITY:  
THE WELL OPENING WILL BE COVERED/SECURED UPON THE INSTALLATION OF THE WELL.



ENGINEERING & CONSTRUCTION STANDARD

SHEET 29 OF 48

PRIMARY METERING

VOLUME 17

200 / 600 AMP 3Ø

DRAWING NUMBER

PAD WELL DETAIL

PE0023U

DRAWN	DESIGN	SUPR	DATE	REV
JVJ	JF	SJ	5/04	03

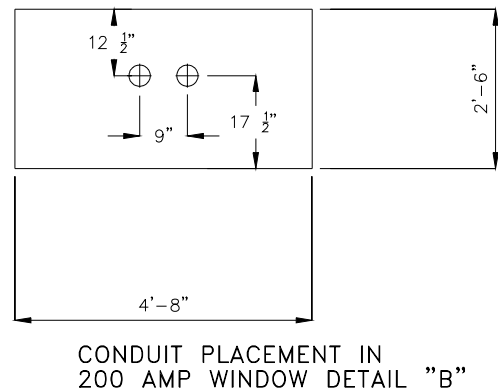
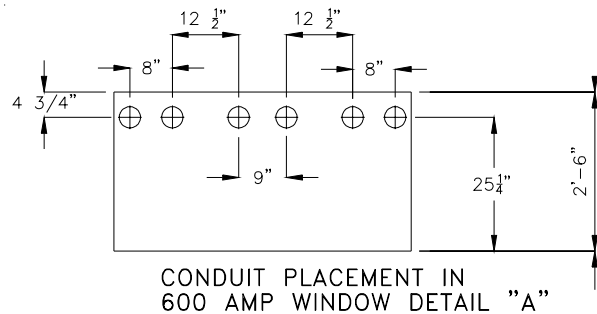
SPPC DWG. #	A	B	C	D	E	F	G	H	I	J	K	WEIGHT (LBS)
<b>PE0023U</b> PRIMARY METERING PAD WELL STOCK # 24-0731	112"	88"	104"	80"	24-1/2"	56"	10-1/4"	49"	SEE DETAILS A & B	30"	2-1/2"	9865

**CONSTRUCTION NOTES**

1. CONDUITS TO BE IN PROPER CONFIGURATION TO ALLOW CONDUIT SPACING AND PLUGGED PER CD0001U, SECTION 12.1.
2. 8" - 12" TYPE 2 BACKFILL TO BE COMPACTED AT 95%. SEE SUB01X 5.0, SECTION 3, VOLUME 17.
3. OPTIONAL AREA MUST BE COMPACTED TO 90%.
4. SAND AREA TO BE COMPACTED AT 90%, 12" OF SAND MUST COVER THE CONDUIT.
5. GROUND ROD (5/8" X 8' COPPER CLAD), TO BE INSTALLED BY DEVELOPER. TELEPHONE AND CABLE TV GROUND WIRE TO BE ATTACHED BY APPLICANT.
6. IN CALIFORNIA, ALL PAD MOUNTED EQUIPMENT WILL BE SECURED IN PLACE. SEE GO-128, 34.3A.

**ENGINEERING NOTES**

- A. IN CALIFORNIA, OR LAKE TAHOE AREAS, IF THE GROUND ROD DOES NOT MEGGER LESS THAN 25 OHMS, ANOTHER GROUND ROD MUST BE DRIVEN. SEE GO 128, RULE 21.5A.



**Sierra Pacific**  
POWER COMPANY

DRAWN	DESIGN	SUPR	DATE	REV
JVV	JF	SJ	5/04	03

**ENGINEERING & CONSTRUCTION STANDARD**

**PRIMARY METERING**

**200 / 600 AMP 3Ø**

**PAD WELL DETAIL**

**SHEET 30 OF 48**

VOLUME 17

DRAWING NUMBER  
**PE0023U**