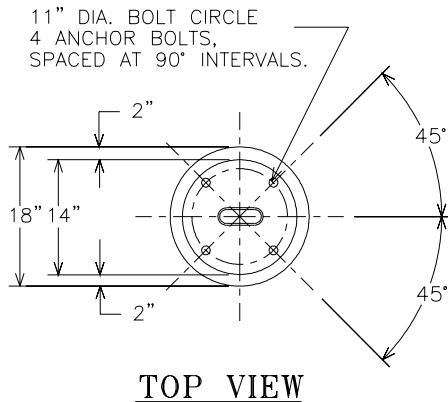


SLB12U



(B) 2.5" CHAMBER OPENING
FOR CONDUIT OR WATER
PIPE PLACEMENT.

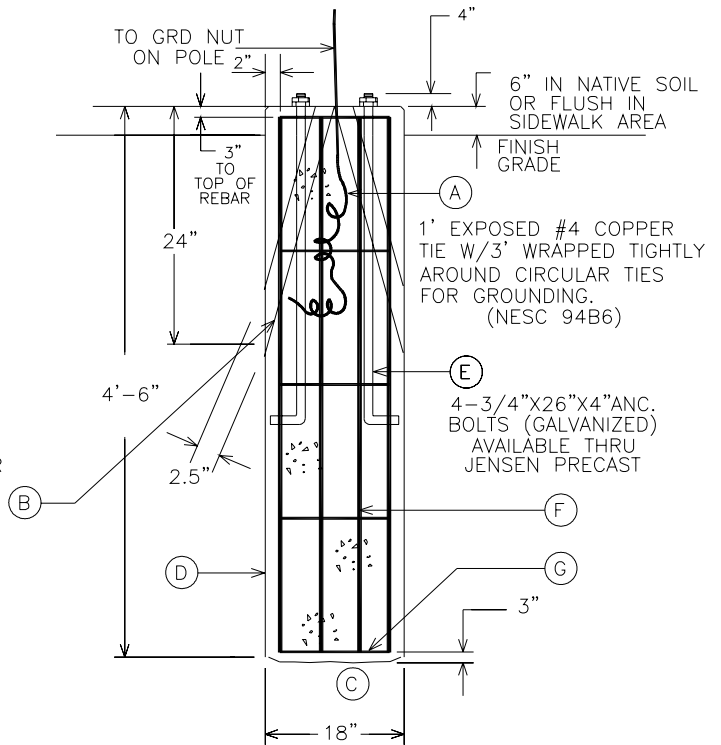
NOTE: (B)
CONDUIT SWEEP OR CHAMBER NOT
NEEDED WITH COMPATIBLE UNIT ODL30H.
FOR SLB02U, CHAMBER SUPPLEMENTED WITH
1 OR 2 2" 45° SWEEPS IF FIELD FORMED.

NOTE:

MIN. CONCRETE STRENGTH TO BE 2500 PSI
AT 28 DAYS, AND SHOULD HAVE 4 TO 6%
ENTRAINED AIR FOR FREEZE-THAW PROTECTION.
MIN. RE-BAR YIELD STRENGTH SHALL BE
60 K.S.I. ANCHOR BOLT TENSILE STRENGTH
SHALL BE 55 K.S.I.

NOTE:

FIELD INSPECTION REQUIRED PRIOR TO CONCRETE POUR.
TIE #4 SD COPPER (A) TO GROUND ROD IN FIELD
FORM APPLICATION.



MATERIAL LIST (FOR FIELD FORM)

COMPATIBLE UNIT NO.	SLB12U BASE FOR (U/G) BOLTED POLE		
ITEM	QTY.	DESCRIPTION	MATERIAL
A	4'-0"	WIRE #4 SD COPPER TIE	**
B	1 OR 2	SWEEP CONDUIT PVC 2" DB-60 45° X 2' RAD.	**
C	0.3 YDS.	CONCRETE BULK (FOR CMS SUPPORT)	**
D	1.0	TUBE FIBER 18" DIA. X 4'-6"	**
E	4.0	ANCHOR BOLTS 4" THREAD (W/2-NUTS & 1-WASHER PER BOLT) 26" LENGTH 4" 2'-6" LENGTH 3/4" DIA.	**
F	6.0	VERTICAL REBAR 4'-0" 4'-0" LENGTH #4 REBAR	**
G	5.0	CIRCULAR TIES 12" OVERLAP 4'-8" LENGTH #3 REBAR	**
H	1.0	ROD GROUND 5/8" X 8' COPPER CLAD W/SCREW CLAMP	**

NOTE: THIS ITEM CAN BE ORDERED FROM JENSEN PRECAST, SPPC_o STK #24-0019.
** APPLICANT SUPPLIED MATERIAL IF FIELD FORMED.

Sierra Pacific
POWER COMPANY

ENGINEERING & CONSTRUCTION STANDARD

SHEET 41 OF 48

UNDERGROUND DECORATIVE

VOLUME 17

STREET LIGHT BASE
FOR 16'-0" POLES

DRAWING NUMBER
SLB12U

DRAWN	DESIGN	SUPR	DATE	REV
BSP	JV	SJ	5/04	02

**THIS PAGE LEFT
INTENTIONALLY BLANK**

Sierra Pacific
POWER COMPANY



ENGINEERING & CONSTRUCTION STANDARD

SHEET 42 OF 48

**UNDERGROUND DECORATIVE
STREET LIGHT BASE
FOR 16'-0" POLES**

VOLUME 17

**DRAWING NUMBER
*SLB12U***

DRAWN	DESIGN	SUPR	DATE	REV
BSP	JV	SJ	5/04	02