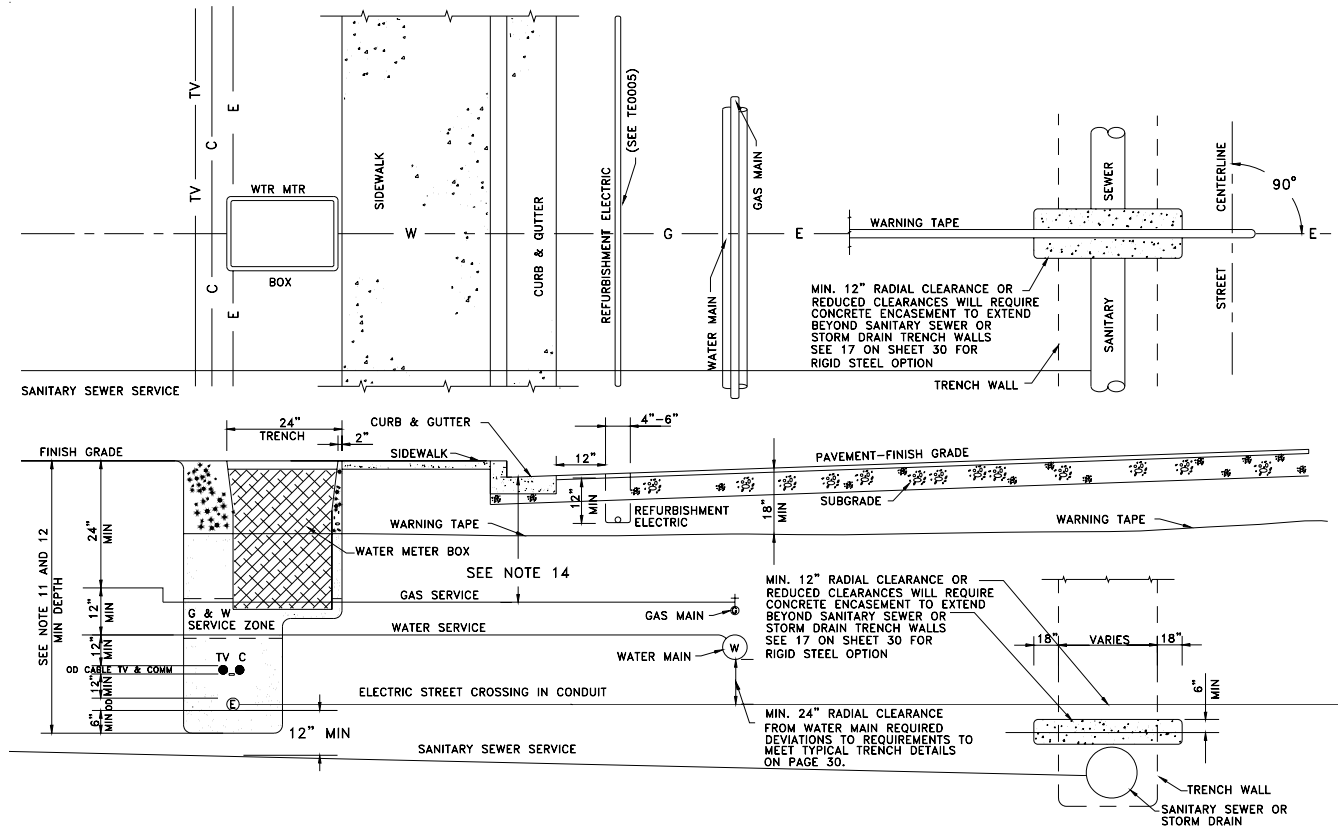


**CONSTRUCTION NOTES:**

- A. See TE0003U for typical trench details.
- B. See SUB01X for trench bedding and backfill specs.
- C. Electric to pass under Gas mains with min. 1' separation.
- D. Applicant to determine and stake finish grade.
- E. Comm/cable TV in conduit is allowed to cross over non-parallel gas services.
- F. Service stubs to cross main trench and over electric whenever possible.
- G. Conflict to facilities will be handled according to TE0003U 17 and 12-a.
- H. Electric may cross over any utility, when a minimum cover of, 48" for primary and, 36" for secondary / service, can be maintained and a 12" minimum radial separations to all other facilities can be maintained. Note: gas must be above electric facilities and water needs a min of 24" radial separation.
- I. Gas and water to adjust depth of service to coincide with their zone at main trench depth measured from finish grade.



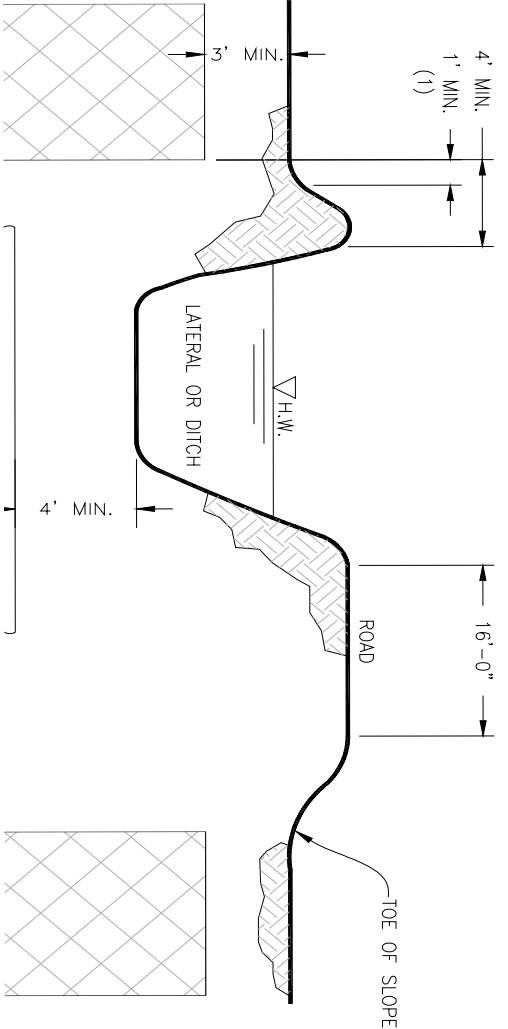
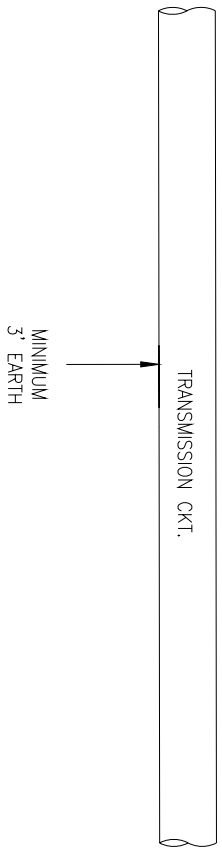
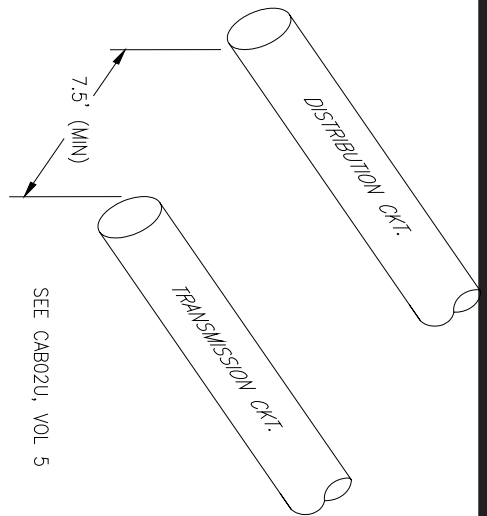
ENGINEERING & CONSTRUCTION STANDARD

**STREET CROSSING AND UTILITIES LOCATION DETAIL**



DRAWN	DESIGN	SUPR	DATE	REV
JVV	MB	DA	5/05	03

DRAWING NUMBER  
**TE0004U**  
 VOLUME 17  
 SHEET 35 OF 50



ENGINEERING & CONSTRUCTION STANDARD

## STREET CROSSING AND UTILITIES LOCATION DETAIL



DRAWN	DESIGN	SUPR	DATE	REV
JVV	MB	DA	5/05	03

SHEET 36 OF 50

VOLUME 17

DRAWING NUMBER  
**TE0004U**