

MOBILE HOME SERVICE REQUIREMENTS ELECTRIC AND GAS

1.0 INDEX

- 1.0 INDEX
- 2.0 PURPOSE
- 3.0 GENERAL
- 4.0 REFERENCE MATERIAL
- 5.0 TYPICAL UNDERGROUND UTILITY LAYOUT
- 6.0 METER PAD DETAILS
- 7.0 GENERAL INSTALLATION PROCEDURES
- 8.0 PEDESTAL SPECIFICATIONS

2.0 PURPOSE

The purpose of this standard is to outline methods of providing underground utility service to mobile homes within the service territory of Sierra Pacific Power Company (SPPC).

3.0 GENERAL

- 3.1 In the application of this standard a mobile home development shall be considered either a mobile home subdivision or mobile home park.
 - A. A mobile home subdivision consists of lots for private ownership, where the lot is owned by an individual.
 - B. A mobile home park consists of spaces for rent, where the mobile home owner rents space for his mobile home.
- 3.2 The developer is responsible for the overall design and installation coordination of the various underground facilities of his project.
- 3.3 The developer shall be responsible to contact Sierra during the design phase of his project to ensure compliance with this standard.
- 3.4 The developer must follow local codes and ordinances for requirements applicable to customer facilities from the meter pedestal to the distribution panel board within the mobile home. All NEC clearance requirements must be maintained. A 3' minimum space is required in front of any pedestal opening.
- 3.5 Main and service layout of electric and other utilities shown in this standard are to illustrate overall design and installation coordination requirements.

				
DRAWN	DESIGN	SUPR	DATE	REV
JL	JF	SJ	5/03	06

ENGINEERING & CONSTRUCTION STANDARD MOBILE HOME SERVICE REQUIREMENTS ELECTRIC & GAS
--

SHEET <u>47</u> OF <u>88</u>
VOLUME <u>17</u>
DRAWING NUMBER UM0001M

- 3.6 The developer is responsible to establish finish grade on property prior to start of construction of Sierra's facilities.
- 3.7 Developer shall provide all main trenching, excavation, and backfill in accordance with Sierra's standards and specifications. The developer shall provide, install, and maintain service conduits, meter pads and meter pedestals in accordance with Sierra's specifications. In mobile home subdivisions, the owner shall provide, install, and maintain his service conduits, conductor, meter pad, and meter pedestal.
- 3.8 The developer shall provide a permanent and clearly marked identification mark showing address or space number on each meter pedestal and gas house line.
- 3.9 For feeder facilities, the developer will provide trenching, backfill, and provide and install other material required under applicable extension rules of Nevada and/or California.
- 3.10 Sierra may furnish, install, and connect service cables and meters.
- 3.11 Within its gas service area, Sierra will furnish and install gas meters.
- 3.12 Meter pads in the immediate vicinity of driveways must be protected by steel posts as detailed on SPPC Dwg. PE0009U, "Padmounted Apparatus Barrier Posts".
- 3.13 Meter pad and utility island are defined as follows:
- A. Meter Pad - The meter pad is where electric meter pedestals and gas meters are to be installed. It shall be located in accordance with this standard and at a location so as to prevent damage to meters resulting from placement of mobile homes.
1. The developer is responsible to stake locations of meter pads. ***Locations shall be approved by Sierra.***
 2. Adjustments of meter pads and meters due to grade or staking errors shall be made by the developer or owner at his expense. Work required by Sierra to adjust our facilities will be charged to the developer.
 3. In lot sale developments, the individual owner shall own and maintain the meter pad and pedestal and all the electrical and gas facilities from the meter pad to the mobile home.
- B. Utility Island - The utility island is a central location for all customer facilities (electric, gas, water, sewer, telephone, TV, etc.) at the mobile home which allows the mobile home to be connected to those facilities.



DRAWN	DESIGN	SUPR	DATE	REV
JL	JF	SJ	5/03	06

1. Local city/county codes apply to the utility island and to the electric and gas facilities from the load (customer) side of the meter pad to the utility island. The developer or owner should consult local city/county building departments for applicable requirements.

3.14 When certain conditions are met, a mobile home is no longer classified as mobile, but considered a modular or permanent building, and treated in accordance with Sierra's Residential Service Standards and this standard no longer applies. The following conditions make it a fixed, permanent residence:

- A. It is built in accordance with the National Construction and Safety Standards.
- B. It is placed on a permanent foundation, or
- C. Its owner also owns the land on which it stands.

4.0 REFERENCES

4.1 SPPC Standards:	Vol. 17, Standard Reference
Trench Excavation Standards	TE0001U, Section 3.
Typical Trench Details	TE0003U to TE0027U, Section 3.
Trench Bedding & Backfill	SUB01X, Section 3.
Conduit Installation Guide	CD0001U, Section 4.
Conduit Application Guide	CD0004U, Section 5.

- 4.2 Other Codes & Rules:**
- National Electrical Code (NEC)
 - National Electric Safety Code (NESC)
 - Mobile Home Setup Guide, Washoe County
 - Occupational Safety & Health Administration (OSHA)
 - Uniform Plumbing Code (UPC)
 - Underwriters Laboratory (UL)

5.0 TYPICAL UNDERGROUND UTILITY LAYOUT

5.1 Electric primary and secondary cables will be installed in conduit in joint trench with telephone and cable TV. The facilities will be within the public utility easement (PUE) along the front of the lots, with street crossings as required.

5.2 Electric services shall be installed from the nearest electric box or transformer to the meter pad along side the property line within a 5 ft. PUE, see Detail #5A.

Sierra Pacific
POWER COMPANY 

DRAWN	DESIGN	SUPR	DATE	REV
JL	JF	SJ	5/03	06

ENGINEERING & CONSTRUCTION STANDARD

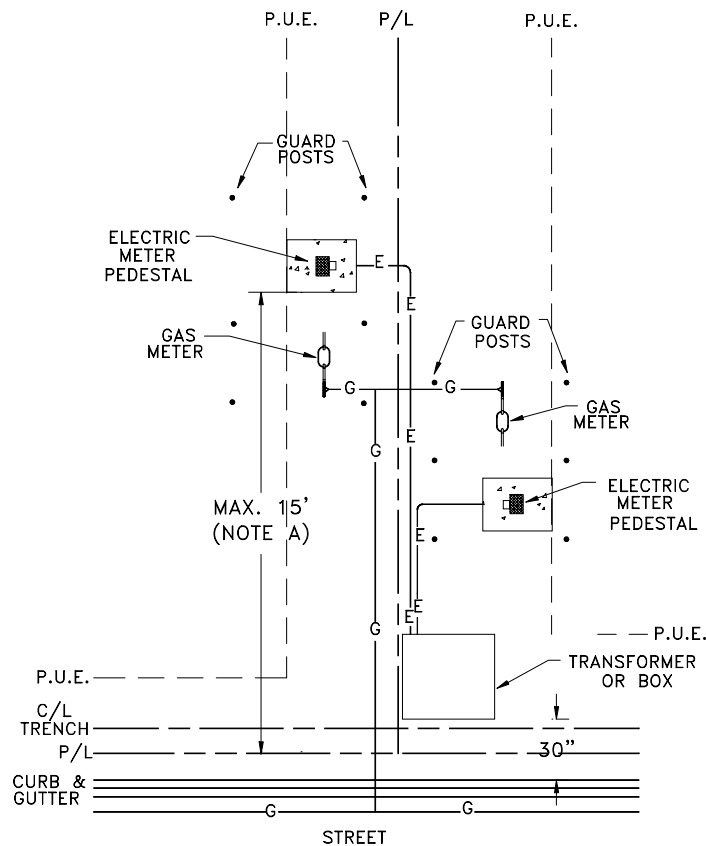
**MOBILE HOME SERVICE
REQUIREMENTS
ELECTRIC & GAS**

SHEET **49** OF **88**

VOLUME **17**

DRAWING NUMBER
UM0001M

- 5.3 Mobile home parks can install either:
- A. One electric meter pad with double meters, see Detail #5C.
For gas meter location, refer to Detail #6C.
 - B. Two electric meter pads with single meters, see Detail #5B.
For gas meter location, refer to Detail #6B.
- 5.4 Mobile home subdivisions shall install single electric meter pads for each lot. The pads may be on common lot lines, see Detail #5B. For gas meter location, refer to Detail #6B.
- 5.5 Quadruple electric meter pads may be used in mobile home parks. Approval must be received from SPPC prior to construction for correct wire sizing, see Detail #5D. For gas meter location, refer to Detail #6D.
- 5.6 Gas services shall be installed from the main located in the street. Common service trench for electric and gas shall be used to the meter pad location. See Detail #5A.
- 5.7 Any exceptions in the layout of electric and gas facilities must be approved by SPPC prior to construction.

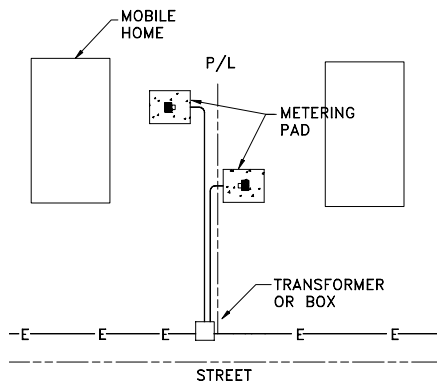


DETAIL #5A

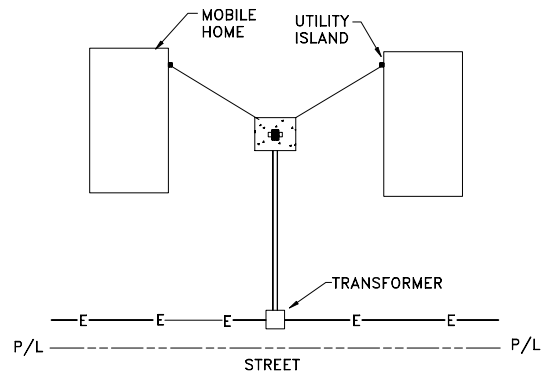
DRAWN	DESIGN	SUPR	DATE	REV
JL	JF	SJ	5/03	06

NOTES:

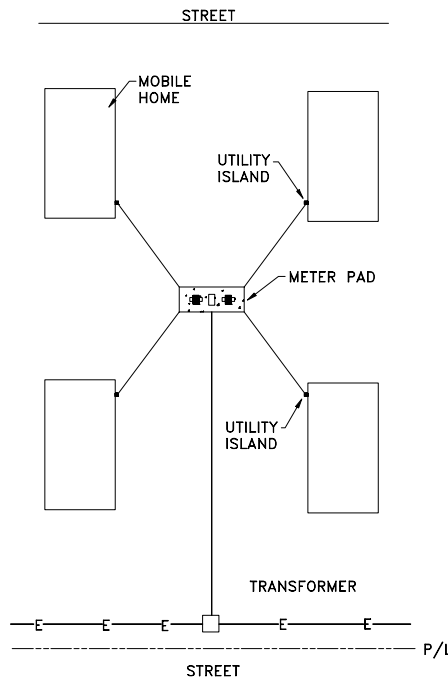
- A. Maximum 15 ft. setback from property line for metering pads. Approval from SPPC must be received prior to construction for alternate meter pad locations.
- B. Trench centerline to be 30" from back of curb for electric trenches, transformers, boxes or vaults. If sidewalk is present, trench centerline to be 24" behind sidewalk.
- C. Service trench centerline to be 30" from side property line.
- D. Meter pads to be 30" from side property line.
- E. Guard posts to be 4" standard steel primed and painted yellow. Posts to be 5'-0" long, buried 2' in concrete and filled with concrete.



DETAIL #5B



DETAIL #5C



DETAIL #5D

DRAWN	DESIGN	SUPR	DATE	REV
JL	JF	SJ	5/03	06

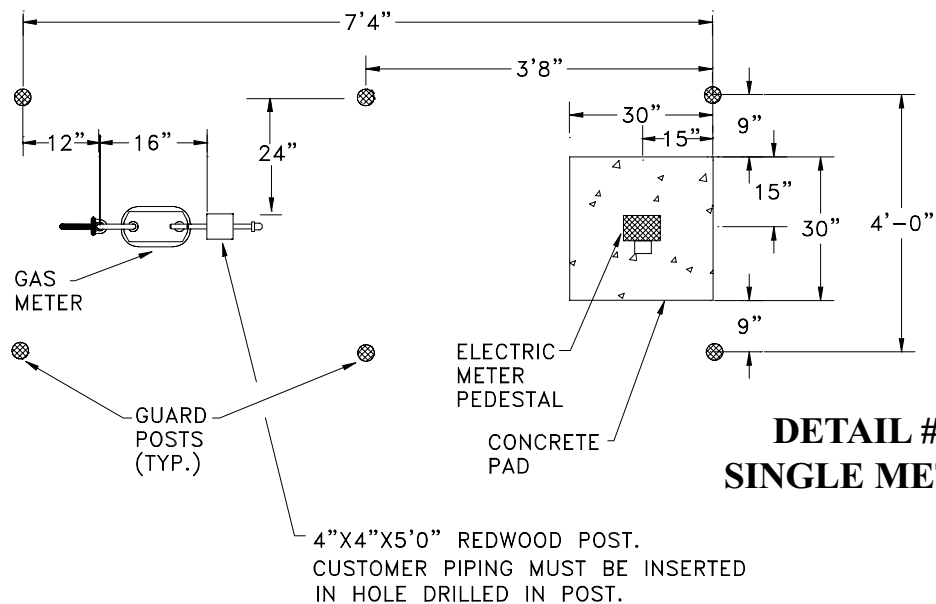
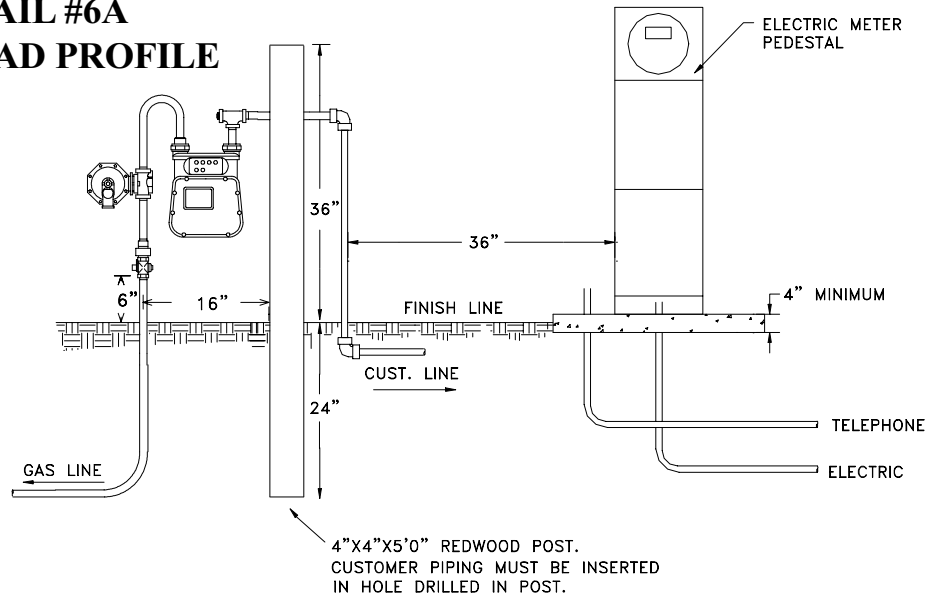
ENGINEERING & CONSTRUCTION STANDARD
MOBILE HOME SERVICE
REQUIREMENTS
ELECTRIC & GAS

SHEET 51 OF 88
 VOLUME 17
 DRAWING NUMBER
UM0001M

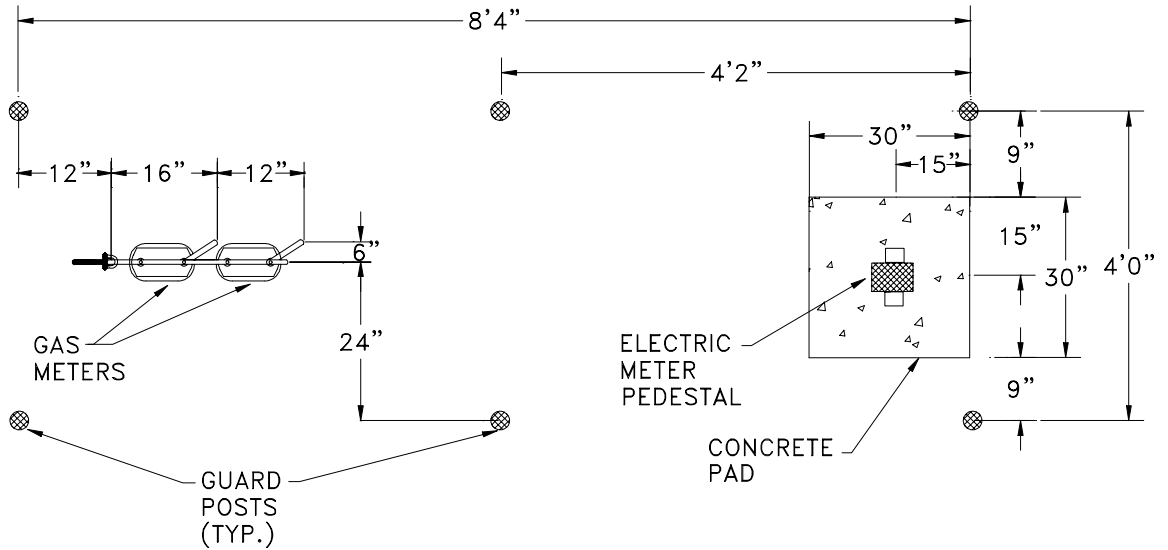
6.0 METER PAD DETAILS

- 6.1 See Details #6A, #6B, #6C, and #6D for pad layout and dimensions.
- 6.2 6" x 6" 10/10 steel mesh shall be used for reinforcing of all pads. Pads shall have a minimum thickness of 4".
- 6.3 For multiple meters, gas house lines shall be offset 6" from service riser.

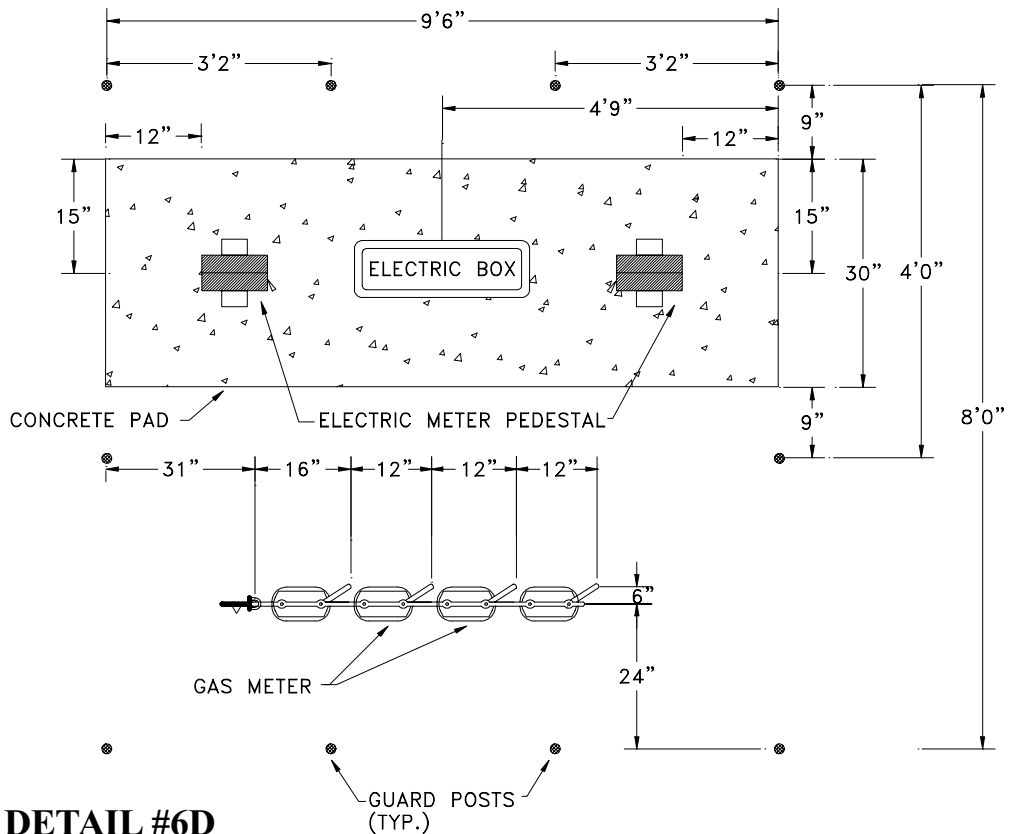
**DETAIL #6A
METER PAD PROFILE**



DRAWN	DESIGN	SUPR	DATE	REV
JL	JF	SJ	5/03	06



**DETAIL #6C
DUAL METERS**



**DETAIL #6D
QUADRUPLE METERS**

DRAWN	DESIGN	SUPR	DATE	REV
JL	JF	SJ	5/03	06

ENGINEERING & CONSTRUCTION STANDARD
**MOBILE HOME SERVICE
 REQUIREMENTS
 ELECTRIC & GAS**

SHEET 53 OF 88
 VOLUME 17
 DRAWING NUMBER
UM0001M

7.0 GENERAL INSTALLATION PROCEDURES

- 7.1 This section outlines the general procedures to follow in installing the electric and/or gas service, meter pedestals and pads.
- 7.2 The developer/owner obtains SPPC's approval on utility layout prior to construction. ***SPPC will designate the service locations.***
- 7.3 The developer/owner provides all trenching, excavation and backfill in accordance with SPPC's standards.
- 7.4 Any service conduit/pipe is provided and installed by developer/owner as specified by SPPC.
- 7.5 The developer/owner backfills trench to the level of joint utility before joint facilities are installed.
- 7.6 The developer/owner in the general sequence listed below, will then install the electrical grounding system at the meter pad, the meter pedestal and the electric line from the meter pad to the mobile home.
- A. Install the electrical ground and bare copper grounding conductor. The grounding conductor shall not be connected to the gas pipe system.
 - B. Install the customer electric line (or conduit) from meter pad location to mobile home connection point (Utility island).
 - C. Install the gas service house line.
 - D. Remove the pull section panel of meter pedestal to allow service cable to extend through pedestal. Carefully place pedestal over SPPC's electric conduit and customer's electric conduit. Position meter pedestal as required and plumb and level pedestal. See Details #6A, #6B, #6C, and #6D.
 - E. Backfill the installation and compact meter pad subgrade to 90%. Form and pour the concrete pad. The concrete pad should extend approximately two inches above finish grade.
 - F. Connect the grounding conductor to the accessible grounding lug inside the pedestal. Ground the pedestal by connecting the accessible grounding lug to the neutral service terminal landing lug.
 - G. Connect the customer's electric line.
 - H. Call for city/county inspection of electric and gas installation, as required.
- 7.7 Upon approval by inspecting authority, SPPC will connect the electric service conductors to the landing lugs in the meter pedestal, install and seal the pull section panel, and blank off and seal the meter socket ring.

7.8 SPPC will set the electric and gas meter upon application for service.

8.0 METER PEDESTAL SPECIFICATIONS

- 8.1 The meter pedestal shall have a minimum rating of 100 amperes and ***shall face the street or point of access***. Construction, material, corrosive-resistant finish shall be approved by the Underwriters Laboratory (UL).
- 8.2 The meter socket base shall be UL recognized and provided with a sealing ring. The socket shall be factory-wired with the conductors in a separate or barriered raceway from the utility's terminating lugs to the meter socket. These conductors shall be inaccessible from the main disconnect and power outlet section. The conductors which extend to the meter socket shall be connected at the utility's terminating lugs independently of the connection for the customer's conductors. The minimum meter height is 36" above grade line when the meter is enclosed, or 48" minimum if exposed.
- 8.3 The customer's main disconnect and power outlet section shall have barriers installed to prevent access to the utility's cable pull and terminating section and to unmetered conductors which connect to the socket.
- 8.4 The utility's cable pull and terminating section shall be covered with a sealable and removable panel or panels, extending from 2" to 6" above grade, and when removed, give full access to the utility's terminating lugs. Access to the terminating lugs may be from either the front or the rear of the post. Access shall not be restricted by load conduits or raceways.
- 8.5 A minimum 12" opening shall be maintained from the terminating lugs to any fixed panel below the lugs. The minimum lug height is 18" above grade line; the maximum is 48". The terminating lugs shall be twin No. 2 to 350 kcm aluminum bodied pressure type for connection of the service lateral conductors. The space between terminating lugs, from lugs to sides of post, or from lugs to panel above shall be 1½" minimum. Rigid insulating barriers are required and shall project ¼" minimum beyond any energized parts if this space is less than 1½". Terminating lugs may be positioned either in-line or staggered. The neutral terminating lug shall be bondable to the post.
- 8.6 An accessible grounding lug shall be provided for a minimum #6 to 1/0 AWG grounding conductor.
- 8.7 The post shall have a minimum cross sectional dimension of 4" x 8" inside diameter. A fixed panel shall extend 2" minimum and 5" maximum above grade, and 18" minimum below grade.



DRAWN	DESIGN	SUPR	DATE	REV
JL	JF	SJ	5/03	06

ENGINEERING & CONSTRUCTION STANDARD

MOBILE HOME SERVICE REQUIREMENTS ELECTRIC & GAS

SHEET **55** OF **88**

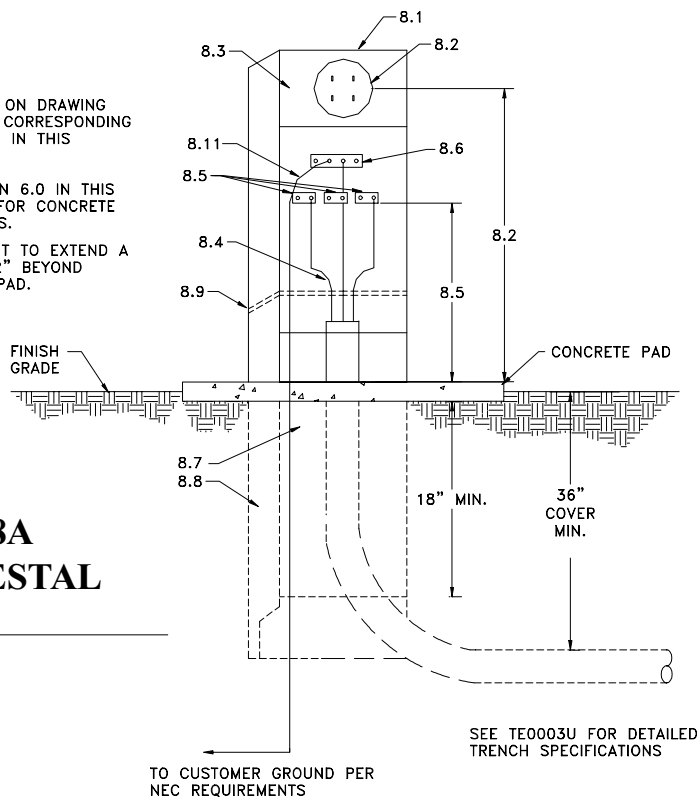
VOLUME **17**

DRAWING NUMBER
UM0001M

- 8.8 The minimum depth of the post in the ground shall be 24" with openings at the base to permit the service lateral conduit or conductors to sweep into the post.
- 8.9 A moisture barrier, located below all terminals and other live parts, or adequate ventilation, shall be provided to inhibit the condensation of moisture.
- 8.10 For authorization to attach telephone and cable TV termination facilities, consult SPPC.
- 8.11 Local codes must be followed for grounding requirements. Lugs for terminating the users ground wire (per A & B below), shall be located outside of the sealable termination section. This may be achieved by being located in a barriered raceway or installed on the outside of the meter pedestal. A minimum ground shall consist of a continuous bare copper grounding conductor extending from the neutral service terminal landing lug to a grounding electrode, which may be either:
 - A. Ufer type ground as per National Electric Code, Article 250-66.
 - B. Metallic underground water piping system (not gas) with a minimum buried portion of 10'. If the buried portion of the metallic water piping system is less than 10' in length, it shall be supplemented with a 5/8" x 8' copper clad ground rod.

NOTES:

- A. NUMBERING ON DRAWING REFERS TO CORRESPONDING SUBSECTION IN THIS STANDARD.
- B. SEE SECTION 6.0 IN THIS STANDARD FOR CONCRETE PAD DETAILS.
- C. ALL CONDUIT TO EXTEND A MINIMUM 12" BEYOND CONCRETE PAD.



**DETAIL #8A
METER PEDESTAL**

SEE TE0003U FOR DETAILED TRENCH SPECIFICATIONS



ENGINEERING & CONSTRUCTION STANDARD

SHEET 56 OF 88

**MOBILE HOME SERVICE
REQUIREMENTS
ELECTRIC & GAS**

VOLUME 17

DRAWING NUMBER
UM0001M

DRAWN	DESIGN	SUPR	DATE	REV
JL	JF	SJ	5/03	06