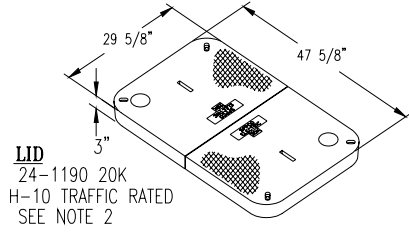


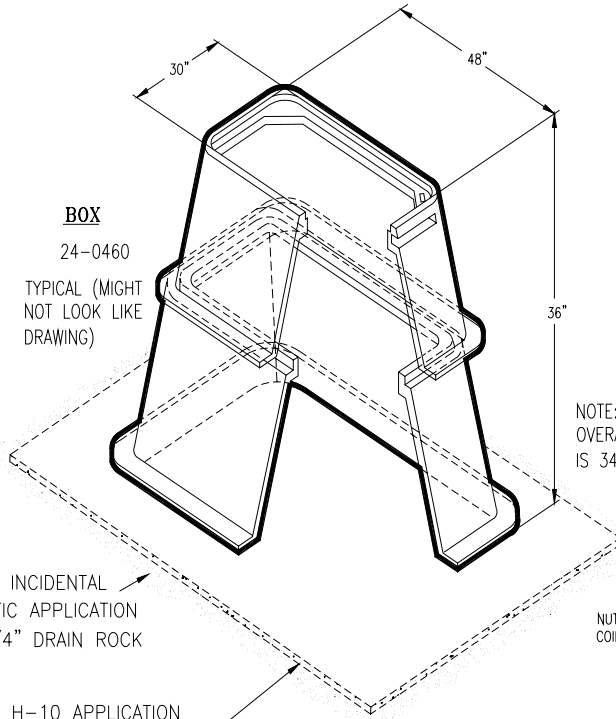
30" X 48" BOX H-10 TRAFFIC ISOMETRIC DETAIL

CONSTRUCTION NOTES

1. BOX TO BE USED IN:
H-10/NON/INCIDENTAL TRAFFIC RATED AREAS. SEE TE0001U, SECTION 2.
2. INSTALLATIONS:
NON/INCIDENTAL RATED BOX TO BE PLACED ON 6" OF 3/4" DRAIN ROCK.
H-10: BOX TO BE INSTALLED ON A 1-1/2" CONCRETE BASE, Poured ON 6" OF TYPE 2 BASE MATERIAL COMPACTED AT 95%. SEE TE0020U, "BOX PLAN VIEW".
3. ALL LIDS/COVERS TO BE MARKED "SPPCO ELECTRIC".
5. LID TO BE SECURED WITH PENTA HEAD COIL TYPE BOLTS. SEE DETAIL "A".
6. ONE LID NUMBER EQUALS TWO HALVES.



LID
24-1190 20K
H-10 TRAFFIC RATED
SEE NOTE 2

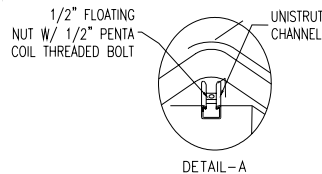


BOX
24-0460
TYPICAL (MIGHT NOT LOOK LIKE DRAWING)

NOTE: HEIGHT OVERALL OF BOX IS 34-36"

NON/ INCIDENTAL TRAFFIC APPLICATION
6" 3/4" DRAIN ROCK

H-10 APPLICATION BOX INSTALLED ON CONCRETE BASE 1-1/2"
SEE NOTE 2.



NOTE: INCIDENTAL & LIGHT TRAFFIC ONLY, USE 504 VAULT FOR STREETS AND HIGHWAYS.

MAXIMUM CONDUCTORS

30 X 48 BOX	MAX RUNS	≤ 750 TX OR QX	≤ 350 TX OR QX
1PHASE	6	2	4
3PHASE	6	2	4

NOTE: REFER TO CAB 09U VOLUME 5 FOR COMPLETE APPLICATION

STK#	DESCRIPTION	WEIGHT (LBS)
24-0460	POLYMER BOX 34-36" DEEP	300
24-1190	LID 20K H-10 RATED POLYMER 2 PC.	96 EACH



ENGINEERING & CONSTRUCTION STANDARD

SHEET 9 OF 46

**30" X 48" BOX
H-10 TRAFFIC
NON-CONCRETE**

VOLUME 17

DRAWING NUMBER
VB0060U

DRAWN	DESIGN	SUPR	DATE	REV
JVV	MB	DA	2/08	4

**THIS PAGE LEFT
INTENTIONALLY BLANK**

Sierra Pacific
POWER COMPANY



ENGINEERING & CONSTRUCTION STANDARD

SHEET 10 OF 46

**30" X 48" BOX
H-10 TRAFFIC
NON-CONCRETE**

VOLUME 17

**DRAWING NUMBER
VB0060U**

DRAWN	DESIGN	SUPR	DATE	REV
JVV	MB	DA	2/08	4