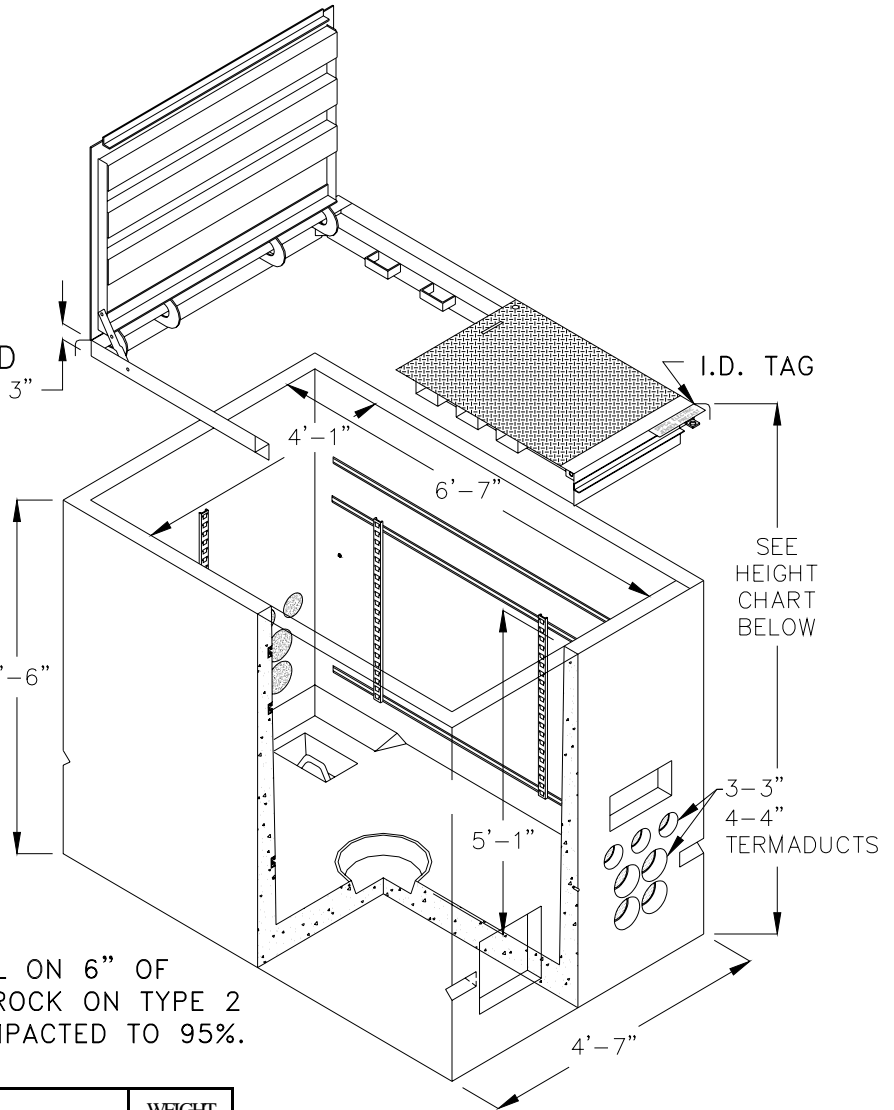


557 VAULT ISOMETRIC DETAIL

LID "C"

24-1166

NON-TRAFFIC RATED



557 VAULT
24-1045

NOTE: INSTALL ON 6" OF
3/4" DRAIN ROCK ON TYPE 2
BACKFILL COMPACTED TO 95%.

STK#	DESCRIPTION	WEIGHT (LBS)
24-1045	557 VAULT	7500
24-0050	6" EXTENSION optional	787
24-0466	18" EXTENSION optional	1407
24-1167	LID "A" H-10 full opening spring assisted	794
24-1295	LID "B" H-20 full opening lift out	4086
24-1290	LID "B-1" H-20 3' manhole comes w/18" ext.	1285
24-0466	operated non loadbreak	1407
24-1166	LID "C" NON TRAFFIC RATED STEEL full opening spring assisted	600

HEIGHT OF VAULT WITH CORRESPONDING LIDS	LADDER LENGTH	HEIGHT W/ 6" EXTENSION	LADDER LENGTH W/6" EXT
5'-9" WITH LID A and C	5'-2"	6'-5"	5'-8"
6'-2" WITH LID B	5'-6"	6'-8"	6'
8'-5" WITH LID B-1 & 18" EXT	7'	8'-11"	STEP RUN
5'-7" WITH LID C-1	N/A	N/A	N/A



ENGINEERING & CONSTRUCTION STANDARD

SHEET 17 OF 46

**557 VAULT
CONCRETE PRIMARY
49" X 79" X 61" I.D.**

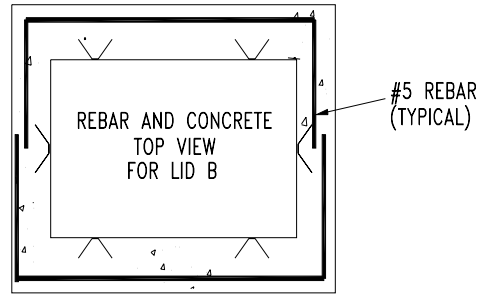
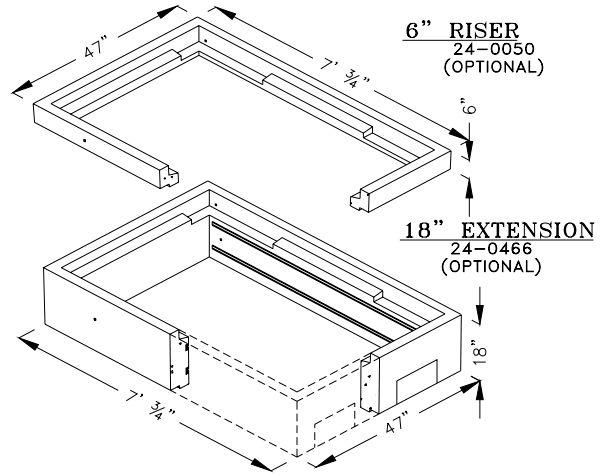
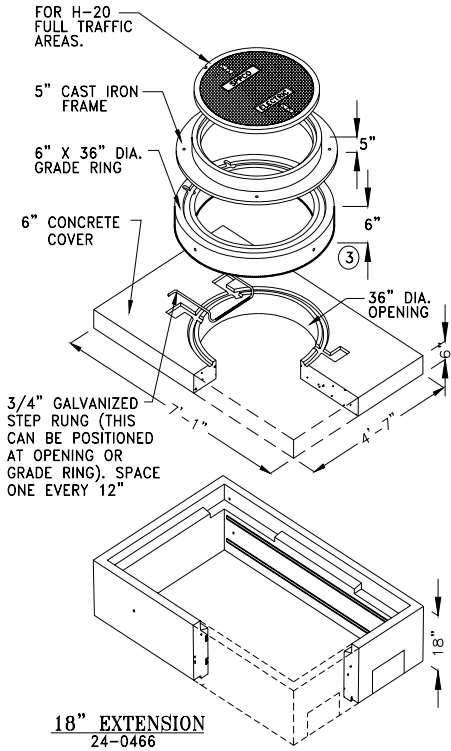
VOLUME 17

DRAWING NUMBER
VB0071U

DRAWN	DESIGN	SUPR	DATE	REV
JVV	MB	DA	10/07	03

LID B-1

24-1290 & 18" EXT 24-0466
 (FOR AREAS TO BE PAVED)
 (H-20 RATED)

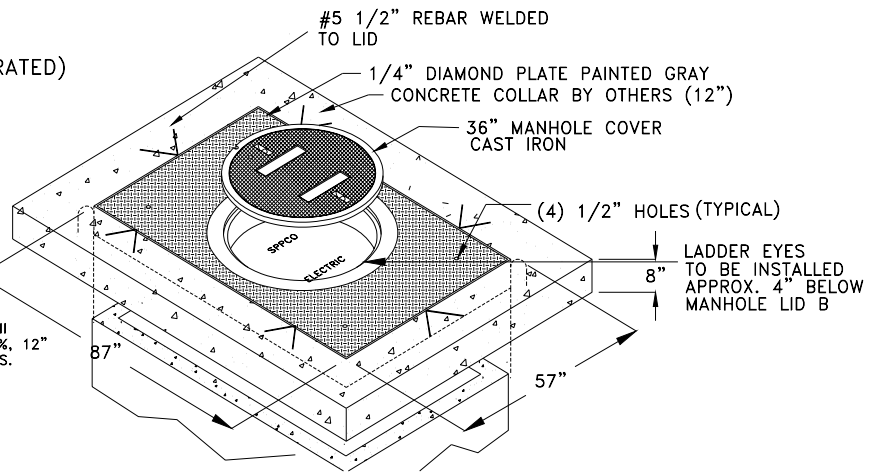
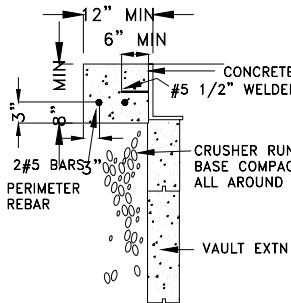


NOTE: 18" EXTENSION COMES WITH LID "B-1"

LID B

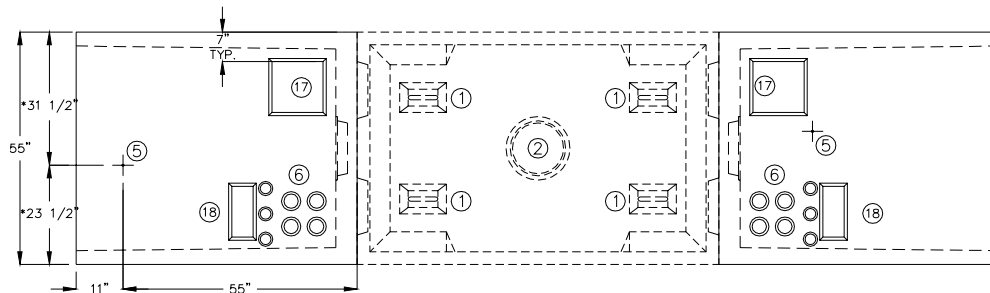
24-1295
 (H-20 TRAFFIC RATED)

REBAR AND CONCRETE
 CUTAWAY VIEW
 FOR LID B

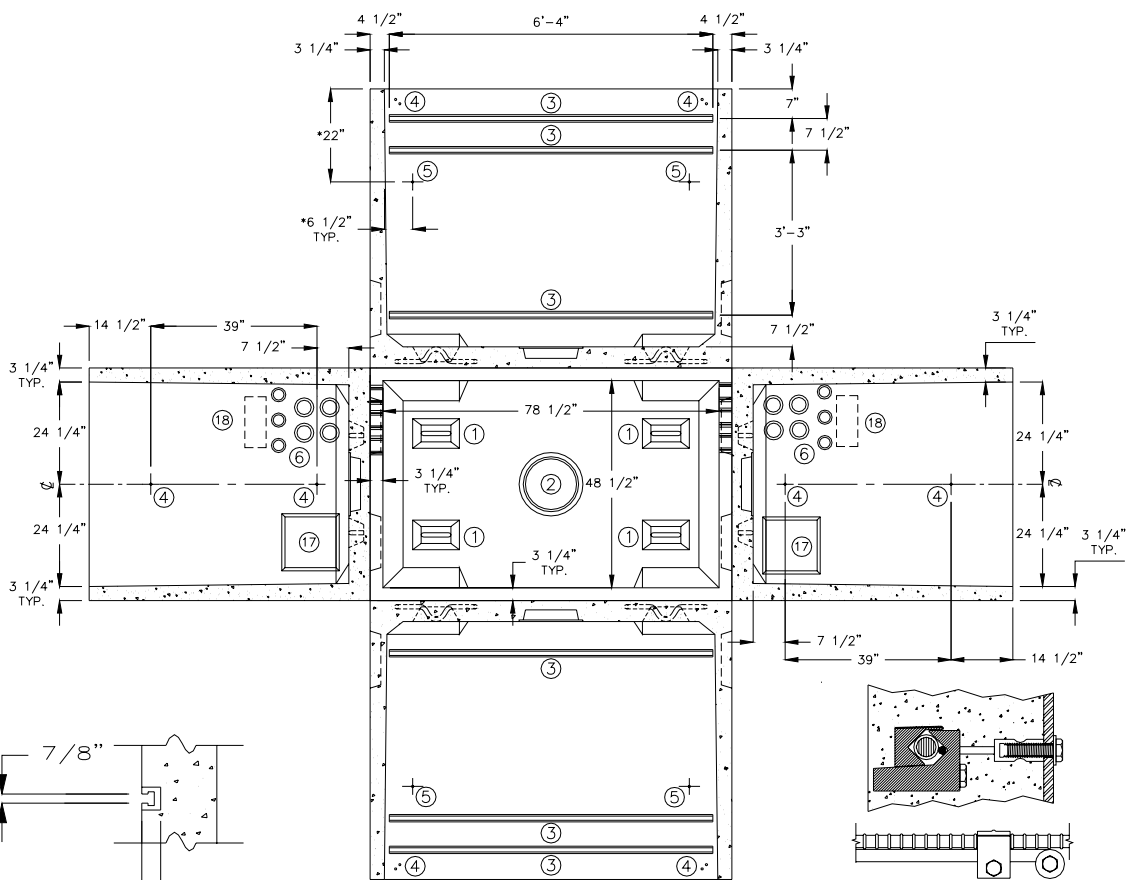


DRAWN	DESIGN	SUPR	DATE	REV
JVV	MB	DA	10/07	03

557 VAULT EXPANDED VIEWS



OUTSIDE EXPANDED



INSIDE EXPANDED

UNISTRUT
DETAIL "A"

GROUND INSERT
DETAIL "B"

COPPER PIGTAIL TO BE SECURED
TIGHTLY TO REINFORCING BAR
WITH CLAMP BEFORE POURING
CONCRETE.



ENGINEERING & CONSTRUCTION STANDARD

SHEET 19 OF 46

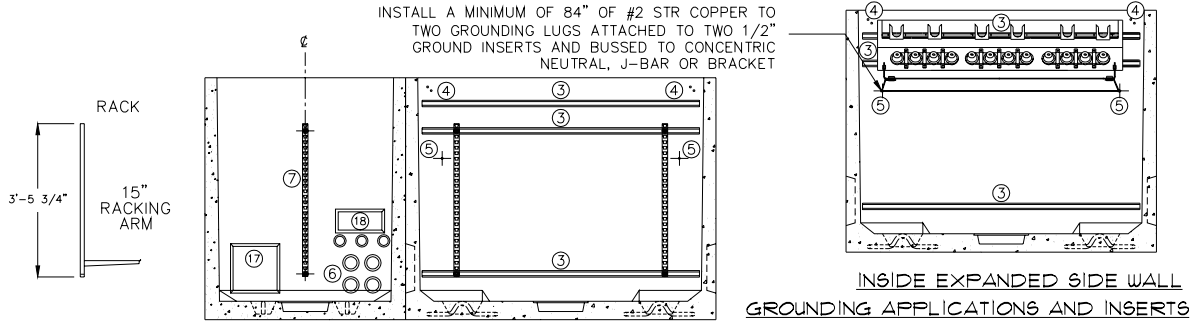
557 VAULT
CONCRETE PRIMARY
49" X 79" X 61" I.D.

VOLUME 17

DRAWING NUMBER
VB0071U

DRAWN	DESIGN	SUPR	DATE	REV
JVV	MB	DA	10/07	03

GROUNDING GRID INSTALLATION DETAIL



INSIDE EXPANDED SIDE & END WALLS
RACK APPLICATIONS WITH ARMS

MAXIMUM CONDUCTORS AND J-BARS				
VAULT 557	200 AMP PRIMARY	600 AMP PRIMARY	SECONDARY	J BARS 3, 4 OR 5 WAY
	LID C-1 12 WIRES LIDS A, B, B-1, & C 14 WIRES	N/A	1 SET ≤ 350 QX OR TX	3 TOTAL
NOTE: REFER TO CAB09U VOLUME 5 FOR COMPLETE APPLICATION				

MATERIAL LIST <i>supplied by Vault Manufacturer</i>		
	DESCRIPTION	QTY
1.	PULLING IRON	4
2.	12" DIAMETER SUMP	1
3.	76" LONG UNISTRUT	6
4.	1/2" RACKING INSERT	12
5.	1/2" GROUNDING INSERT, 4 inside - 2 outside	6
6.	3" DUCT TERMINATOR (each end) 4" DUCT TERNIMATOR	4 8
7.	28 HOLE RACK (41 3/4" LONG)	6
8.	SPRING NUT	8
9.	1/2 X 1 1/2" BOLT	13
10.	1/2" WASHER	12
11.	1/2" BRASS GROUND WASHER, 1 top outside	1
12.	15" ARM	6
13.	LADDER UP	1
14.	LADDER size options on sheet one	1
15.	MOUNTING BRACKETS WITH LID "C-1"	4
16.	ADJUSTABLE BRACKET CLIPS WITH LID "B-1"	2
17.	12" X 12" KNOCKOUT	2
18.	6" X 12" KNOCKOUT	2

557 VAULT CONSTRUCTION NOTES

- Vault to be used for H-20 traffic design loading. All live loads shall be for HS-20 -44 (MS-18) as per AASHTO Standard Specification, Div 1, Sec.3
Note: If lid B-1 is used a minimum of 12 inches of vault cover is required.
- Vault excavation and backfill to conform to SPPCo. Specification SUB01X.
- Butyl rubber or neoprene gasket seal required between vault sections and/or extensions.
- Additional 6" extension needed if vault is placed in or adjacent to collector or major street right of way.
- Unistrut (See detail A) or 1/2" inserts will be cast into vault.
- Lids to be marked "SPPCo Electric"
- All weights to be clearly marked
- Cable steps: 6-15" steps are supplied with vault.
- Grounding: See expanded view for grounding applications and inserts.
- Ladder and ladder-up required, See SPPCo. Standard VB105U.
- Ladder mounting eyes to be installed



ENGINEERING & CONSTRUCTION STANDARD

SHEET 20 OF 46

**557 VAULT
CONCRETE PRIMARY
49" X 79" X 61" I.D.**

VOLUME 17

DRAWN	DESIGN	SUPR	DATE	REV
JVV	MB	DA	10/07	03

DRAWING NUMBER
VB0071U