

818 VAULT ISOMETRIC DETAIL

LID "B"
 24-0002
 102-½" X 60-½"
 EQUIPMENT ACCESS COVER
 SUPPLIED WITH VAULT

12" RISER
 24-0739

818 VAULT
 24-1065

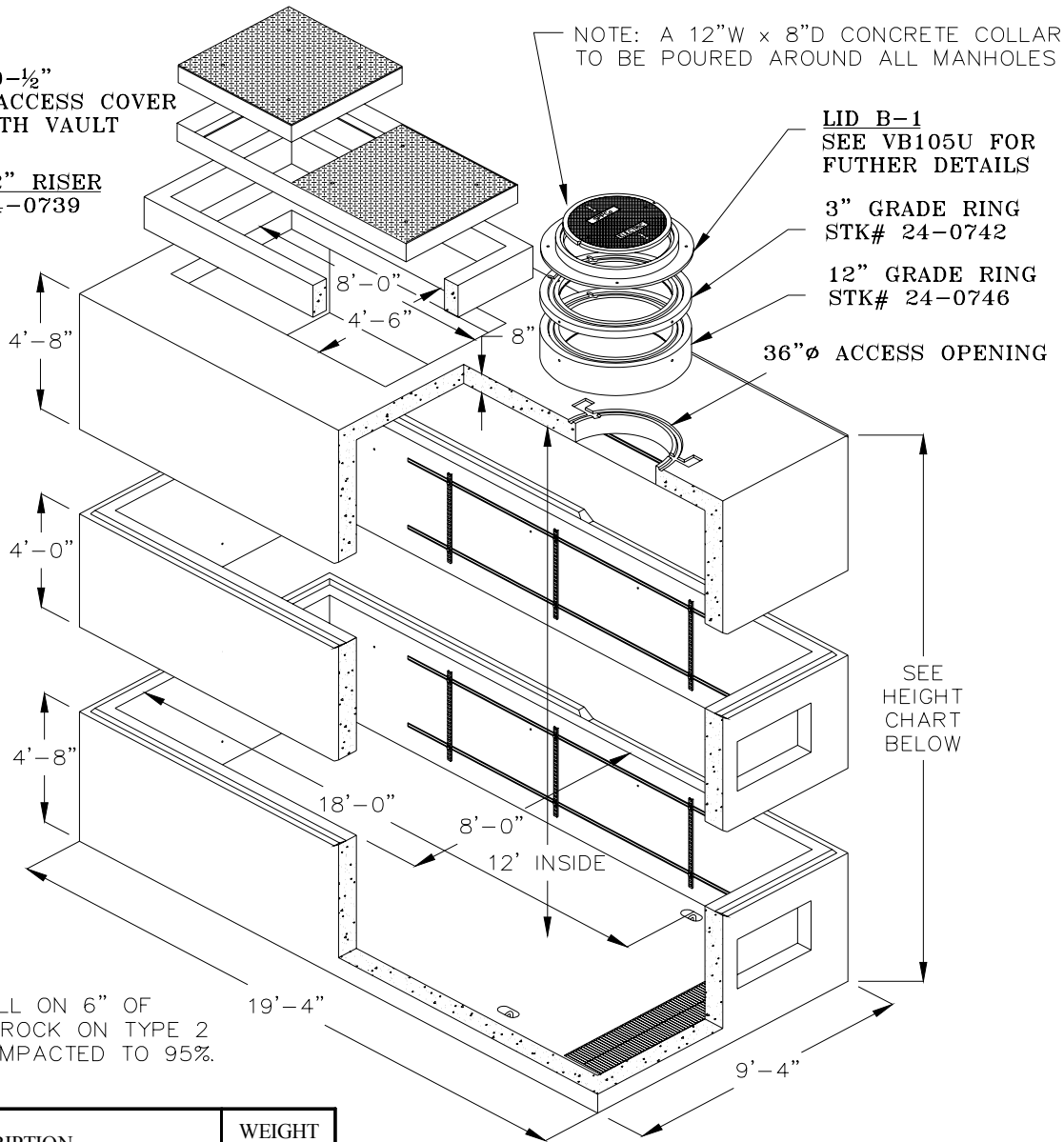
NOTE: A 12"W x 8"D CONCRETE COLLAR TO BE POURED AROUND ALL MANHOLES

LID B-1
 SEE VB105U FOR
 FUTHER DETAILS

3" GRADE RING
 STK# 24-0742

12" GRADE RING
 STK# 24-0746

36"Ø ACCESS OPENING



NOTE: INSTALL ON 6" OF
 3/4" DRAIN ROCK ON TYPE 2
 BACKFILL COMPACTED TO 95%.

SEE
 HEIGHT
 CHART
 BELOW

STK#	DESCRIPTION	WEIGHT (LBS)
24-1065	818 VAULT	82,000
24-0739	12" RISER for lid B	1,993
24-0002	LID B H-20 equipment	5,200
24-1215	LID B-1 H-20 3' manhole	800
24-0746	12" GRADE RING for MH	682
24-0744	6" GRADE RING for MH	341
24-0742	3" GRADE RING for MH	166
24-1340	LID D GRATE maint only	700

HEIGHT OF VAULT WITH CORRESPONDING LIDS	LADDER LENGTH
15'-0" WITH LIDS B & B-1	14'
NOTE: VAULT INCLUDES 12" RISER, LIDS B & B-1, AND 3" AND 12" GRADE RINGS FOR LID B-1	

Sierra Pacific
 POWER COMPANY

ENGINEERING & CONSTRUCTION STANDARD

SHEET 31 OF 46

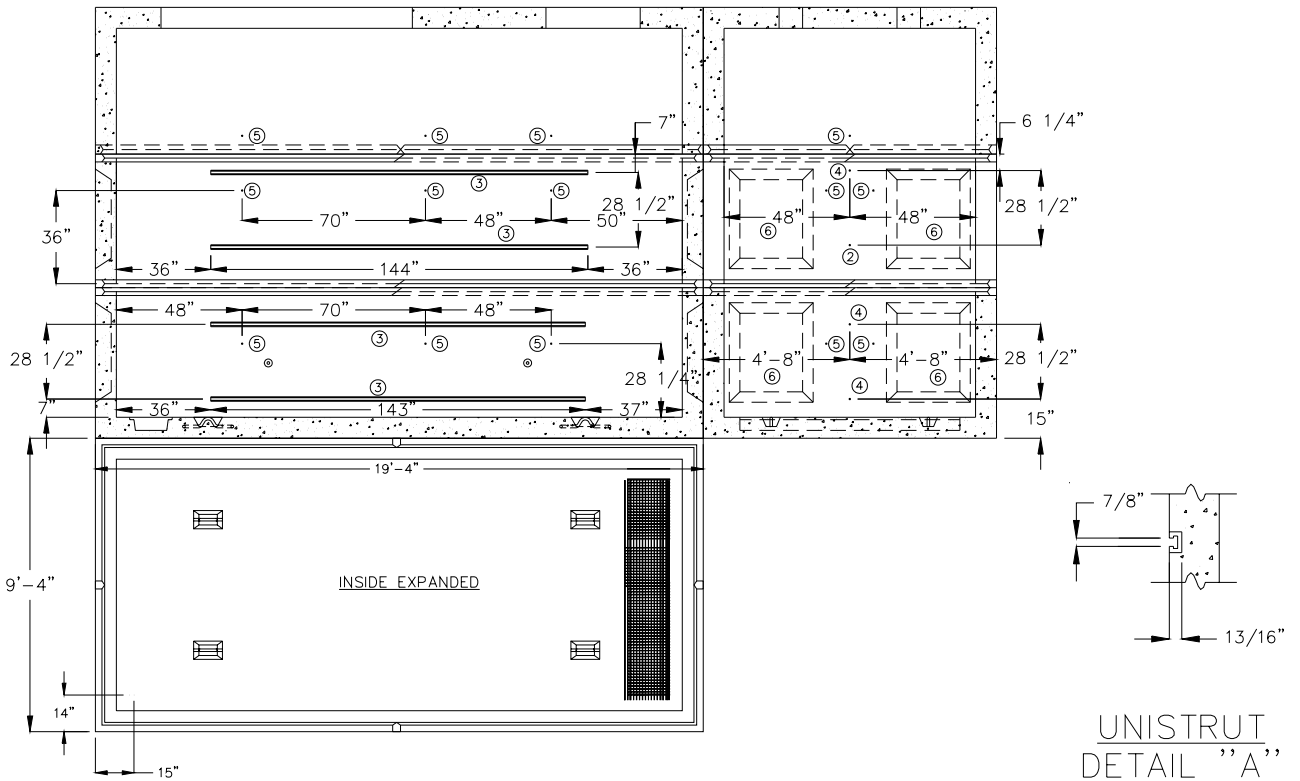
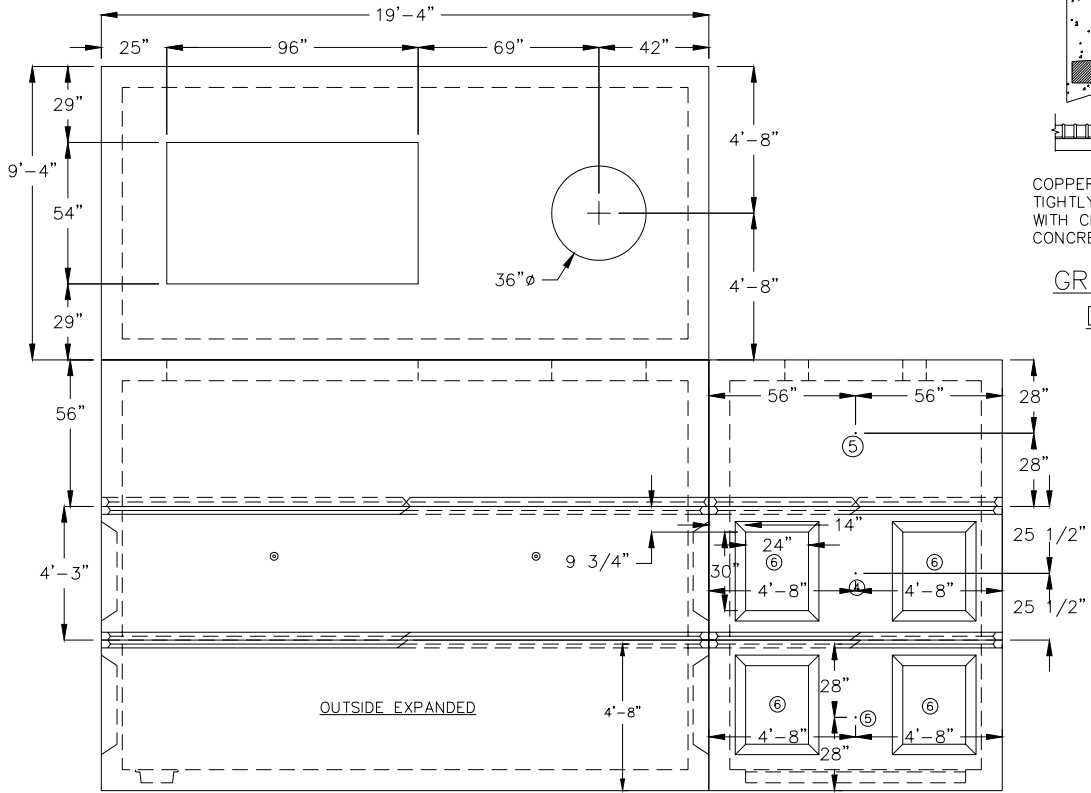
818 VAULT
CONCRETE PRIMARY
8' X 18' X 12' I.D.

VOLUME 17

DRAWING NUMBER
VB0095U

DRAWN	DESIGN	SUPR	DATE	REV
JVV	MB	DA	10/07	5

818 VAULT EXPANDED VIEWS



Sierra Pacific
POWER COMPANY

ENGINEERING & CONSTRUCTION STANDARD

SHEET 32 OF 46

818 VAULT

CONCRETE PRIMARY

VOLUME 17

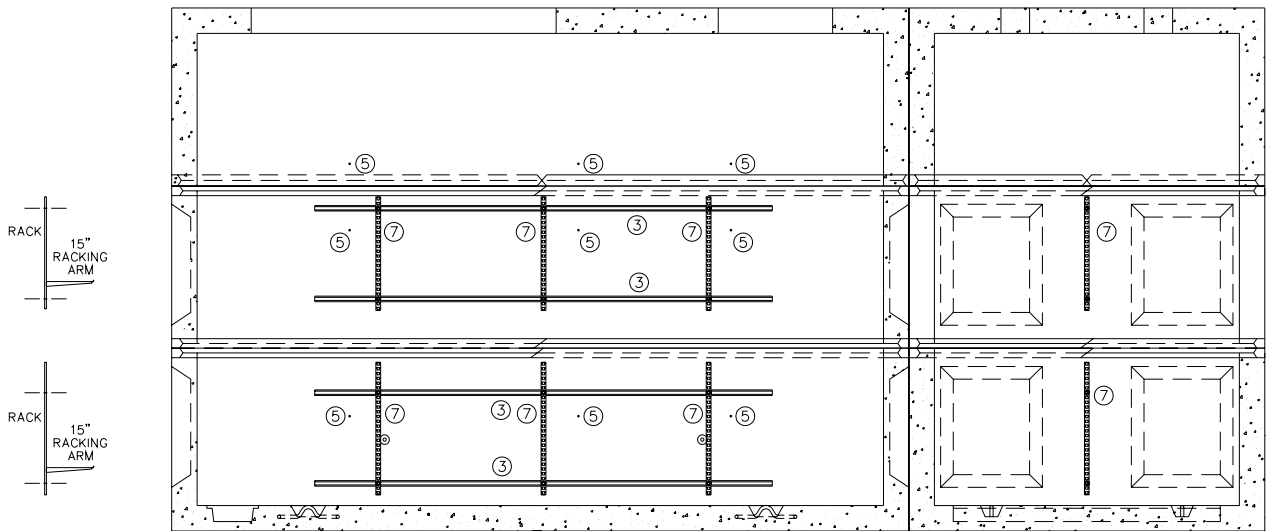
8' X 18' X 12' I.D.

DRAWING NUMBER

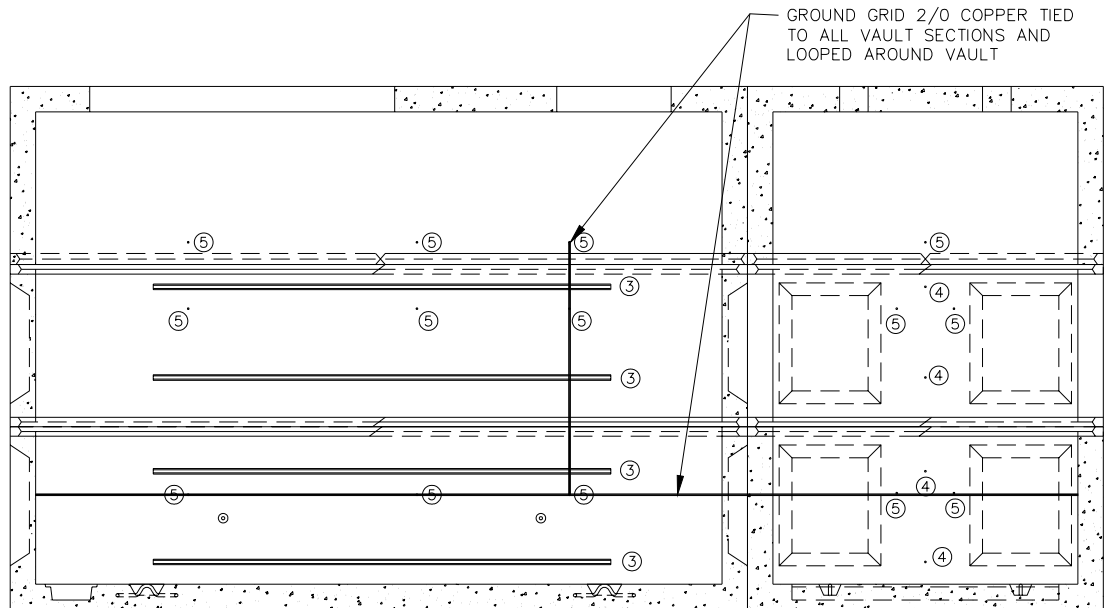
VB0095U

DRAWN	DESIGN	SUPR	DATE	REV
JVV	MB	DA	10/07	5

GROUNDING GRID INSTALLATION DETAIL



INSIDE EXPANDED SIDE & END WALL
RACK APPLICATIONS WITH ARMS



INSIDE EXPANDED SIDE WALL
GROUNDING APPLICATIONS AND INSERTS

EQUIPMENT INSTALLATION GROUNDING GRID:
INSTALL 62' OF 2/0 COPPER GROUND GRID. TIE TO ALL SECTIONS AND LOOP THROUGH 12 GROUNDING LUGS ATTACHED TO 1/2" GROUNDING INSERTS AROUND VAULT AND BUS TO TRANSFORMER, SWITCH, CONCENTRIC NEUTRAL, J-BAR OR BRACKET.



ENGINEERING & CONSTRUCTION STANDARD

SHEET 33 OF 46

**818 VAULT
 CONCRETE PRIMARY
 8' X 18' X 12' I.D.**

VOLUME 17

DRAWING NUMBER
VB0095U


DRAWN	DESIGN	SUPR	DATE	REV
JVV	MB	DA	10/07	5

818 VAULT CONSTRUCTION NOTES:

- Vault to be used for H-20 traffic design loading. All live loads shall be for HS-20 - 44 (MS-18) as per AASHTO Standard Specification, Div 1, Sec.3
Note: A minimum of 12 inches of vault cover is required.
- Vault excavation and backfill to conform to SPPC Specification SUB01X.
- Butyl rubber or neoprene gasket seal required between vault sections and/or extensions.
- Extensions and risers will be installed on all vaults.
- Unistrut (See detail A) or 1/2" inserts will be cast into vault.
- Lids to be marked "SPPC Electric"
- All weights to be clearly marked
- 16 -15" steps are supplied with vault.
- Grounding: See expanded view for grounding applications and inserts.
- 2/0 CU (# 17-0910) grounding grid is required in this vault.
- Ladder and ladder-up required, See SPPC Standard VB105U.
- Middle section is optional.
- Delivery of this vault requires coordination with the vault manufacturer.

MATERIAL LIST <i>supplied by Vault Manufacturer</i>		
DESCRIPTION		QTY
1.	PULLING IRON 2 per corner	8
2.	12" X 84" SUMP W/grate 2 sections	1
3.	12' LONG UNISTRUT side walls	8
4.	1/2" RACKING INSERT	8
5.	1/2" GROUNDING INSERT, 28 inside - 6 outside	34
6.	24" X 30" KNOCKOUT	8
7.	24 HOLE RACK (35 3/4" LONG) extension	8
	28 HOLE RACK (41 3/4" LONG) base	8
9.	SPRING NUT	24
10.	1/2 X 1 1/2" BOLT	33
11.	1/2" WASHER	34
12.	1/2" BRASS GROUND WASHER, 1 top outside	1
13.	15" ARM	16
14.	LADDER UP	1
15.	LADDER size options on sheet one	1

MAXIMUM CONDUCTORS AND J-BARS					
VAULT	200 AMP PRIMARY	600 AMP PRIMARY	SECONDARY	EQUIPMENT	J BARS 3, 4 OR 5 WAY
818	48 24	0 24	4 SET ≤ 750 QX OR TX	1 ≤ 225 KVA 2-6 POS SWITCHES	3 TOTAL CHECK WITH OPERATIONS
NOTE: REFER TO CAB09U VOLUME 5 FOR COMPLETE APPLICATION					

					ENGINEERING & CONSTRUCTION STANDARD			SHEET 34 OF 46	
					818 VAULT			VOLUME 17	
					CONCRETE PRIMARY			DRAWING NUMBER	
					8' X 18' X 12' I.D.			VB0095U	
DRAWN	DESIGN	SUPR	DATE	REV					
JVV	MB	DA	10/07	5					