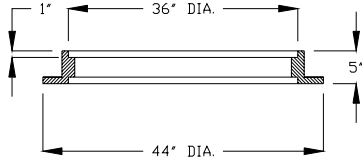
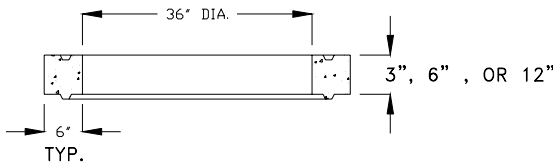


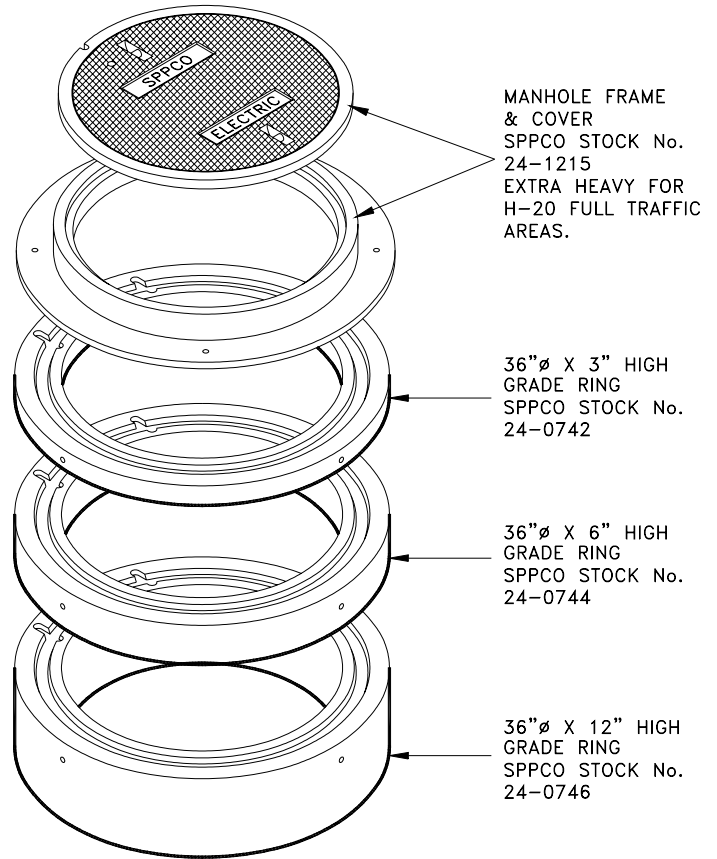
# MANHOLE RISERS AND COVER DETAILS



36" DIA. CAST IRON FRAME



GRADE RING SECTION VIEW



MANHOLE FRAME & COVER  
SPPCO STOCK No. 24-1215  
EXTRA HEAVY FOR H-20 FULL TRAFFIC AREAS.

36"  $\phi$  X 3" HIGH GRADE RING  
SPPCO STOCK No. 24-0742

36"  $\phi$  X 6" HIGH GRADE RING  
SPPCO STOCK No. 24-0744

36"  $\phi$  X 12" HIGH GRADE RING  
SPPCO STOCK No. 24-0746

**NOTES:**

1. FRAME WILL ACCOMODATE VENTED COVER.
2. 42" OPENINGS: JENSEN PRECAST SPECIAL ORDER.

STK#	DESCRIPTION	WEIGHT (LBS)
24-1215*	MANHOLE FRAME AND COVER	800
24-0742*	36" DIA. X 3" HIGH GRADE RING	166
24-0744	36" DIA. X 6" HIGH GRADE RING	341
24-0746* (a)	36" DIA. X 12" HIGH GRADE RING	682
* THESE COMPONENTS ARE CALLED OUT AS STK# 24-1305		
(a) INCLUDES 14-1/2" STEP RUN		



ENGINEERING & CONSTRUCTION STANDARD

SHEET 43 OF 46

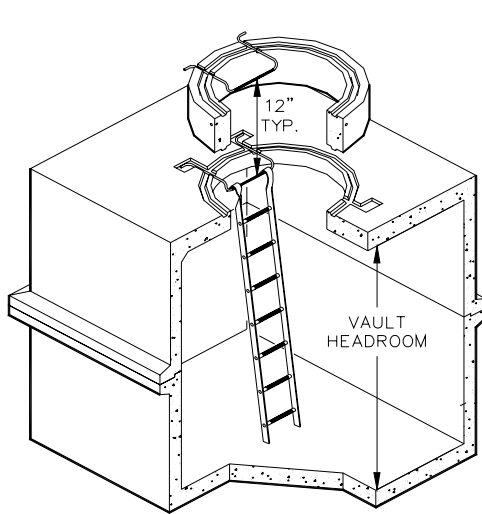
**LADDER, LADDER-UP,  
STEP RUNG & MANHOLE  
RISERS & COVER**

VOLUME 17

DRAWING NUMBER  
**VB0105U**

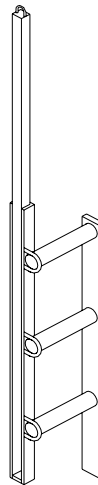
DRAWN	DESIGN	SUPR	DATE	REV
JVV	JVV	SJ	05/02	01

# LADDER, LADDER-UP, & STEP RUNG DETAILS

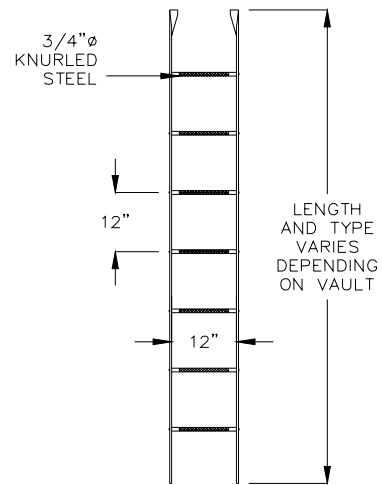


TYPICAL  
INSTALLATION  
LID B-1

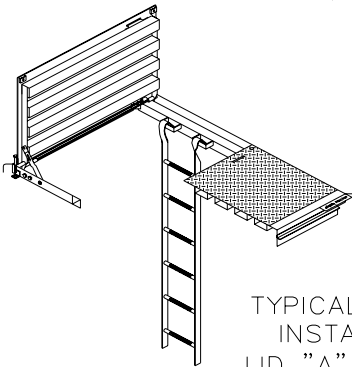
H-20 RATED  
3' MANHOLE OPENING



LADDER-UP  
(CUT AWAY  
DETAIL)

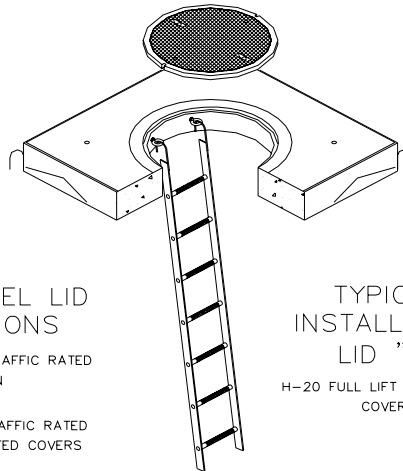


LADDER  
(GALVANIZED)



TYPICAL STEEL LID  
INSTALLATIONS  
LID "A" H-10 TRAFFIC RATED  
LID A SHOWN

LID "C" NON TRAFFIC RATED  
TORSION SPRING ASSISTED COVERS



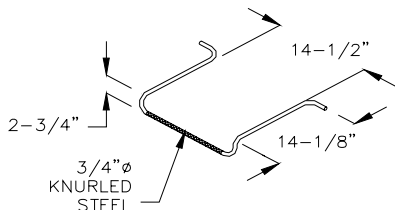
TYPICAL  
INSTALLATION  
LID "B"

H-20 FULL LIFT OUT ACCESS  
COVERS

## CONSTRUCTION NOTES:

- LADDER-UP SAFETY POST NEEDED FOR ALL APPLICATIONS. SPPCo. STK#95-5580 TYPICALLY SUPPLIED WITH VAULT.

- FOR LADDER LENGTH, REFERENCE THE FIRST PAGE OF THE INDIVIDUAL STANDARD FOR THAT VAULT.



STEP RUNG  
USED ON LID B-1  
(GALVANIZED)

Sierra Pacific  
POWER COMPANY

ENGINEERING & CONSTRUCTION STANDARD

SHEET 44 OF 46

LADDER, LADDER-UP,  
STEP RUNG & MANHOLE  
RISERS & COVER

VOLUME 17

DRAWING NUMBER  
VB0105U

DRAWN	DESIGN	SUPR	DATE	REV
JVV	JVV	SJ	05/02	01