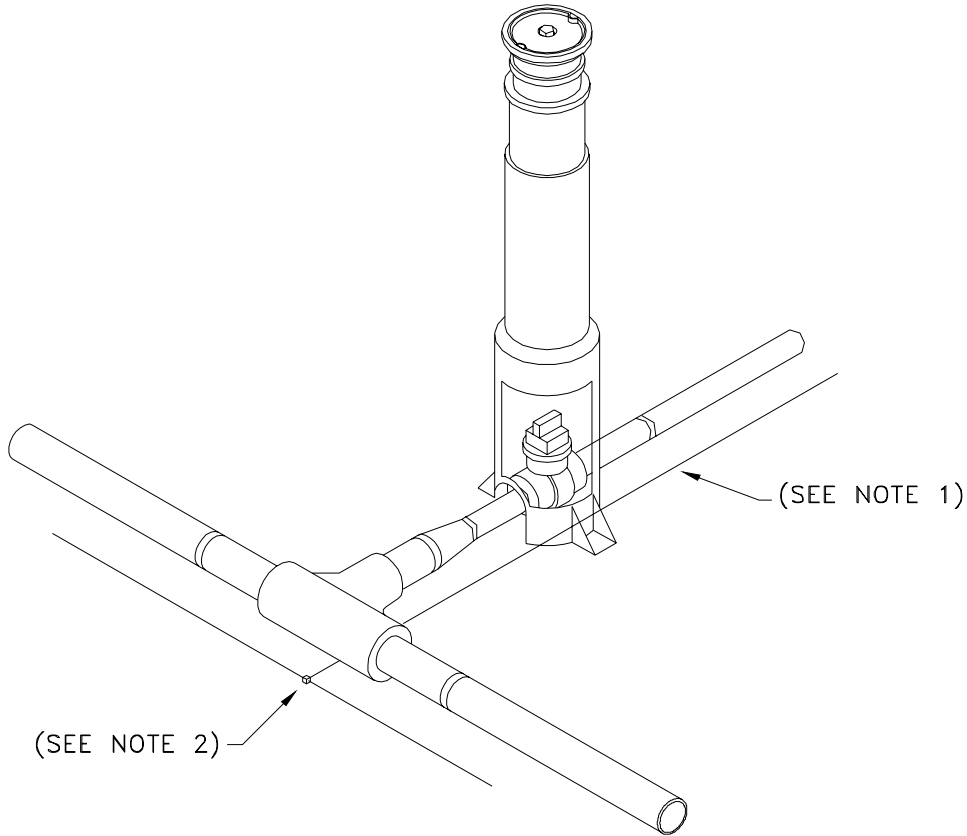


NOTES:

- 1) TRACER WIRE, STOCK ITEM #45-7500, TO BE INSTALLED PER THE GAS CONSTRUCTION SPECIFICATIONS.
- 2) ALL WIRE SPLICES TO BE MADE USING A SPLIT BOLT CONNECTOR WRAPPED WITH AQUA-SEAL AND ELECTRICAL TAPE.



MATERIAL LIST

| STOCK # | QTY. | DESCRIPTION                              |
|---------|------|--|
| 45-2231 | 1.0  | TEE 6" IPS BUTT FUSION PE3408            |
| 45-1764 | 1.0  | REDUCER 6" X 4" IPS BUTT FUSION PE3408   |
| 43-2040 | 1.0  | VALVE 4" PE3408                          |
| 43-0020 | 1.0  | BOX 3" & 4" PE VALVES TRAFFIC RATED H-20 |
| 19-1670 | 1.0  | CONN SPLIT BOLT COPPER MAX #10 STR       |



ENGINEERING & CONSTRUCTION STANDARD

SECTION 5 GAS CONSTRUCTION DRAWINGS  
DISTRIBUTION BRANCH INSTALLATIONS  
6" PE RUN X 4" PE BRANCH

SHEET 6 OF 16

DRAWING NUMBER

**DBI05G**

| DRAWN | DESIGN | SUPR | DATE | REV  |
|-------|--------|------|------|------|
| KS    | KS     | HB   | 5/98 | 7/06 |