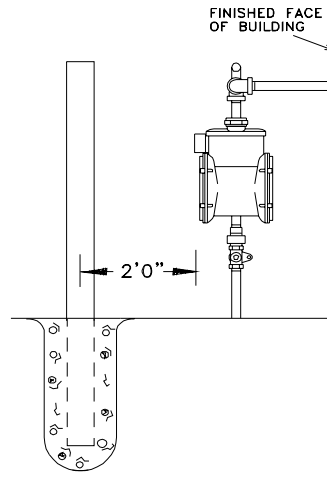
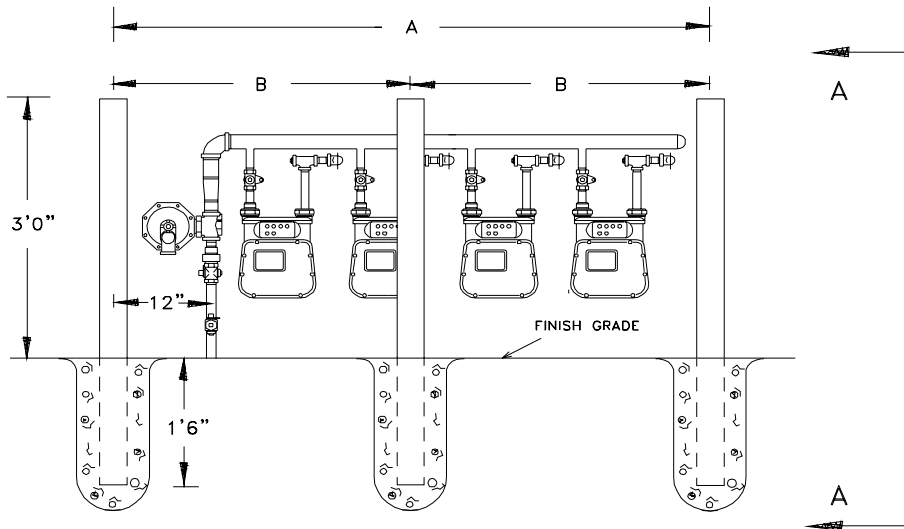


FRONT VIEW



SECTION A-A



FRONT VIEW

NOTES:

- 1) IF METER SET IS LOCATED IN AN AREA SUBJECT TO VEHICULAR TRAFFIC GUARD POSTS MUST BE INSTALLED PER THIS STANDARD.
- 2) IF METER SET IS NOT ADJACENT TO A BUILDING FACE, POSTS BE SET ON BOTH SIDES OF THE METER.
- 3) POSTS TO BE 4" STD STEEL SCH 20 OR HEAVIER STEEL PIPE.
- 4) PIPE POSTS TO BE FILLED WITH CONCRETE. BASE TO BE POURED AS SHOWN.
- 5) POSTS TO BE PRIMER COATED AND THEN PAINTED YELLOW.
- 6) POSTS SHALL NOT BE PLACED AT GREATER THAN 4'0" CENTERS.

DRAWN	DESIGN	SUPR	DATE	REV
GD	KS	HB	5/98	7/06

RESIDENTIAL METERING - 250 CFH METERS

COMPATIBLE UNIT NUMBER	# OF METERS	DIMENSION		# OF POSTS
		A	B	
GMI01G	1	3' 0"		2
GMI02G	2	4' 0"		2
GMI03G	3	5' 0"	2' 6"	3
GMI04G	4	6' 0"	3' 0"	3
GMI05G	4 STACKED	4' 0"		2
GMI06G	5	7' 0"	3' 6"	3
GMI07G	6	8' 0"	4' 0"	3
GMI08G	6 STACKED	5' 0"	2' 6"	3
GMI09G	7	9' 0"	3' 0"	4
GMI10G	8	10' 0"	3' 4"	4
GMI11G	8 STACKED	6' 0"	3' 0"	3
GMI12G	10 STACKED	7' 0"	3' 6"	3
GMI13G	12 STACKED	8' 0"	4' 0"	3
GMI14G	14 STACKED	9' 0"	3' 0"	4
GMI15G	16 STACKED	10' 0"	3' 4"	4

COMMERCIAL METERING - REGULATED UPSTREAM OF METER

COMPATIBLE UNIT NUMBER	METER SIZE	DIMENSION		# OF POSTS
		A	B	
GMI17G	425 CFH	3' 6"		2
GMI19G	630 CFH	3' 6"		2
GMI21G	8 C	3' 0"		2
GMI23G	1.5 M	3' 6"		2
GMI25G	1000 CFH	3' 6"		2
GMI27G	1400 CFH	5' 0"	2' 6"	3
GMI29G	3 M	4' 0"		2
GMI31G	2300 CFH	7' 0"	3' 6"	3
GMI33G	5 M	7' 0"	3' 6"	3
GMI35G	5000 CFH	7' 6"	3' 9"	3



ENGINEERING & CONSTRUCTION STANDARD

SECTION 6 GAS METERING GUIDELINES
GAS METER GUARD POST DETAIL

SHEET 11 OF 21

DRAWING NUMBER

GM0040G

DRAWN	DESIGN	SUPR	DATE	REV
GD	KS	HB	5/98	7/06