

Conduit and Cable

1. Purpose

For safe and fast maintenance operation of the 600 volt system, of the 600 volt system, all cables are identified by rings of red and green electrical grade tape. Rings shall start at about 6 inches from the cable set screw connector.

All 600 volt cables at transformers and handholes will be marked.

Cables at service panels will not be marked.

2. Terminology


Secondary Cables: 600 volt cables that connect a handhole to a transformer, or one handhole to another.

Service Cables: 600 volt cable that connect a service panel to a transformer or a handhole.

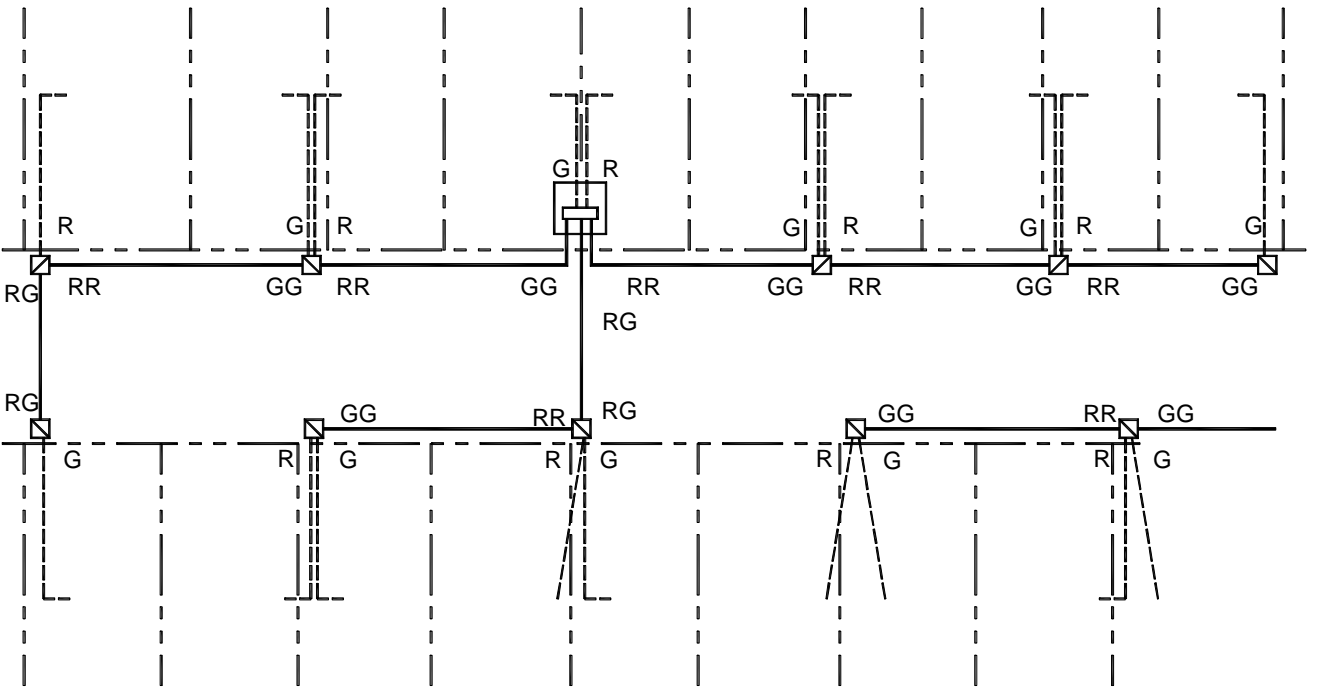
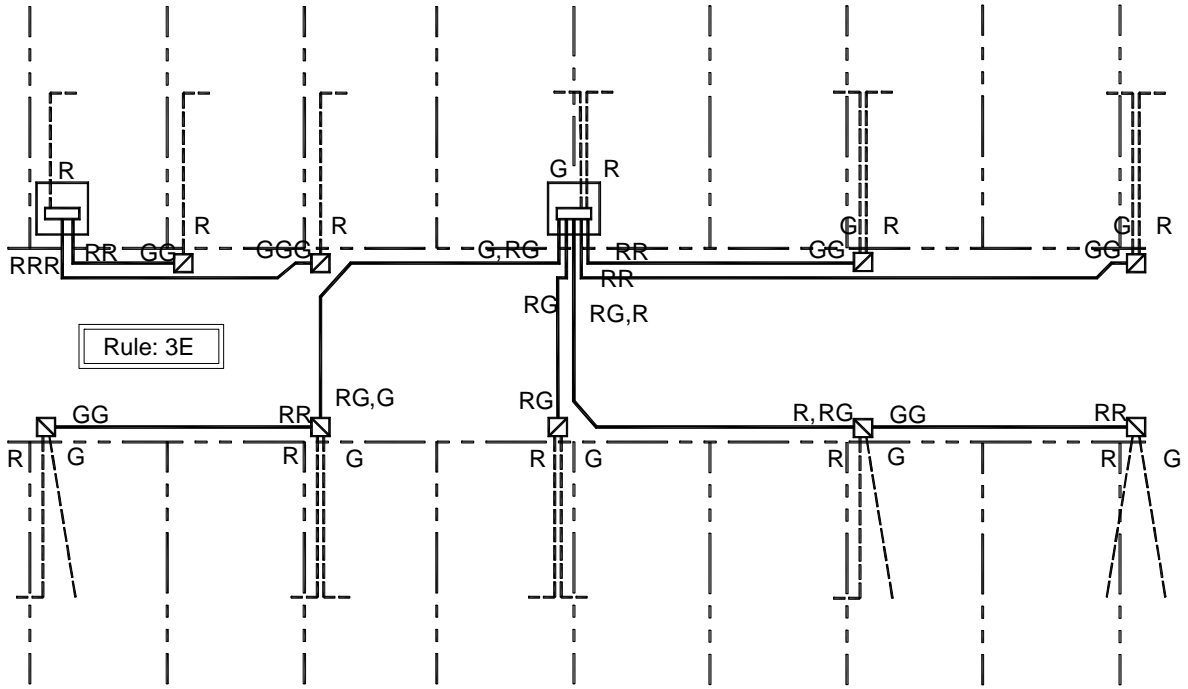
3. Rules

Rules for the use of red (R) and green (G) electrical grade tape:


- A. When facing a transformer or handhole with the street to your back, the cables that terminate in a service panel or handhole located to your right are marked with red tape. Those cables that terminate to your left side are marked with green tape.
- B. Service cables are usually marked with one ring of tape and secondary cables are usually marked with two rings of tape.
- C. When two service cables go in the same direction to your right (red) or left (green), the cable going to the closest service panel has one ring of tape and the farthest service panel has two rings of the same color.
- D. When a cable crosses under the street, it is marked with two rings of tape. The first ring closest to the connector, is red with the second ring being green.
 - i. Diagonal cable runs resulting from property line offsets of less than half a lot width shall be marked as if they are straight runs.
 - ii. If the cable goes to a location directly in back of you, it is marked with one red and one green ring only.
 - iii. For multi-direction marking, use a single tape for right or left directions.
 - iv. The 1 or 2 tapes closest to the connector indicate the initial direction of the cable run. The other tapes indicate the termination point to the side or behind you, i.e.:
 - a. R, RG – cable runs to the right and then crosses the street.
 - b. RG, R – cable runs across the street and then proceeds to the right.
- E. When two secondary cables of the same wire size go in the same direction to your right (red) or left (green), the cable going to the closest handhole has two rings of tape of the same color. The cable going to the farthest handhole has the three rings of the same color.
Secondary cables of different wire sizes going in the same direction only need two rings of the same color.
- F. In the few cases where red and green markings are not adequate, use:
 - i. Yellow (y) for a termination point in front of you.
 - ii. Brown (b) for a termination point in back of you.

				Electric Service Requirements		RC-10
				Cable Marking Requirements		
Drawn:	Eng:	Appr:	Date:	Revision: 1		
DH	DA	DA	8/07	Page 1 of 4		

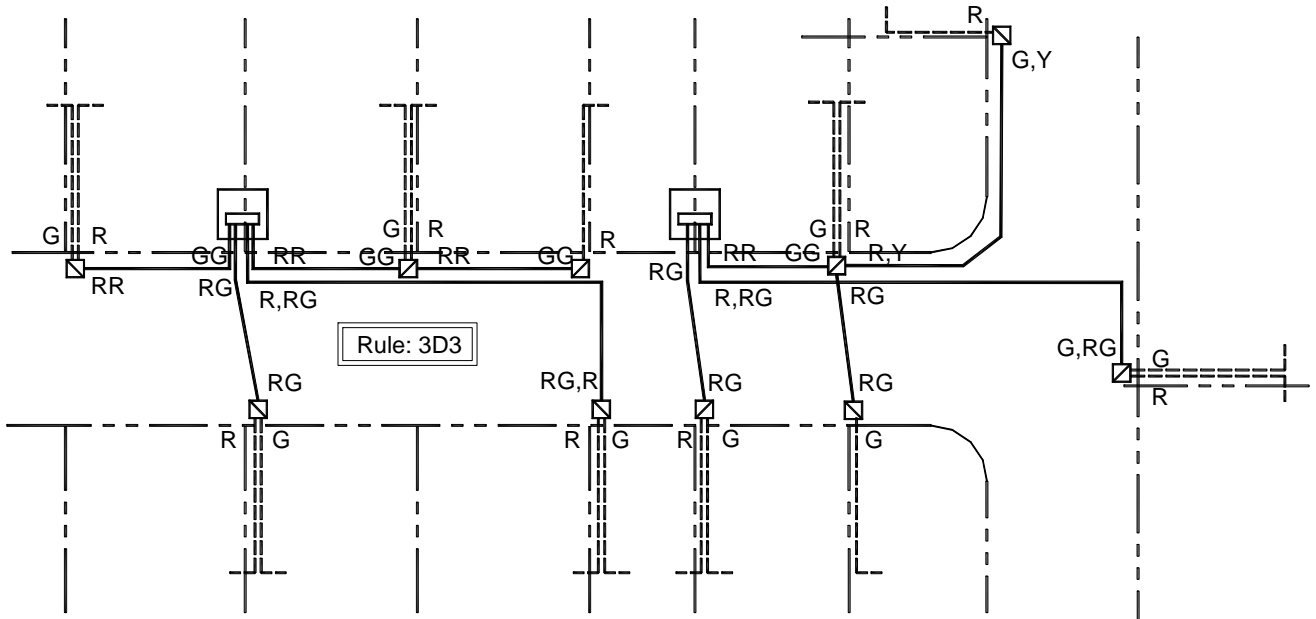
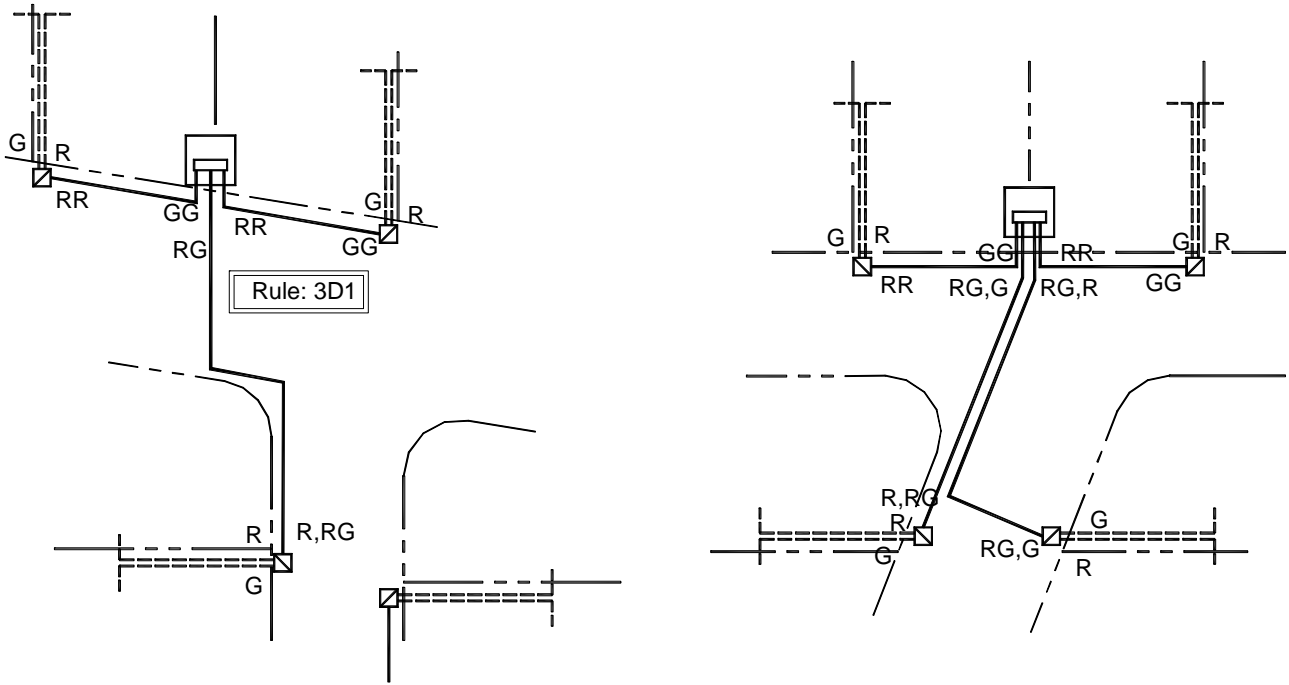
Conduit and Cable



<p>Initial cable direction, (tape closest to the connector) → XX, XX</p> <p>Subsequent cable direction →</p>	<p>— SECONDARY</p> <p>- - - SERVICE</p> <p>- - - PROPERTY LINE</p> <p>☐ TRANSFORMER</p> <p>◻ HANDHOLE</p>
--	---

				Electric Service Requirements		<h2 style="margin: 0;">RC-10</h2>
				<h2 style="margin: 0;">Cable Marking Requirements</h2>		
Drawn:	Eng:	Appr:	Date:			Revision: 1
DH	DA	DA	8/07			Page 2 of 4

Conduit and Cable



<p>Initial cable direction, (tape closest to the connector) </p> <p>Subsequent cable direction </p> <p>XX, XX</p>	<p> SECONDARY</p> <p> SERVICE</p> <p> PROPERTY LINE</p> <p> TRANSFORMER</p> <p> HANDHOLE</p>
---	--

				Electric Service Requirements		<h2 style="margin: 0;">RC-10</h2>
				<h2 style="margin: 0;">Cable Marking Requirements</h2>		
Drawn:	Eng:	Appr:	Date:			Revision: 1
DH	DA	DA	8/07			Page 3 of 4

THIS PAGE INTENTIONALLY LEFT BLANK

 NVEnergy.				Electric Service Requirements		RC-10
				Cable Marking Requirements		
Drawn:	Eng:	Appr:	Date:			Revision: 1
DH	DA	DA	8/07			Page 4 of 4