

Equipment Pads

DESIGN REQUIREMENTS

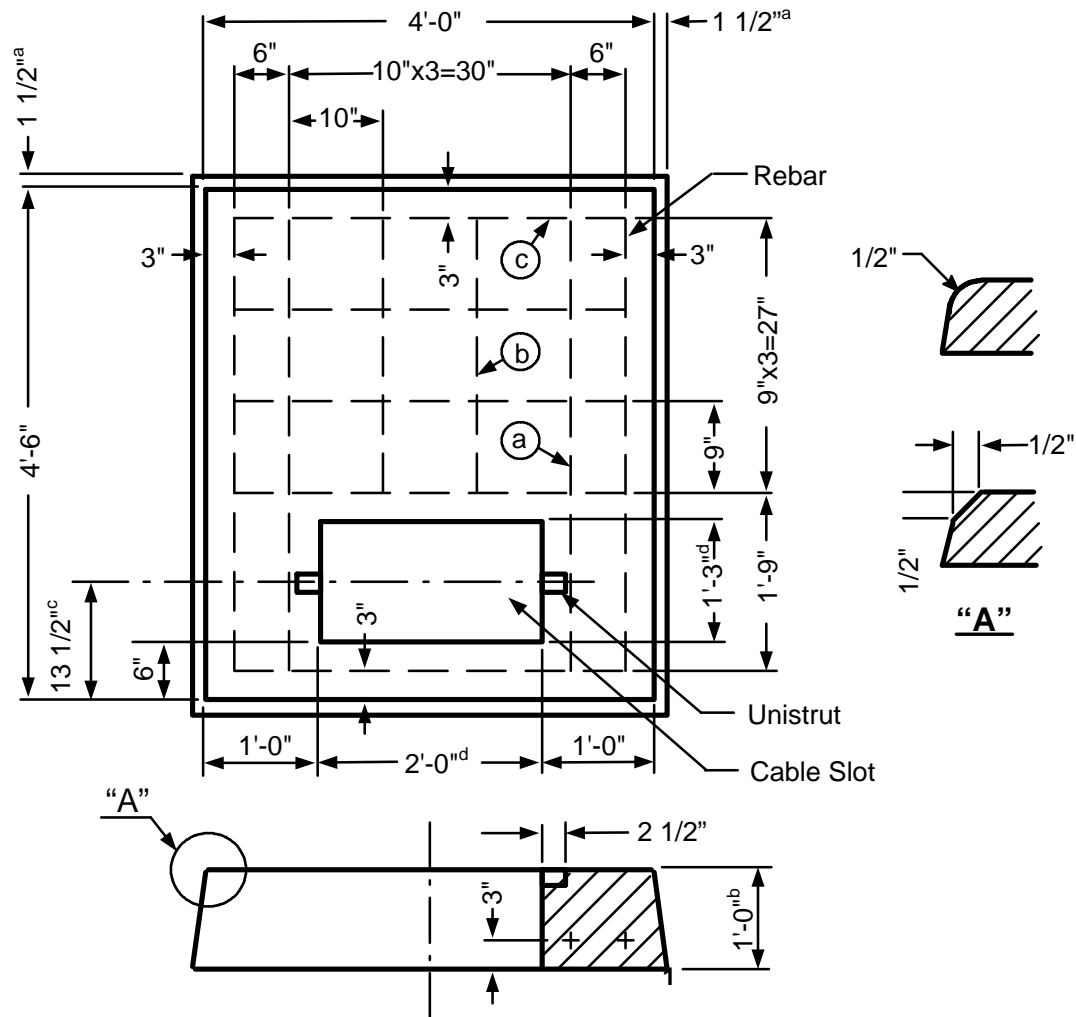
TOLERANCES:

a = +0", -1 1/2"
 b = +1/4", -0"
 c = +1/2", -1/2"
 d = +1/2", -0"

REBAR SCHEDULE:

Ⓐ = 4 ea. 48"
 Ⓑ = 2 ea. 27"
 Ⓒ = 5 ea. 42"


APPROVED STRUCTURE	
MANUFACTURER	PAD
Jensen Precast	J-RS-13
Rockway Precast	R-RS-13



RS-13, RS-19, AND RS-28 TRANSFORMER PADS

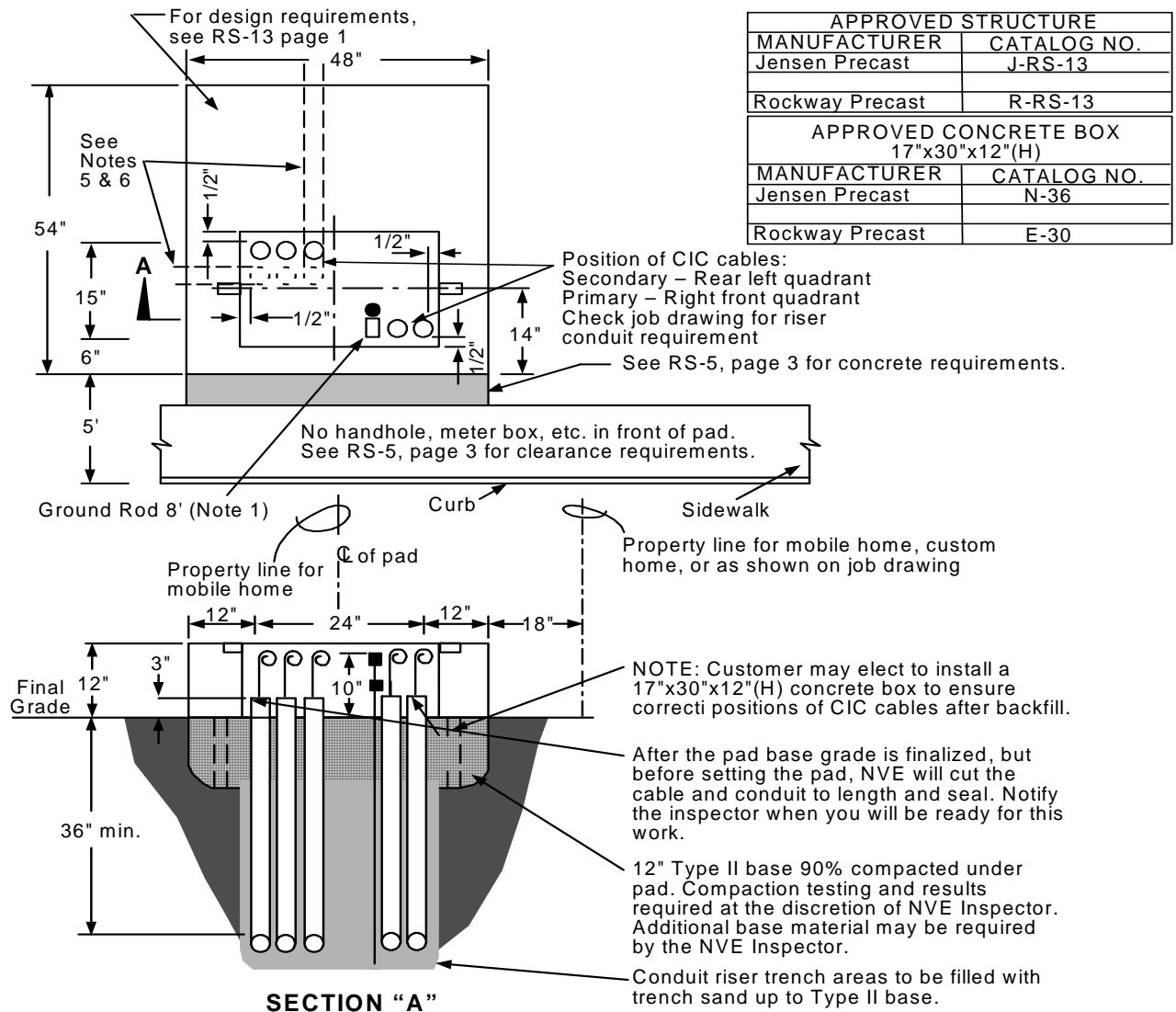
NOTES:

1. Rebar shall be a minimum #4 and placed into the above drawing according to the rebar schedules.
2. Pad unistruts shall be hot dip galvanized steel type P2000HG x 2-1/2".
3. Pad cable slot shall be 15" x 24".
4. Pad shall meet RS-G2 and RS-G3.

				Electric Service Requirements		<h1>RS-13</h1>
				<h2>Residential Transformer Pad:</h2> <h3>One 1 Ph, 12 or 25kV, Phase to Neutral</h3>		
Drawn:	Eng:	Appr:	Date:			Revision: 1
DH	DH	DA	9/06			Page 1 of 2

Equipment Pads

INSTALLATION REQUIREMENTS



APPROVED STRUCTURE	
MANUFACTURER	CATALOG NO.
Jensen Precast	J-RS-13
Rockway Precast	R-RS-13
APPROVED CONCRETE BOX 17"x30"x12"(H)	
MANUFACTURER	CATALOG NO.
Jensen Precast	N-36
Rockway Precast	E-30

NOTES:

1. Ground rod per UT-113 or UT-213 by NVE.
2. For additional location and clearance requirements to other structures, see RS-5.
3. Retaining wall required when grade from bottom of pad rises or lowers more than 1' in 5' horizontally.
4. Telephone and cable TV ground wires and clamps shall be installed by them.
5. 3" stubouts must be installed for future homes. Stubouts must clear pad by 6". Depth marker must be installed to locate 3" stubout.
6. 4" DB 60 PVC for 500 kcmil triplex, if required.
7. Stubouts for future services must be placed in front of other services.
8. The top of the pad shall be leveled and must clear the final grade by 12".

				Electric Service Requirements		<h1>RS-13</h1>
				<h2>Residential Transformer Pad: One 1 Ph, 12 or 25kV, Phase to Neutral</h2>		
Drawn:	Eng:	Appr:	Date:			Revision: 1
DH	DH	DA	9/06			Page 2 of 2