

Equipment Pads

DESIGN REQUIREMENTS

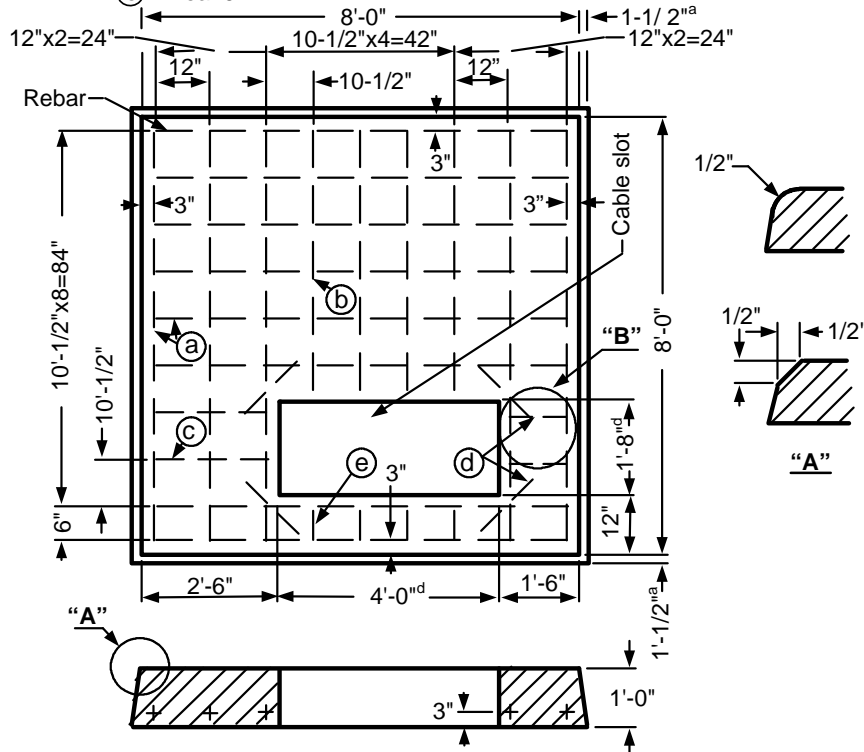
TOLERANCES:

a = +0", -1-1/2"
 b = +1/4", -0"
 c = +0", -1/4"
 d = +1/2", -0"

REBAR SCHEDULE:


(a) = 13 ea. 90"
 (b) = 4 ea. 58"
 (c) = 2 ea. 24"
 (d) = 6 ea. 12"
 (e) = 4 ea. 6"

| APPROVED PADS | |
|-----------------|---------|
| MANUFACTURER | PAD |
| Jensen Precast | J-RS-35 |
| Rockway Precast | R-RS-35 |

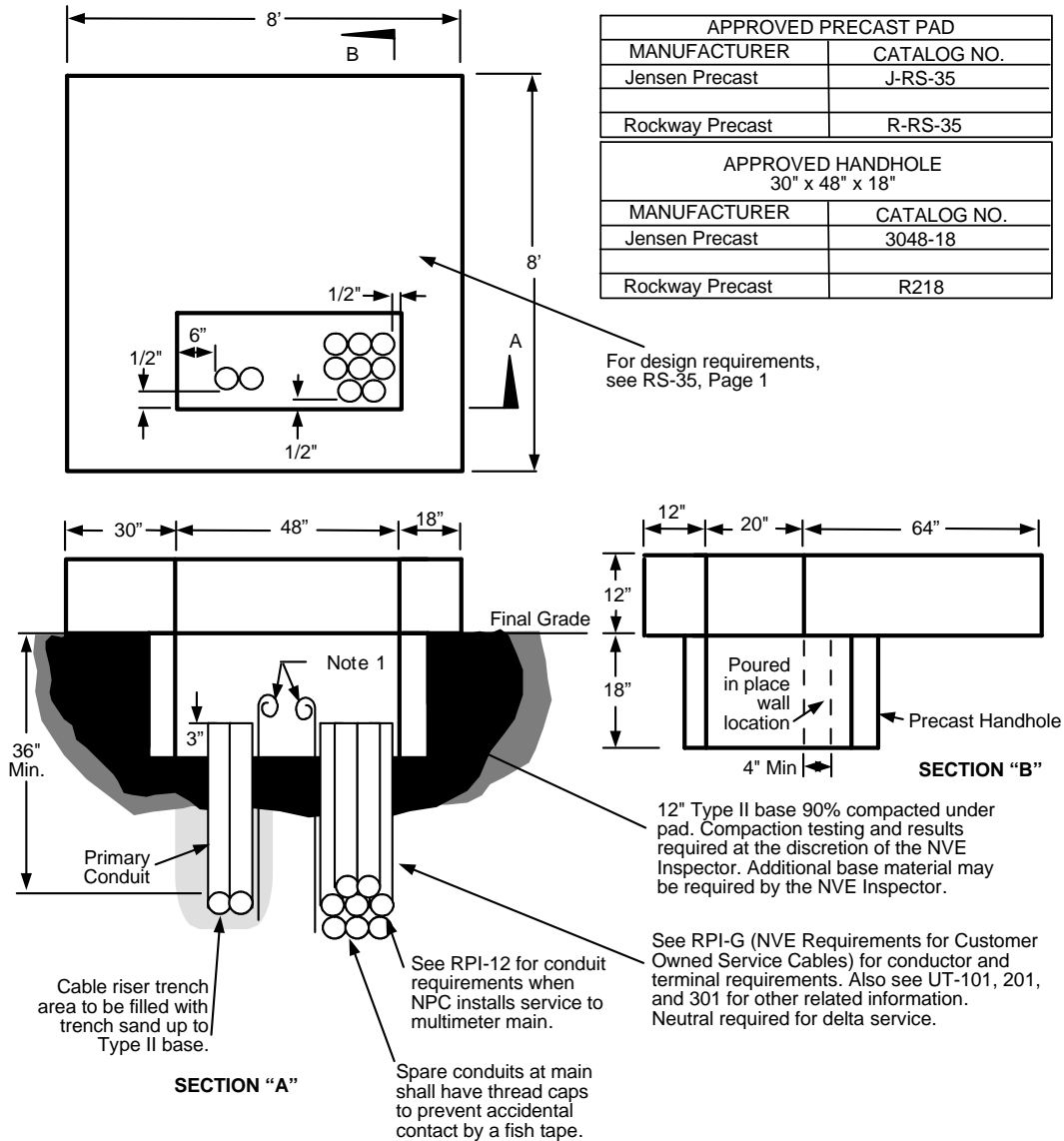


RS-35, RS-40, AND RS-41 TRANSFORMER PADS

1. Rebar
 - A. Minimum #4
 - B. Placed into the above drawing according to the rebar schedule.
2. Pad
 - A. A 20"x48" cable slot.
 - B. Shall meet RS-G2 and RS-G3.
3. Only the RSI-36 Pad
 - A. Two 2-1/2"x2-1/2"x1/4" min. x 66" hot dip galvanized steel angle.
 - B. A 1" diameter PVC ell with a minimum radius of 5-3/4".
 - C. A 1" diameter PVC coupling.


| | | | | | | |
|---|------|-------|-------|--|--|--------------|
|  | | | | Electric Service Requirements | | RS-35 |
| | | | | Transformer Pad: 3 Ph, 12/25KV 75-300KVA @208V, 75-750KVA @480V | | |
| Drawn: | Eng: | Appr: | Date: | | | Revision: 1 |
| DH | DH | DA | 10/06 | | | Page 1 of 2 |

INSTALLATION REQUIREMENTS



NOTES:

1. Grounding by customer shall be 2-50' #2 stranded bare copper ground wires laid in the bottom of the conduit trench in opposite directions with 2-50' tails in the pad opening.
NOTE: Only at the discretion of NVE inspectors, a 1/2"x8' copper ground rod can be installed.
2. For location and clearances to other structures, see RS-5.
3. Retaining wall required when grade from bottom of pad rises or lowers more than 1' in 5' horizontally.
4. All secondary conduits shall be located within 24" of the right side of the pad opening.
5. The top of the pad shall be leveled and must clear the final grade by 12".

| | | | | | | |
|---|------|-------|-------|--|--|--------------|
|  | | | | Electric Service Requirements | | RS-35 |
| | | | | Transformer Pad: 3 Ph, 12/25KV 75-300KVA @208V, 75-750KVA @480V | | |
| Drawn: | Eng: | Appr: | Date: | | | Revision: 1 |
| DH | DH | DA | 10/06 | | | Page 2 of 2 |