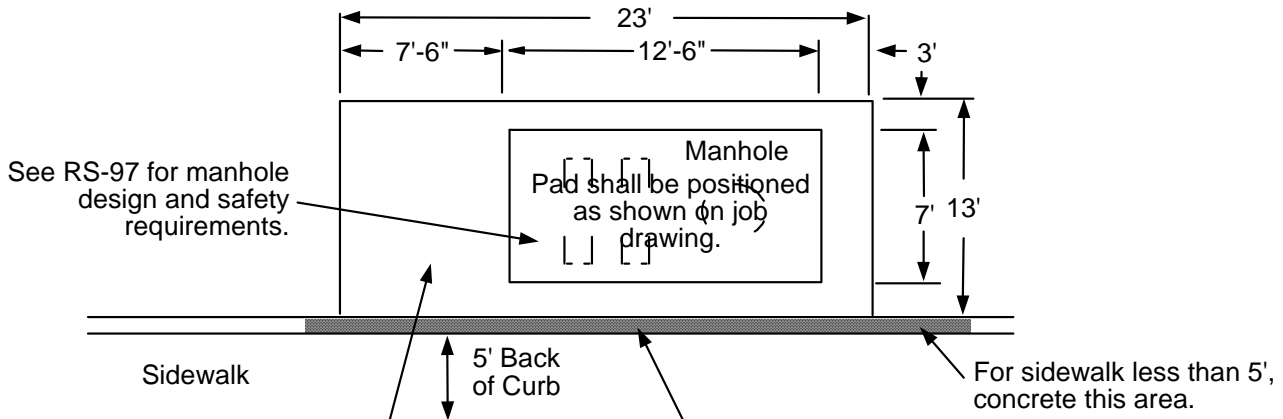


# Vaults and Boxes

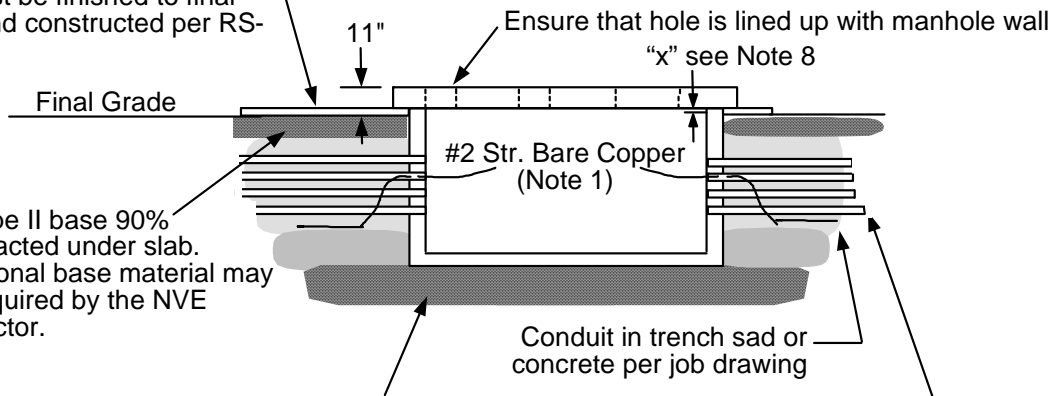
## INSTALLATION REQUIREMENTS

APPROVED STRUCTURE	
MANUFACTURER	MANHOLE
Jensen Precast	J-RS-97
Rockway Precast	R-RS-97



A 4" thick concrete slab is required when the equipment pad is located in a grassy area, planter, or bare ground. The slab must be finished to final grade and constructed per RS-G6.

Fill this area with concrete if a gap exists between the capacitor pad or manhole pad and the sidewalk. See RS-G6 for additional information.



12" Type II base 90% compacted under manhole. Compaction testing and results required at the discretion of the NVE Inspector. Additional base material may be required by the NVE Inspector

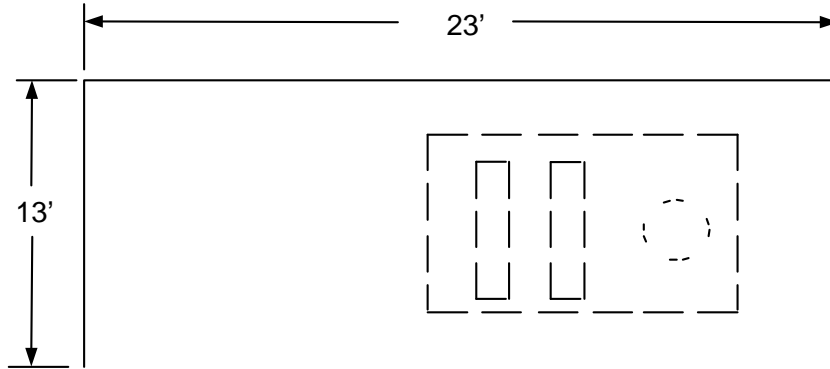
Conduits must be installed from the bottom up. The first conduit goes into space 1, the second into space 2, etc. The designer should avoid designs where future cable will be pulled in under existing energized cable. The manhole will be rejected by NVE Inspector if the conduits are not found in the correct locations.

				Electric Service Requirements		RS-99
				12kV Manhole Pad: Not Adjacent to Public R.O.W.		
Drawn:	Eng:	Appr:	Date:			Revision: 2
TA	KL	KL	8/07			Page 1 of 2


# Vaults and Boxes

**NOTES:**

1. Grounding by customer shall be 2-50' #2 stranded bare copper ground wires laid in the bottom of the conduit trench in opposite directions with 2-5' tails left in the box.
2. For location and clearances to other structures, see RS-5.
3. Retaining wall required when grade from bottom of pad rises or lowers more than 1" in 5' horizontally.
4. Required easement (conduit may require As-Built easement):



5. If the designer specifies additional conduit openings, the contractor shall core drill the holes as required.
6. The bottom surface of the manhole shall be level.
7. If the ground water level is at least 3' below the bottom of the pullbox, the 2" diameter knockout in the sump pump recess shall be removed.
8. If any final grade adjustment "x" is needed, take the following action:
  - A. 0"-6": The top of the pad has to clear the final grade 11" to min.5"
  - B. 6"-24": The NVE contractor shall order an extension from the original manufacturer.
  - C. Above 24": Any extension exceeding 24" shall be subject to T & D Standards approval.
  - D. If bottom of the manhole pad is located 1" to 24" above or below ground level, the proposed adjustment shall be subject to T & D Standards approval.
9. This manhole may be installed next to sidewalks, but never under traffic areas. For heavy frequency traffic areas, (e.g. streets, roads, etc.) use the RS-94 manhole.

				<b>Electric Service Requirements</b>		<b>RS-99</b>
				<b>12kV Manhole Pad: Not Adjacent to Public R.O.W.</b>		
Drawn:	Eng:	Appr:	Date:			Revision: 2
TA	KL	KL	8/07			Page 2 of 2