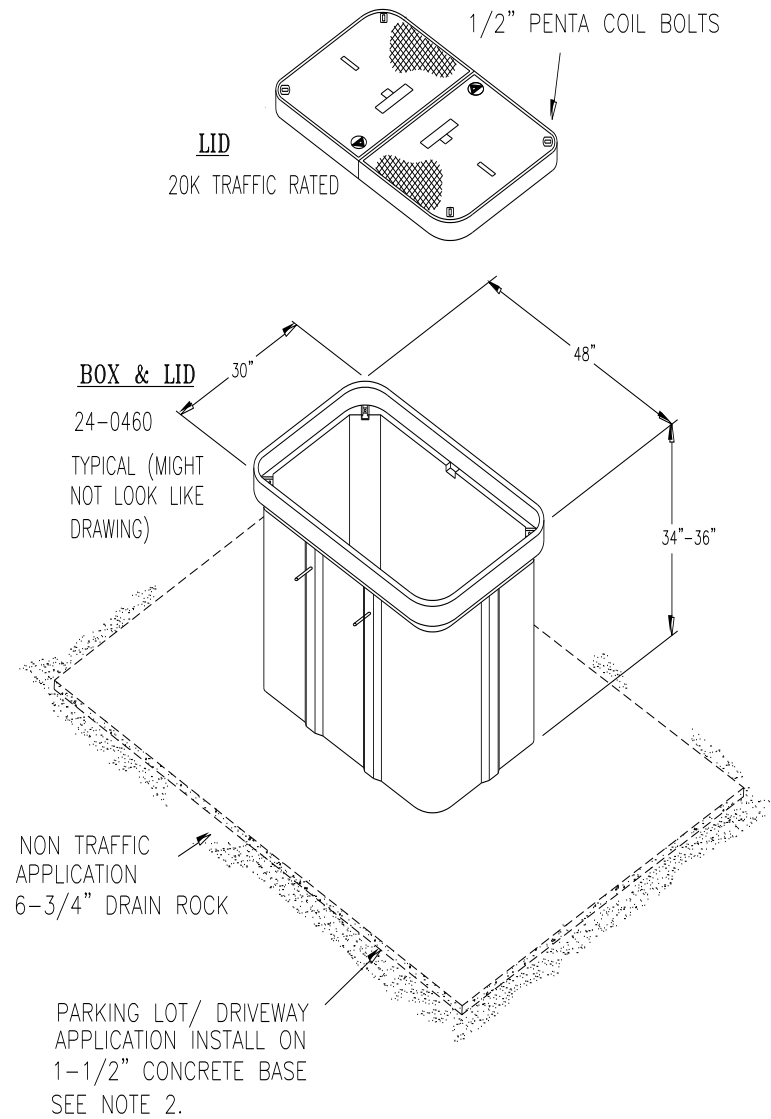


30" X 48" BOX



CONSTRUCTION NOTES

1. DEPENDING ON MANUFACTURER SELECTED BOX USED IN: NON-TRAFFIC OR LIGHT-TRAFFIC (PARKING LOTS/ SIDEWALK) AREAS. SEE TE0001U, SECTION 2.
2. INSTALLATIONS:
NON-TRAFFIC RATED BOX TO BE PLACED ON 6" OF 3/4" CLEAN DRAIN ROCK. LIGHT-TRAFFIC BOX TO BE INSTALLED ON A 1-1/2" CONCRETE BASE, POURED ON 6" OF TYPE 2 BASE MATERIALS COMPACTED TO 95%. SEE TE0020U, "BOX PLAN VIEW".
3. ALL LIDS TO BE MARKED "ELECTRIC".
4. LID TO BE SECURED WITH PENTA HEAD COIL TYPE BOLTS.

MAXIMUM CONDUCTORS			
30" x 48" BOX	MAX RUNS	≤ 750 TX OR QX	≤ 350 TX OR QX
1PHASE	6*	2	4
3PHASE	6**	2	4

NOTE: REFER TO CAB 09U VOLUME 5 FOR COMPLETE APPLICATION

* 6 maximum number of runs: 2 runs of 750 TX with 4 runs of any other conductor ranging from #2 to 350 TX.
 ** 6 maximum number of runs: 2 runs of 750 quad with 4 runs of any other conductor ranging from #2 to 350 quad.

Refurbishment Manhole Lid: 24-1195

NVE STOCK#	DESCRIPTION	APPROVED MANUFACTURERS	
		NEWBASIS	ARMORCAST
24-0460	POLYMER BOX AND LID	PCA304836-90191	A6001430TAPCX36-NVE
24-1190	REPLACEMENT 20K LID 2 PC.	PCC3048P2-00086	A6001470TA

	VOLUME 17 – ENGINEERING & CONSTRUCTION STANDARD			VB0060U
	30" X 48" BOX POLYMER			
Drawn: RN Eng: MB Appr: DA Date: 04/16				Revision: 1 Page 1 of 1