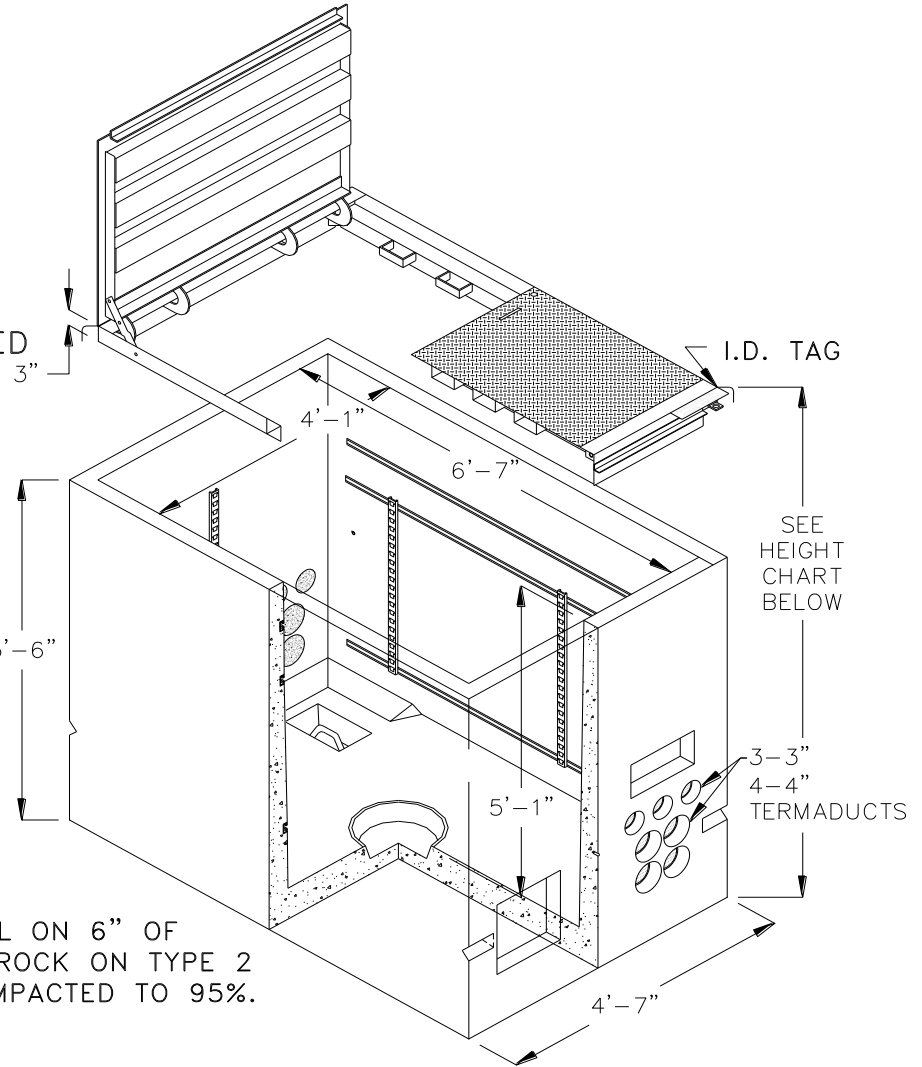


**557 VAULT ISOMETRIC DETAIL**

LID "A"  
24-1167  
INCIDENTAL-TRAFFIC RATED



557 VAULT  
24-1045

NOTE: INSTALL ON 6" OF 3/4" DRAIN ROCK ON TYPE 2 BACKFILL COMPACTED TO 95%.

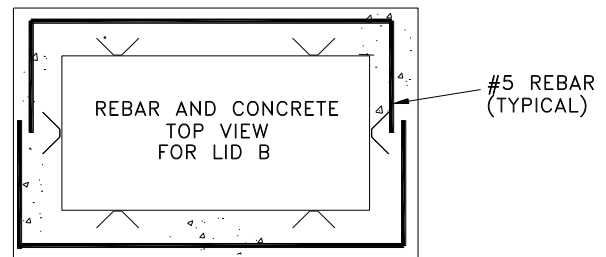
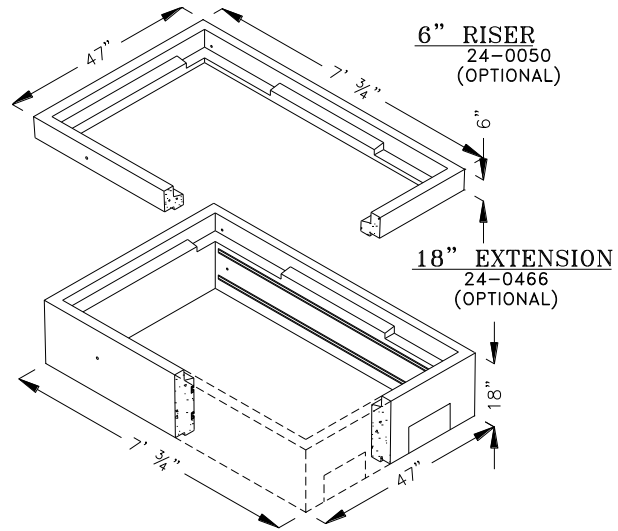
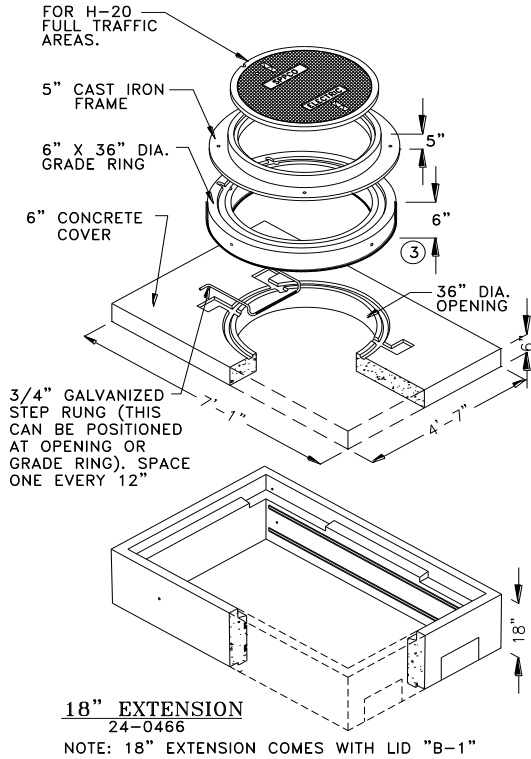
STK#	DESCRIPTION	WEIGHT (LBS)
24-1045	557 VAULT	7500
24-0050	6" EXTENSION OPTIONAL	787
24-0466	18" EXTENSION OPTIONAL	1407
24-1167	LID "A" H-10 FULL OPENING SPRING ASSISTED	794
24-1295	LID "B" H-20 FULL OPENING LIFT OUT	4086
24-1290	LID "B-1" H-20 3' MANHOLE COMES W/18" EXT. OPERATED NON	1285
24-0466	LOADBREAK	1407

HEIGHT OF VAULT WITH CORRESPONDING LIDS	LADDER LENGTH	HEIGHT W/ 6" EXTENSION	LADDER LENGTH W/6" EXT
5'-9" WITH LID A	5'-2"	6'-5"	5'-8"
6'-2" WTH LID B	5'-6"	6'-8"	6'
8'-5" WITH LID B-1 & 18" EXT	7'	8'-11"	STEP RUN

	VOLUME 17 - ENGINEERING & CONSTRUCTION STANDARD			VB0071U								
	557 VAULT CONCRETE PRIMARY 49" X 79" X 61" I.D.											
<table border="1"> <tr> <td>Drawn:</td> <td>Eng:</td> <td>Appr:</td> <td>Date:</td> </tr> <tr> <td>JVV</td> <td>MB</td> <td>DA</td> <td>3/17</td> </tr> </table>	Drawn:	Eng:	Appr:	Date:	JVV	MB	DA	3/17				Revision: 4 Page 1 of 4
Drawn:	Eng:	Appr:	Date:									
JVV	MB	DA	3/17									

**LID B-1**

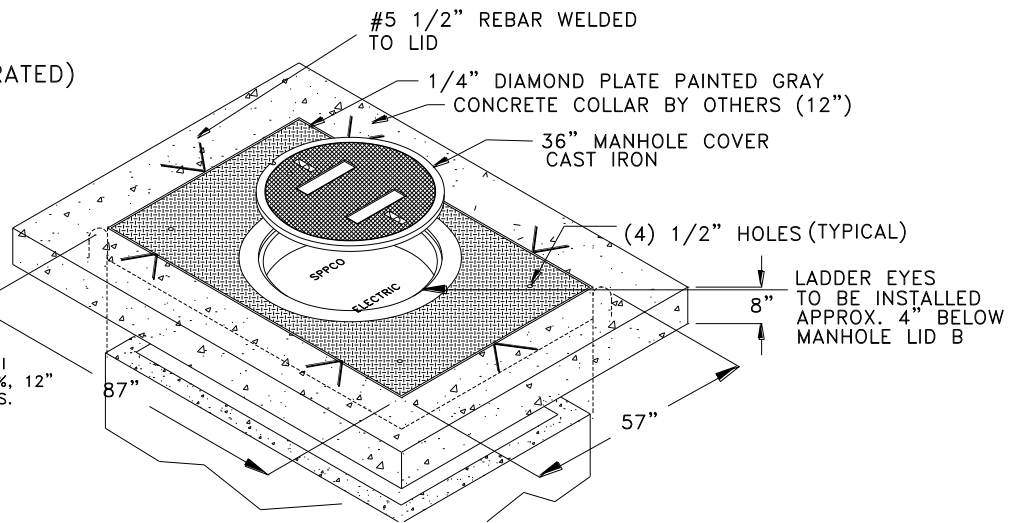
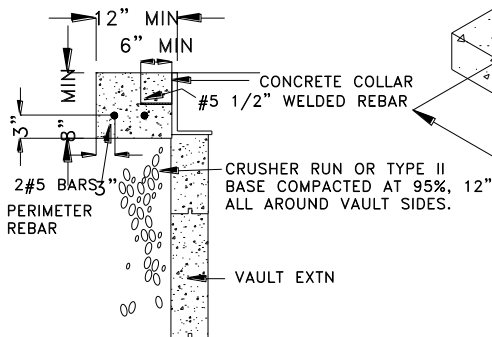
24-1290 & 18" EXT 24-0466  
(FOR AREAS TO BE PAVED)  
(H-20 RATED)



**LID B**

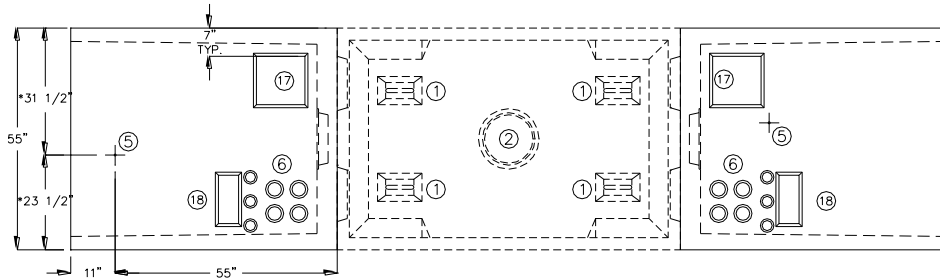
24-1295  
(H-20 TRAFFIC RATED)

REBAR AND CONCRETE CUTAWAY VIEW FOR LID B

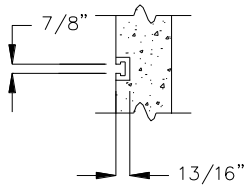
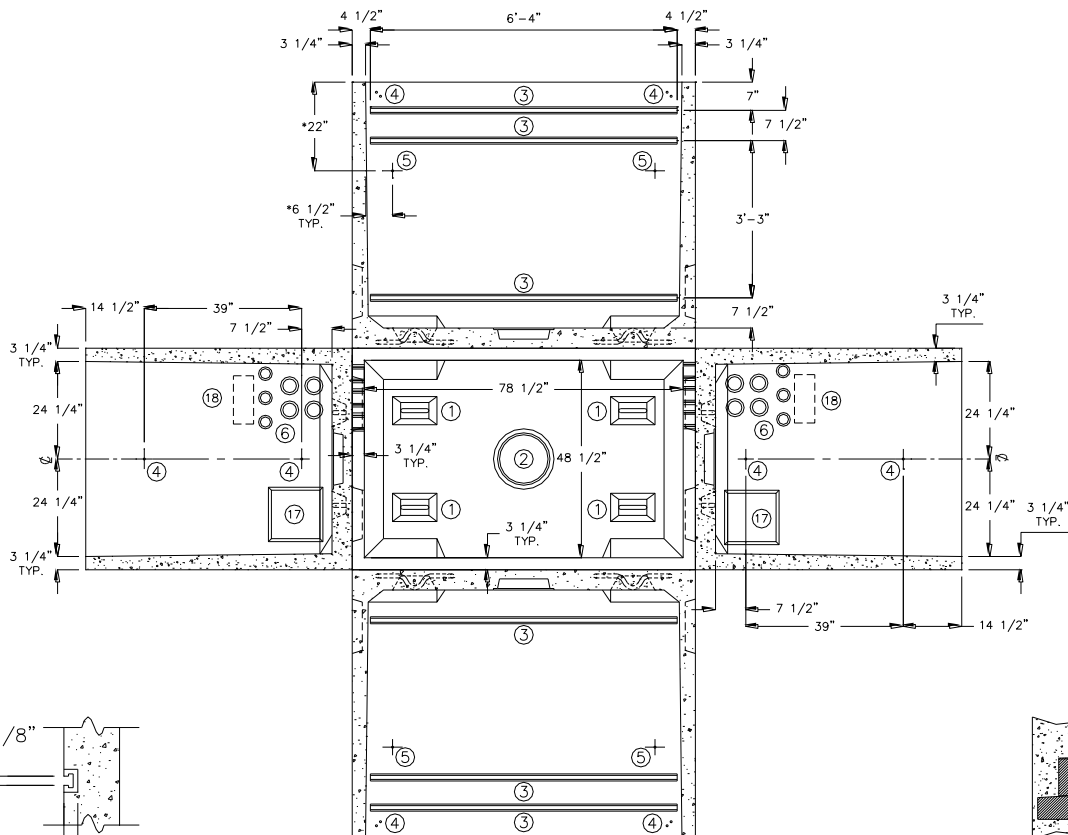


				VOLUME 17 – ENGINEERING & CONSTRUCTION STANDARD		VB0071U
				557 VAULT CONCRETE PRIMARY 49" X 79" X 61" I.D.		
Drawn:	Eng:	Appr:	Date:			Revision: 4
JVV	MB	DA	3/17			Page 2 of 4

**557 VAULT EXPANDED VIEWS**

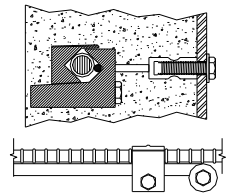


OUTSIDE EXPANDED



UNISTRUT  
DETAIL "A"

INSIDE EXPANDED

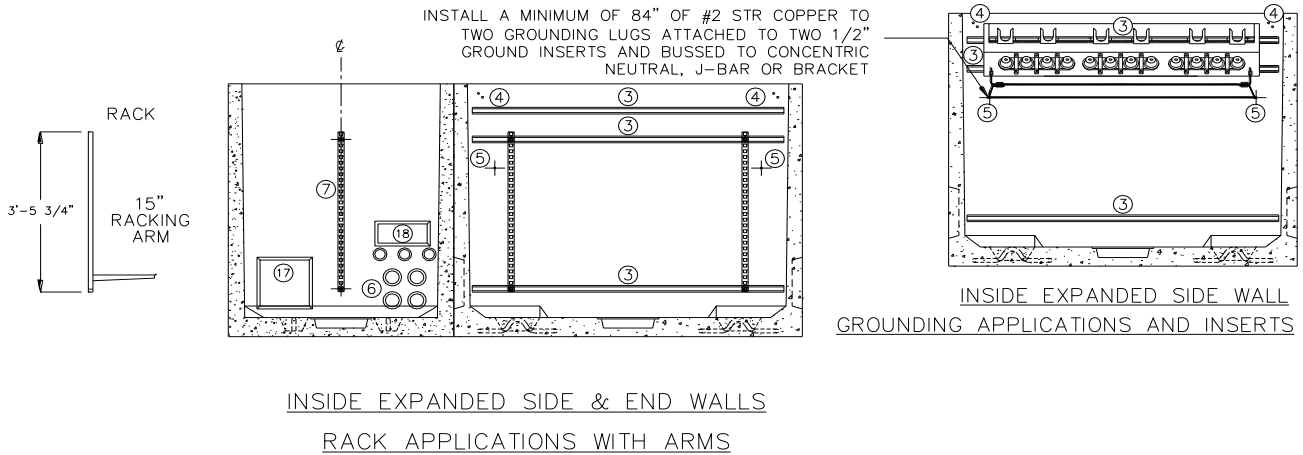


COPPER PIGTAIL TO BE SECURED TIGHTLY TO REINFORCING BAR WITH CLAMP BEFORE POURING CONCRETE.

GROUND INSERT  
DETAIL "B"

	VOLUME 17 – ENGINEERING & CONSTRUCTION STANDARD			VB0071U
	557 VAULT CONCRETE PRIMARY 49" X 79" X 61" I.D.			
Drawn:	Eng:	Appr:	Date:	Revision: 4
JVV	MB	DA	3/17	Page 3 of 4

**GROUNDING GRID INSTALLATION DETAIL**



MAXIMUM CONDUCTORS AND J-BARS				
VAULT 557	200 AMP PRIMARY	600 AMP PRIMARY	SECONDARY	J BARS 3, 4 OR 5 WAY
	LIDS A, B, B-1: 14 WIRES	N/A	1 RUN < 350 QX OR TX	3 TOTAL

NOTE: REFER TO CAB09U VOLUME 5 FOR COMPLETE APPLICATION

MATERIAL LIST supplied by Vault Manufacturer		
DESCRIPTION	QTY	
1 PULLING IRON	4	
2 12" DIAMETER SUMP	1	
3 76" LONG UNISTRUT	6	
4 1/2" RACKING INSERT	12	
5 1/2" GROUNDING INSERT, 4 inside - 2 outside	6	
6 3" DUCT TERMINATOR (each end) 4" DUCT TERNIMATOR	4 8	
7 28 HOLE RACK (41 3/4" LONG)	6	
8 SPRING NUT	8	
9 1/2 X 1 1/2" BOLT	13	
10 1/2" WASHER	12	
11 1/2" BRASS GROUND WASHER, 1 top outside	1	
12 15" ARM	6	
13 LADDER UP	1	
14 LADDER size options on sheet one	1	
15 MOUNTING BRACKETS WITH LID "C-1"	4	
16 ADJUSTABLE BRACKET CLIPS WITH LID "B-1"	2	
17 12" X 12" KNOCKOUT	2	
18 6" X 12" KNOCKOUT	2	

**557 VAULT CONSTRUCTION NOTES**

- Vault to be used for H-20 traffic design loading. All live loads shall be for HS-20-44 (MS-18) as per AASHTO Standard Specification, Div 1, Sec.3  
Note: If lid B-1 is used a minimum of 12 inches of vault cover is required.
- Vault excavation and backfill to conform to NVE. Specification SUB01X.
- Butyl rubber or neoprene gasket seal required between vault sections and/or extensions.
- Additional 6" extension needed if vault is placed in or adjacent to collector or major street right of way.
- Unistrut (See detail A) or 1/2" inserts will be cast into vault.
- Lids to be marked "NVE"
- All weights to be clearly marked
- Cable steps: 6-15" steps are supplied with vault.
- Grounding: See expanded view for grounding applications and inserts.
- Ladder and ladder-up required, See NVE. Standard VB105U.
- Ladder mounting eyes to be installed

	VOLUME 17 – ENGINEERING & CONSTRUCTION STANDARD			VB0071U
	557 VAULT CONCRETE PRIMARY 49" X 79" X 61" I.D.			
Drawn:	Eng:	Appr:	Date:	Revision: 4
JVV	MB	DA	3/17	Page 4 of 4