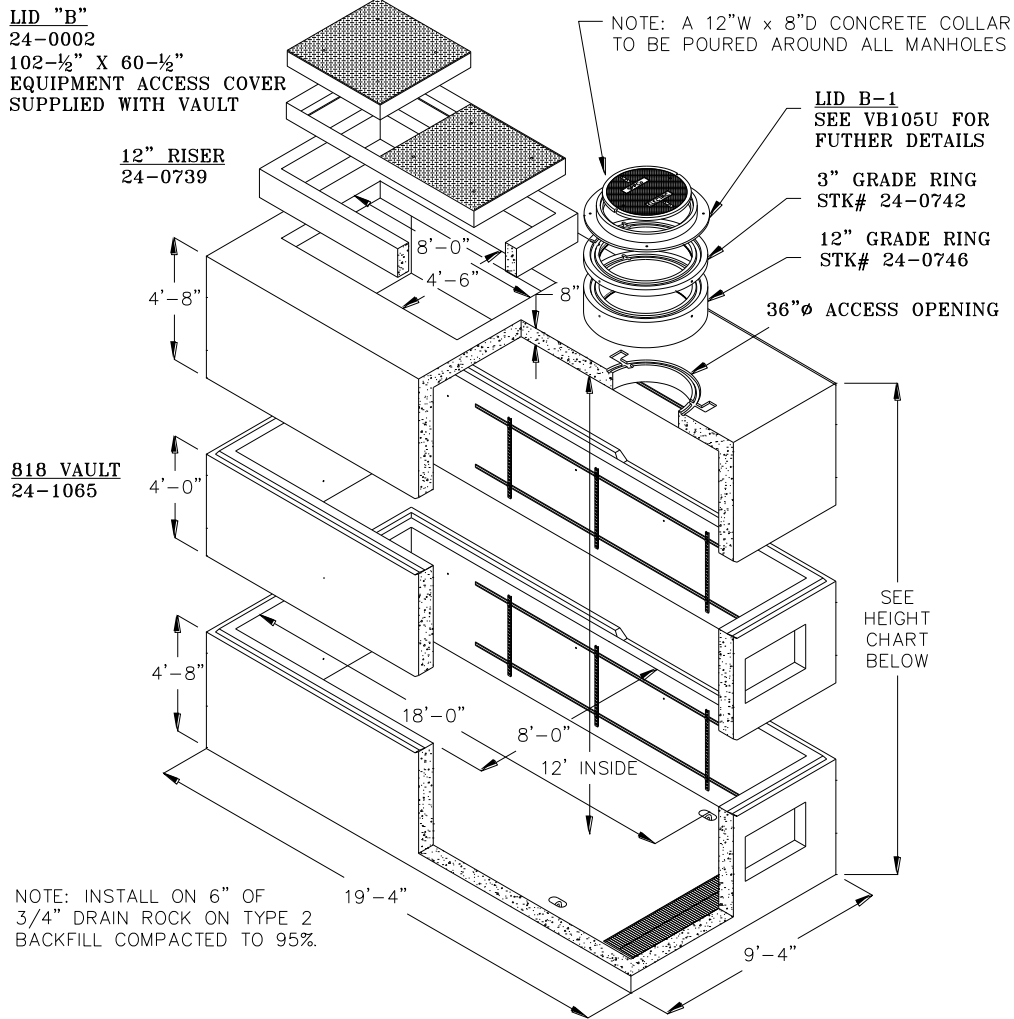


818 VAULT ISOMETRIC DETAIL



STK#	DESCRIPTION	WEIGHT (LBS)
24-1065	818 VAULT	82,000
24-0739	12" RISER FOR LID B	1,993
24-0002	LID B H-20 EQUIPMENT	5,200
24-1215	LID B-1 H-20 3' MANHOLE	800
24-0746	12" GRADE RING FOR MH	682
24-0744	6" GRADE RING FOR MH	341
24-0742	3" GRADE RING FOR MH	166
24-1340	LID D GRATE MAINT ONLY	700

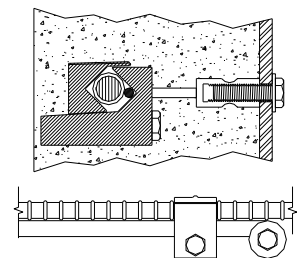
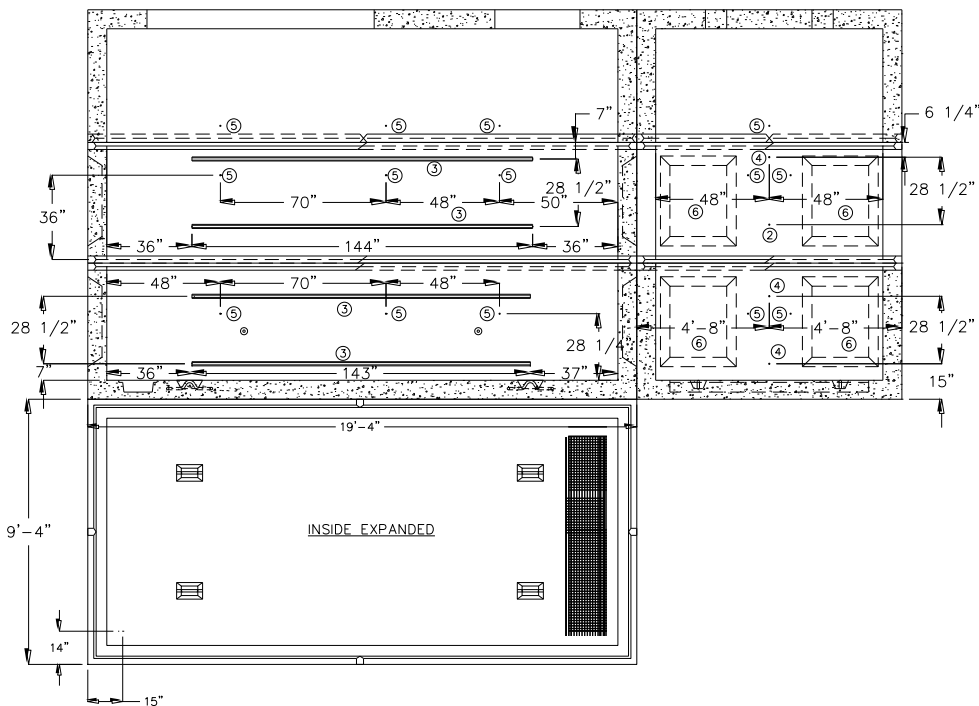
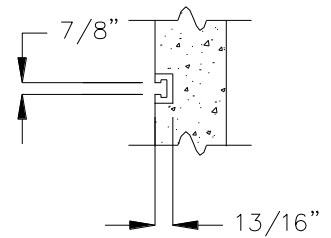
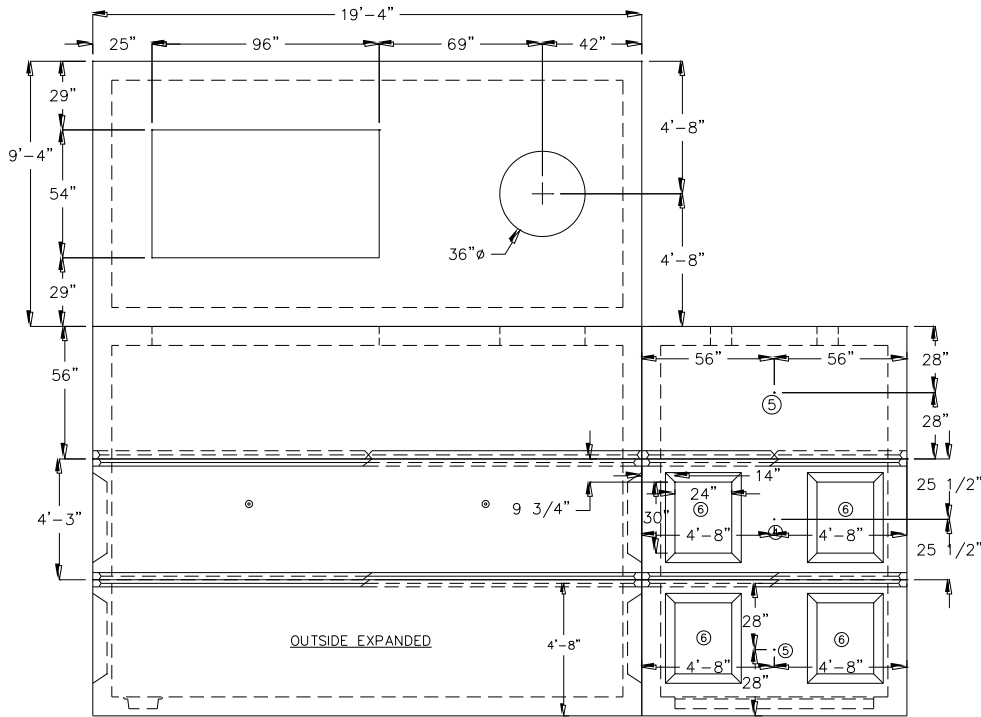
HEIGHT OF VAULT WITH CORRESPONDING LIDS	LADDER LENGTH
15'-0" WITH LIDS B & B-1	14'

NOTE: VAULT INCLUDES 12" RISER , LIDS B & B-1, AND 3" AND 12" GRADE RINGS FOR LID B-1


	VOLUME 17 – ENGINEERING & CONSTRUCTION STANDARD			VB0095U
	818 VAULT CONCRETE PRIMARY 8' X 18' X 12' I.D.			
Drawn:	Eng:	Appr:	Date:	Revision: 5
JVW	MB	DA	10/07	Page 1 of 4

818 VAULT EXPANDED VIEWS

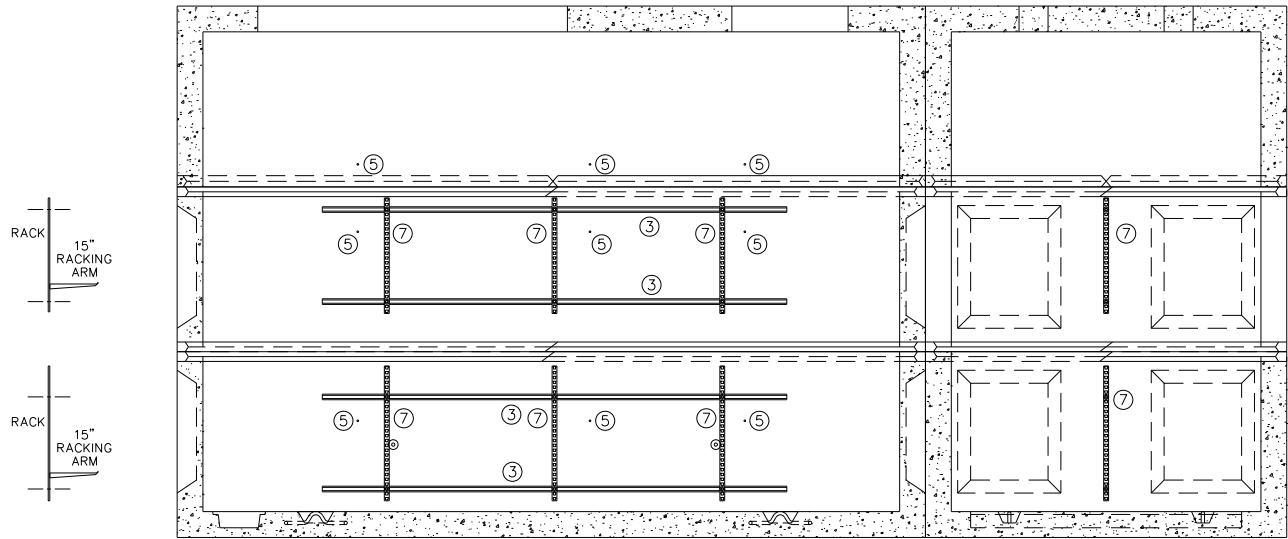
818 VAULT
EXPANDED VIEW DRAWING



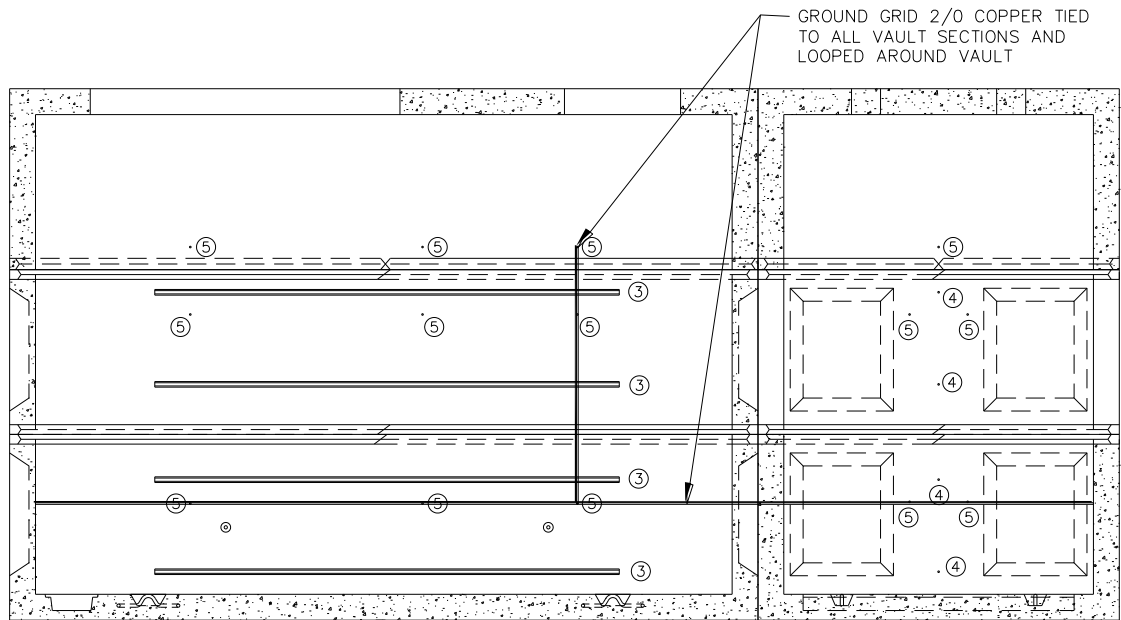
COPPER PIGTAIL TO BE SECURED TIGHTLY TO REINFORCING BAR WITH CLAMP BEFORE POURING CONCRETE.

				VOLUME 17 – ENGINEERING & CONSTRUCTION STANDARD		VB0095U
				818 VAULT CONCRETE PRIMARY 8' X 18' X 12' I.D.		
Drawn:	Eng:	Appr:	Date:	Revision: 5		Page 2 of 4
JVW	MB	DA	10/07			

GROUNDING GRID INSTALLATION DETAIL




INSIDE EXPANDED SIDE & END WALL
RACK APPLICATIONS WITH ARMS



INSIDE EXPANDED SIDE WALL
GROUNDING APPLICATIONS AND INSERTS

EQUIPMENT INSTALLATION GROUNDING GRID:

INSTALL 62' OF 2/0 COPPER GROUND GRID. TIE TO ALL SECTIONS AND LOOP THROUGH 12 GROUNDING LUGS ATTACHED TO 1/2" GROUNDING INSERTS AROUND VAULT AND BUS TO TRANSFORMER, SWITCH, CONCENTRIC NEUTRAL, J-BAR OR BRACKET.


	VOLUME 17 – ENGINEERING & CONSTRUCTION STANDARD			VB0095U
	818 VAULT CONCRETE PRIMARY 8' X 18' X 12' I.D.			
Drawn:	Eng:	Appr:	Date:	Revision: 5
JVV	MB	DA	10/07	Page 3 of 4

818 VAULT CONSTRUCTION NOTES:

- Vault to be used for H-20 traffic design loading. All live loads shall be for HS-20 - 44 (MS-18) as per AASHTO Standard Specification, Div 1, Sec.3
- Note: A minimum of 12 inches of vault cover is required.*
- Vault excavation and backfill to conform to NVE Specification SUB01X.
- Butyl rubber or neoprene gasket seal required between vault sections and/or extensions.
- Extensions and risers will be installed on all vaults.
- Unistrut (See detail A) or 1/2" inserts will be cast into vault.
- Lids to be marked "NVE Electric"
- All weights to be clearly marked
- 16 -15" steps are supplied with vault.
- Grounding: See expanded view for grounding applications and inserts.
- 2/0 CU (# 17-0910) grounding grid is required in this vault.
- Ladder and ladder-up required, See NVE Standard VB105U.
- Middle section is optional.
- Delivery of this vault requires coordination with the vault manufacturer.

MATERIAL LIST supplied by Vault Manufacturer		
	DESCRIPTION	QTY
1	PULLING IRON 2 per corner	8
2	12" X 84" SUMP W/grate 2 sections	1
3	12' LONG UNISTRUT side walls	8
4	1/2" RACKING INSERT	8
5	1/2" GROUNDING INSERT, 28 inside - 6 outside	34
6	24" X 30" KNOCKOUT	8
7	24 HOLE RACK (35 3/4" LONG) extension	8
	28 HOLE RACK (41 3/4" LONG) base	8
9	SPRING NUT	24
10	1/2 X 1 1/2" BOLT	33
11	1/2" WASHER	34
12	1/2" BRASS GROUND WASHER, 1 top outside	1
13	15" ARM	16
14	LADDER UP	1
15	LADDER	1

MAXIMUM CONDUCTORS AND J-BARS					
VAULT	200 AMP PRIMARY	600 AMP PRIMARY	SECONDARY	EQUIPMENT	J BARS 3, 4 OR 5 WAY
818	48 24	0 24	4 RUNS < 750 QX OR TX	1 < 225 KVA 2-6 POS SWITCHES	3 TOTAL CHECK WITH OPERATIONS
NOTE: REFER TO CAB09U VOLUME 5 FOR COMPLETE APPLICATION					

	VOLUME 17 – ENGINEERING & CONSTRUCTION STANDARD			VB0095U
	818 VAULT CONCRETE PRIMARY 8' X 18' X 12' I.D.			
Drawn:	Eng:	Appr:	Date:	Revision: 5
JVV	MB	DA	10/07	Page 4 of 4