

**PAD AND WELL DETAILS FOR TRANSFORMERS,  
SWITCHES CAPACITORS AND JUNCTION ENCLOSURES**

**1.0 INDEX**

- 1.0 INDEX
- 2.0 PURPOSE
- 3.0 PAD DIMENSIONS

**2.0 PURPOSE**

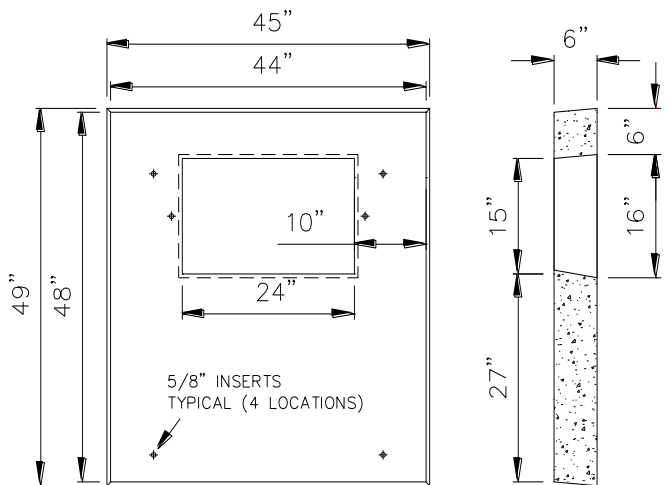
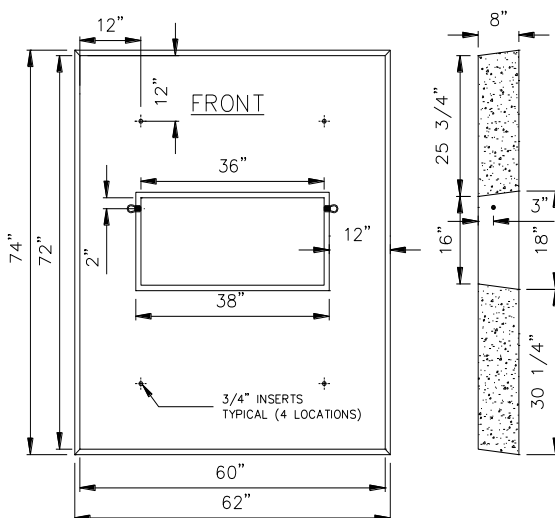
This guide is to provide footprint dimensions on pads used by NVE for pad mounted transformers, switches, and junction enclosures. All dimensions shown reflect the required measurements for each application. Standard construction designs will utilize pre-poured manufactured pads. Should a poured in place pad be required, each pad detail defines the reinforcement steel and specifications required. Refer to PAD01X, PAD02X, and PAD03X for drawings.


Conduit configurations for each installation will differ. A generic conduit layout has been provided on each pad drawing as an example. *NVE's Planners and Inspectors will provide guidance if configuration is Work Order specific.*

**3.0 PAD DIMENSIONS**

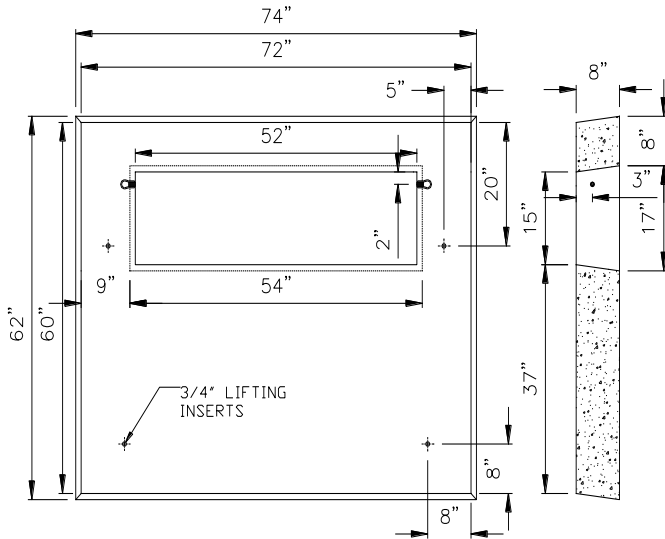
**NVE STOCK #24-0691**  
**200A / 600A INTERRUPTER**  
**REFER TO DRAWING PE0030U**

**NVE STOCK #24-0692**  
**SINGLE PHASE TRANSFORMERS - 81 SERIES**  
**PADMOUNT SWITCHES #25-3912, #25-3937**  
**REFER TO DRAWING PE0001U**

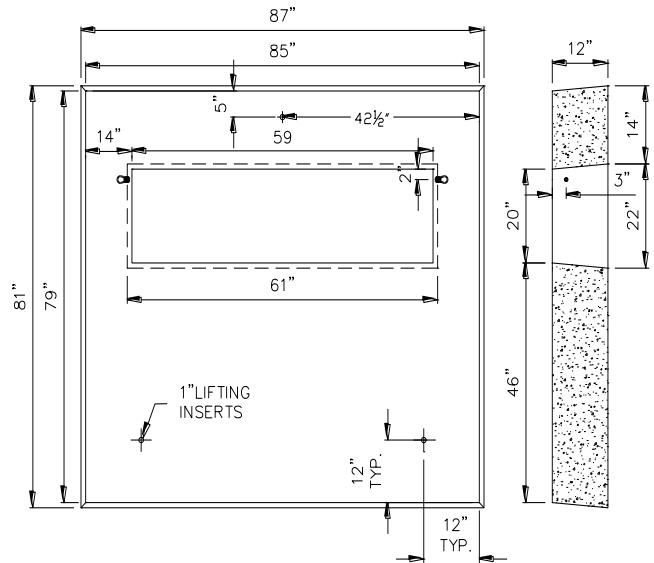


				<b>VOLUME 17 – ENGINEERING &amp; CONSTRUCTION STANDARD</b>		<b>PADMASTER</b>
				<b>PAD &amp; WELL DETAILS FOR TRANSFORMERS, SWITCHES, &amp; JUNCTION ENCLOSURES</b>		
Drawn: JVJ	Eng: MB	Appr: DA	Date: 11/16			Revision: 7
						Page 1 of 5

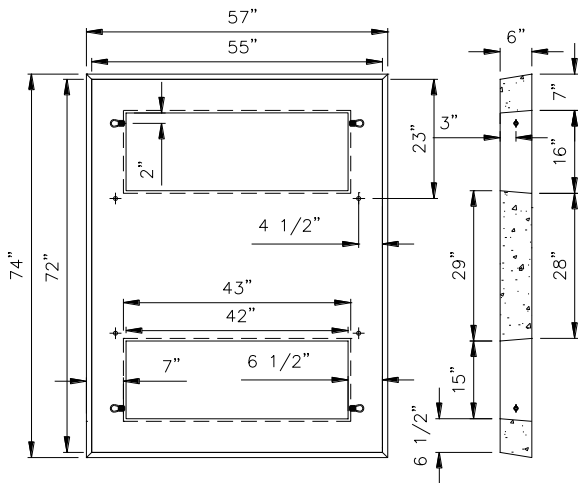
**NVE PAD STOCK #24-0694**  
**75kva - 500kva TRANSFORMERS**  
**86 SERIES**  
**REFER TO DRAWING PE0003U**



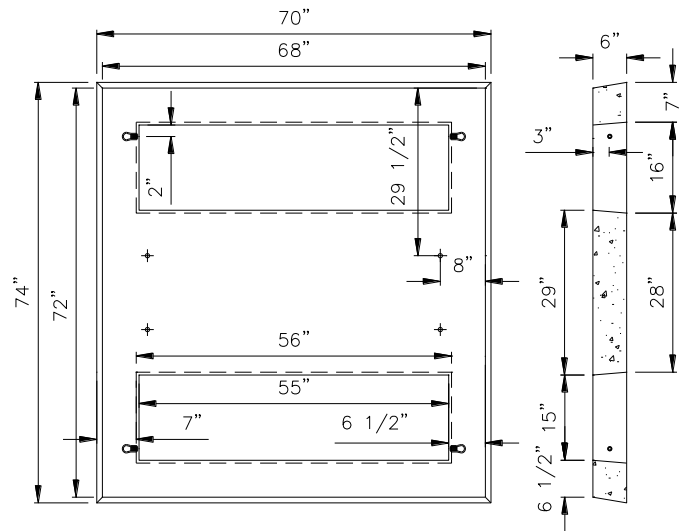
**NVE STOCK #24-0697**  
**750kva - 2500kva TRANSFORMERS**  
**86 SERIES**  
**PADMOUNT CAPACITOR**  
**REFER TO DRAWING PE0006U**



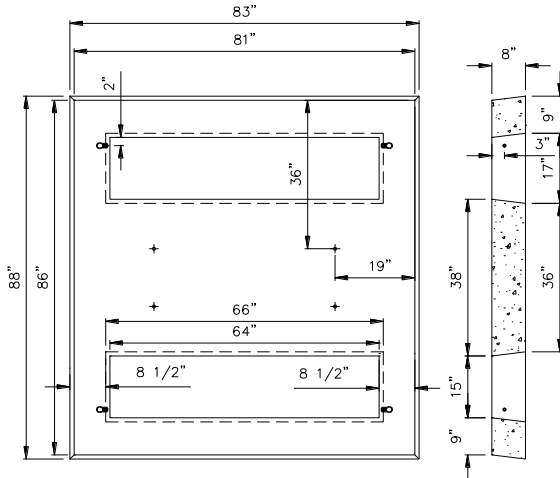
**NVE STOCK #24-0726**  
**PADMOUNT SWITCHES**  
**#25-3913 & #25-3924**



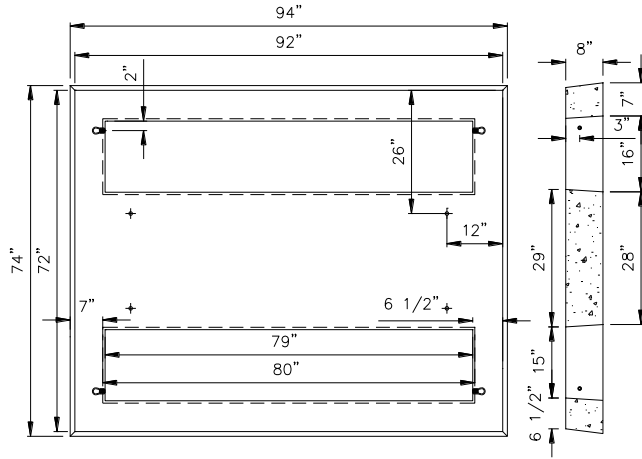
**NVE STOCK #24-0728**  
**PADMOUNT SWITCHES #25-3916,**  
**#25-3917, #25-3925**



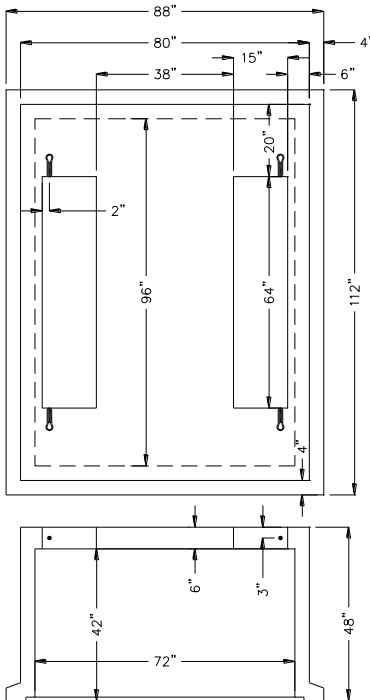
**NVE STOCK #24-0732**  
**PADMOUNT VFI SWITCH #25-3928& #25-3932 OPENING "E1"**  
**REFER TO DRAWING PE0014U**



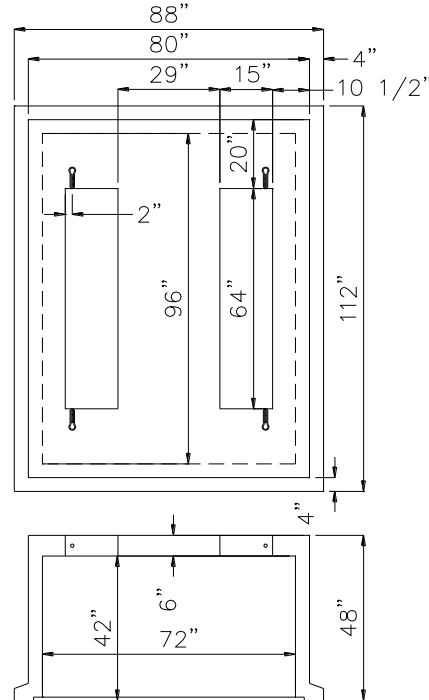
**NVE STOCK #24-0736**  
**PADMOUNT SWITCH #25-3918**  
**OPENING "G"**  
**REFER TO DRAWING PE0015U**



**NVE STOCK #24-0730**  
**PADMOUNT SWITCH #25-3934 & #25-3931**  
**SWITCH PAD WELL OPENING "E1"**



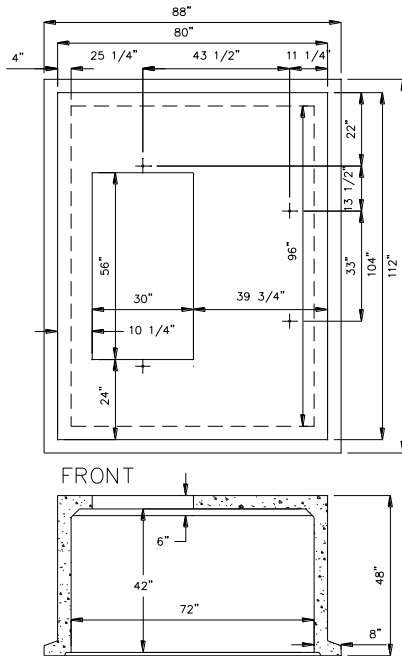
**NVE STOCK #24-0738**  
**PADMOUNT SWITCH #25-3922 & 25-3923**  
**SWITCH PAD WELL OPENING "G"**  
**REFER TO DRAWING PE0018U**



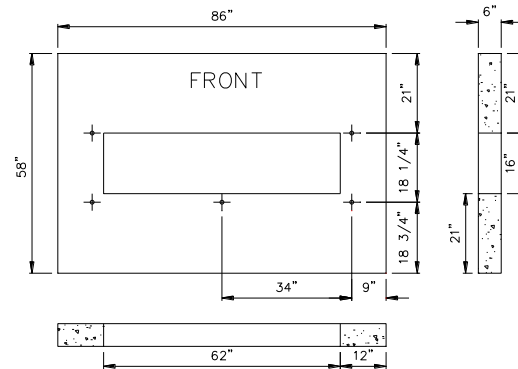
**PAD & WELL DETAILS FOR TRANSFORMERS, SWITCHES,  
CAPACITORS & JUNCTION ENCLOSURES**

**PADMASTER**

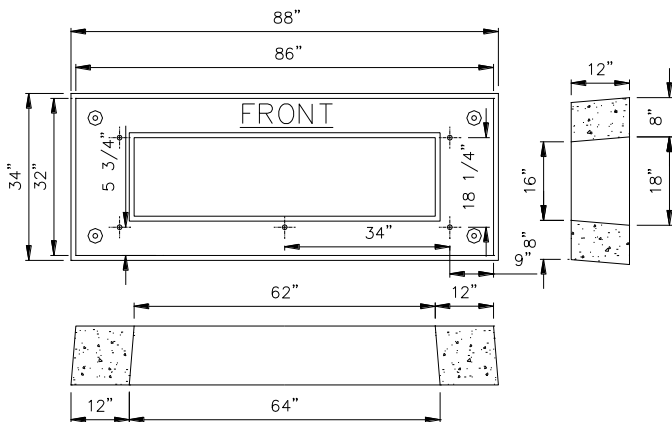
**NVE STOCK #24-0731**  
**PADMOUNT PRIMARY METERING**  
**SWITCH PAD WELL**  
 REFER TO DRAWING PE0023U



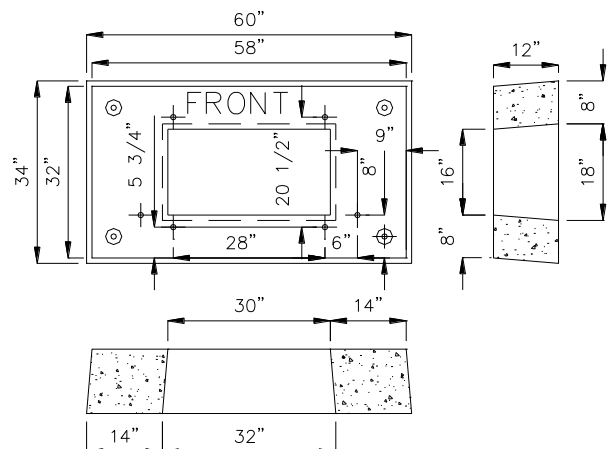
**NVE STOCK #24-0724**  
**3Ø JUNCTION ENCLOSURE #25-2130**  
 USED FOR 504 VAULT CONVERSIONS  
 REFER TO DRAWING PE0025U



**NVE STOCK #24-0722**  
 FOR USE WITH 3Ø STEEL  
 JE #25-2130



**NVE STOCK #24-0721**  
 FOR USE WITH 1Ø STEEL  
 JE'S #25-2120 & 25-2125



				VOLUME 17 – ENGINEERING & CONSTRUCTION STANDARD		PADMASTER	
				PAD & WELL DETAILS FOR TRANSFORMERS, SWITCHES, & JUNCTION ENCLOSURES			
Drawn:	Eng:	Appr:	Date:				
JVV	MB	DA	11/16				

**PAD & WELL DETAILS FOR TRANSFORMERS, SWITCHES,  
CAPACITORS & JUNCTION ENCLOSURES**

**PADMASTER**

**SWITCH "EASY-REFERENCE" SUMMARY TABLE**

Vol. 5 SSP 'U' Reference.	Pad/Wells/Vault Stock Numbers (sizes)	Vol. 17 Ref.	Switch #	25KV Switch Description
SSP01U	24-0692 pad (44" x 48" X 6")	PE0001U	25-3912	1P, 200AMP, 2 WAY, 1 FUSE WAY, 2UBW
SSP02U	24-0726 pad (55" X 72" x 6")	PE0012U	25-3913	3P, 200AMP, 2 WAY, 1 FUSE WAY, 6UBW
SSP05U	24-0728 pad (68" x 72" x 6")	PE0013U	25-3916	3P, 200AMP, 4 WAY, 0 FUSE WAY, 12UBW
SSP06U, maint. only. (See SSP30U, new)	24-0728 pad (68" x 72" x 6")	PE0013U	25-3917	3P, 200AMP, 4 WAY, 1 FUSE WAY, 12UBW
SSP07U, maint. only. (See SSP30U, new)	24-0736 pad (92" x 72" x 8")	PE0015U	25-3918	3P, 200AMP, 4 WAY, 2 FUSE WAY, 12UBW
SSP15U well SSP16U vault	24-0734 (well) 24-1077 (612 vault)	PE0017U VB0085U	25-3921	3P, 600AMP, 4 WAY, 0 FUSE WAY, 0UBW
SSP18U well, maint. only SSP19U vault, maint. only (See SSP38/39U, new)	24-0738 (well) 24-1076 (612 vault)	PE0018U VB0085U	25-3922	3P, 600/200AMP, 4 WAY, 1 FUSE WAY, 3UBW
SSP21U well, maint. only SSP22U vault, maint. only (See SSP32/33U, new)	24-0738 (well) 24-1076 (612 vault)	PE0018U VB0085U	25-3923	3P, 600/200AMP, 4 WAY, 2 FUSE WAY, 6UBW
SSP30U	24-0732 pad (81" x 86" x 8")	PE00014	25-3928	3P, 200AMP, 4 WAY, 2 VFI, 12UBW
SSP32U SSP33U	24-0730 (well) 24-1075 (612 vault)	PE0016U VB0085U	25-3931	3P, 600/200AMP, 4 WAY, 2 VFI, 6UBW
SSP38U SSP39U	24-0730 (well) 24-1075 (612 vault)	PE0016U VB0085U	25-3934	3P, 600/200AMP, 4 WAY, 1 VFI, 3UBW
SSP50U	24-0692 pad (44" x 48" x 6")	PE0001U	25-3937	1P, 200AMP, 3 WAY, 2 FUSE WAY, 4UBW
SSP52U	24-0726 pad (57" X 74" x 6")	PE0012U	25-3924	3P/1P, 200AMP, 4 WAY, 3P UNSWITCHED, 3-1P FUSED, 6UBW
SSP54U, maint. Only (See SSP56U, new)	24-0728 pad (70" X 74" x 6")	PE0013U	25-3925	3P/1P, 200AMP, 5 WAY, 3P SWITCHED, 3-1P FUSED, 9UBW
SSP56U	24-0732 pad (81" x 86" x 8")	PE0014U	25-3932	3P/1P, 200AMP, 5 WAY, 3P SWITCHED, 3-1P VFI, 9UBW
PPM01U	24-0731 (well)	PE0023U	PRIMARY METER	PRIMARY METERING 200 / 600AMP
To Be Drawn	24-0697 pad	PE0006U	89-2990 89-2995	PADMOUNT CAPACITOR
To Be Drawn	24-0735 (well)	To Be Drawn	25-3936	3P, 600/200 AMP, 4 WAY, 2VFI, 12 (600A) UBW

	<b>VOLUME 17 – ENGINEERING &amp; CONSTRUCTION STANDARD</b>				<b>PADMASTER</b>
	<b>PAD &amp; WELL DETAILS FOR TRANSFORMERS, SWITCHES, &amp; JUNCTION ENCLOSURES</b>				
Drawn:	Eng:	Appr:	Date:	Revision: 7	
JVV	MB	DA	11/16	Page 5 of 5	