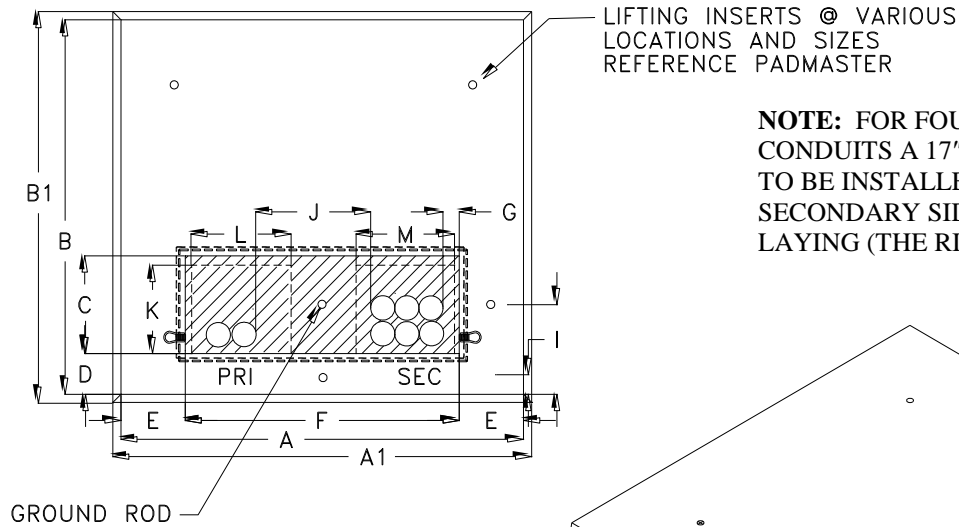


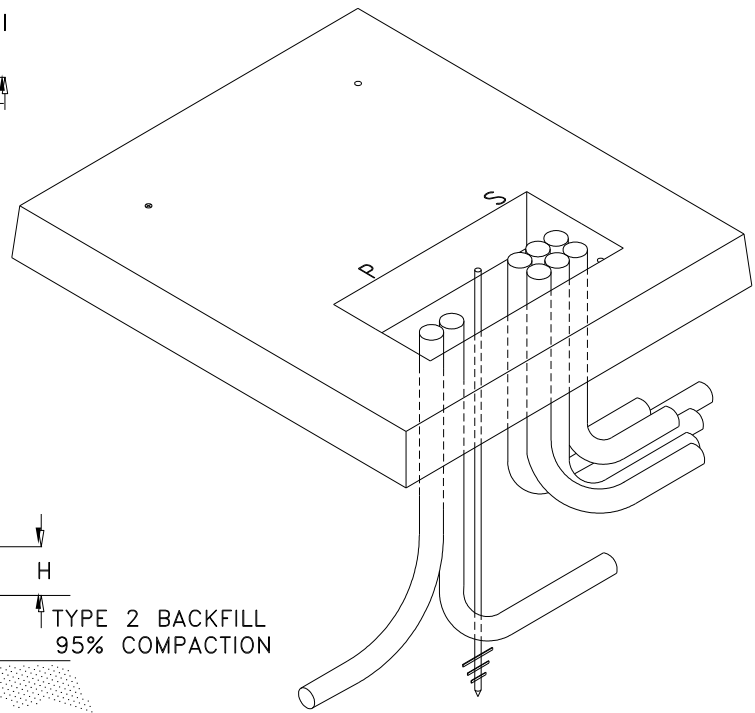
**TRANSFORMER PAD 3Ø- RADIAL/LOOPING 75 – 2500 KVA
PADMOUNT CAPACITOR PAD**

**PE0003U
PE0006U**

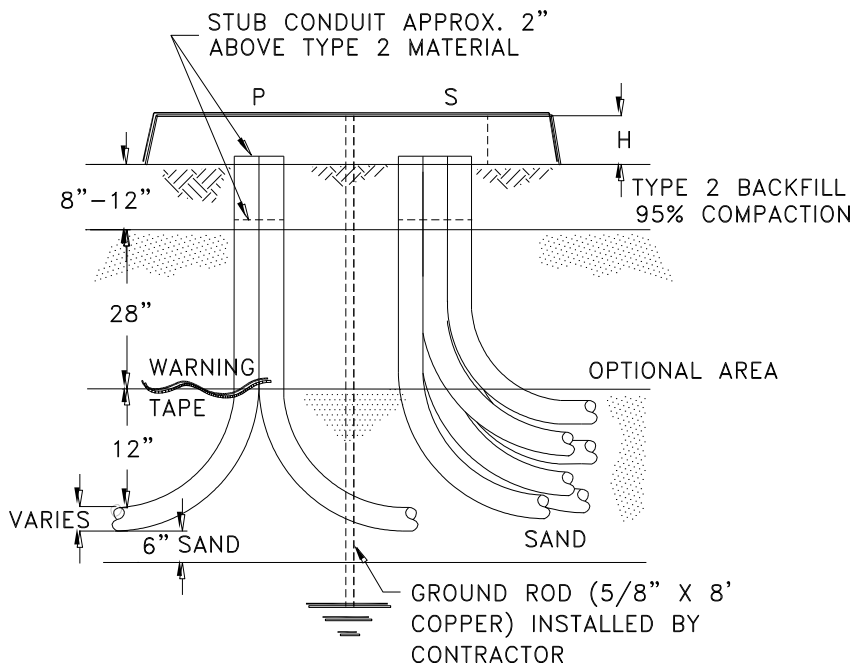


TOP VIEW

NOTE: FOR FOUR (4) OR MORE SECONDARY CONDUITS A 17" X 30", 12" BOX EXTENSION IS TO BE INSTALLED UNDER THE PAD ON THE SECONDARY SIDE TO FACILITATE CABLE LAYING (THE RIGHT SIDE OF THE PAD).



ISOMETRIC VIEW



ELEVATION VIEW

	VOLUME 17 – ENGINEERING & CONSTRUCTION STANDARD			PE0003U PE0006U
	TRANSFORMER PAD 3Ø- RADIAL/LOOPING 75 – 2500 KVA PADMOUNT CAPACITOR			
Drawn:	Eng:	Appr:	Date:	Revision: 10
RN	MB	DA	5/17	Page 1 of 2

**TRANSFORMER PAD 3Ø- RADIAL/LOOPING 75 – 2500 KVA
PADMOUNT CAPACITOR PAD**

**PE0003U
PE0006U**

NVE DRAWING. # 3 Ø XFMR PADS	A	A1	B	B1	C	D	E	F	G	H	I	J	K	L	M	WEIGHT (lbs.)
PE0003U (75-500 KVA) LOOP OR SWITCHING STOCK # 24-0694	72"	74"	60"	62"	15"	8"	10"	52"	2"	8"	20"	24"	11"	25"	18"	2600
PE0006U (750-2500 KVA) LOOP OR SWITCHING PADMOUNT CAPACITOR STOCK # 24-0697	85"	87"	79"	81"	20"	14"	10"	61"	2"	12"	5"	26"	14"	30"	26"	5900


** See PADMASTER for exact dimensions **

CONSTRUCTION NOTES

1. CONDUITS TO BE IN PROPER CONFIGURATION TO ALLOW CONDUIT SPACING AND PLUGGED PER CD0001U, SECTION 12.1.
2. 8" - 12" TYPE 2 BACKFILL TO BE COMPACTED AT 95%. SEE SECTION 5.0 OF SUB01X, VOLUME 17, AND SECTION3.
3. SAND AREA TO BE COMPACTED AT 90%. 12" OF SAND MUST COVER THE CONDUIT.
4. IF FOUR OR MORE SECONDARY CONDUITS A (17" X 30") 12" BOX EXTENSION IS REQUIRED TO BE INSTALLED BELOW THE PAD ON THE SECONDARY SIDE TO FACILITATE CABLE LAYING.
5. GROUND ROD (5/8" X 8' COPPER-CLAD), TO BE INSTALLED BY DEVELOPER. TELEPHONE AND CABLE TV GROUND WIRE TO BE ATTACHED BY APPLICANT.

ENGINEERING NOTES

- A. ALL FIELD CAST PADS ARE TO BE BUILT TO NVEC SPECIFICATION - PAD01X AND MUST BE INSPECTED BY NVE PRIOR TO POURING CONCRETE.
- B. DO NOT CONCRETE SHADED AREAS.

	VOLUME 17 – ENGINEERING & CONSTRUCTION STANDARD				PE0003U PE0006U
	TRANSFORMER PAD 3Ø- RADIAL/LOOPING 75 – 2500 KVA PADMOUNT CAPACITOR				
Drawn:	Eng:	Appr:	Date:	Revision: 10	
RN	MB	DA	5/17	Page 2 of 2	