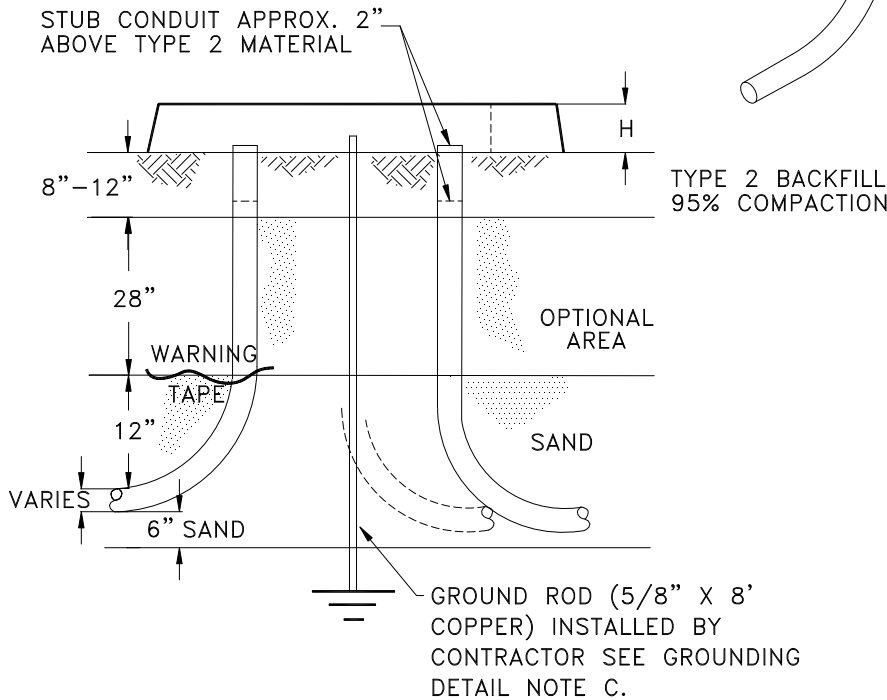
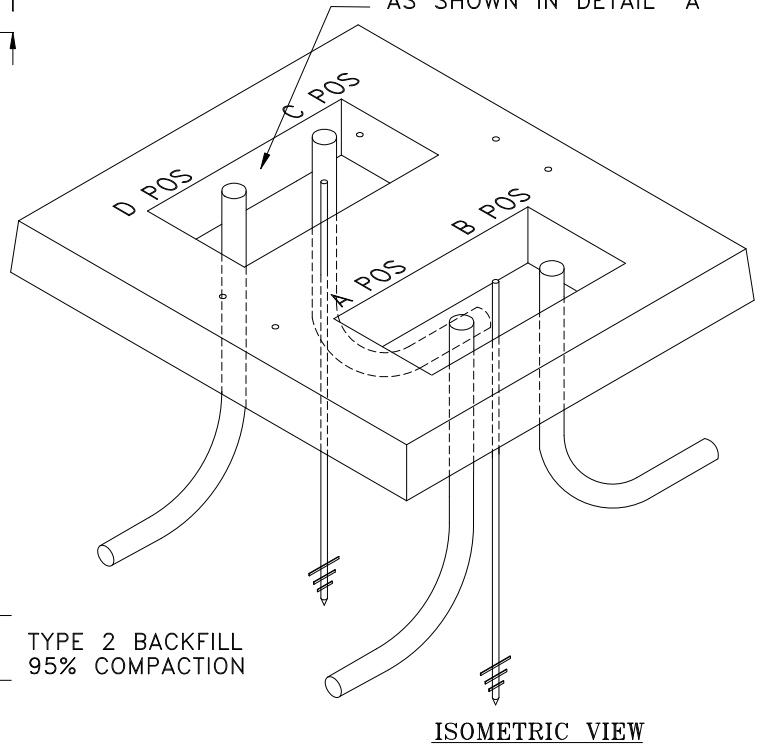



*IF USING SWITCH #25-3932, POSITION CONDUITS: C, D, E, AS SHOWN IN DETAIL "A"



				VOLUME 17 – ENGINEERING & CONSTRUCTION STANDARD		PE0012U PE0013U PE0014U PE0015U	
				200 AMP 3Ø SWITCH PAD DETAILS			
Drawn:	Eng:	Appr:	Date:				
RN	MB	DA	9/11				


NVE DWG. # SWITCH PADS	A	A1	B	B1	C	D	E	F	G	H	I	J	K	L	WEIGHT (lbs.)
PE0012U PADMOUNTED SWITCH PAD STOCK # 24-0726	55"	57"	72"	74"	15"	6-1/2"	6-1/2"	42"	7-1/2"	6"	16"	20"	6-1/2"	29"	1431
PE0013U PADMOUNTED SWITCH PAD STOCK # 24-0728	68"	70"	72"	74"	15"	6-1/2"	6-1/2"	55"	2"	6"	16"	22"	6-1/2"	29"	1690
PE0014U PADMOUNTED SWITCH PAD STOCK # 24-0732	81"	83"	86"	88"	15"	9"	4"	64"	-	8"	16"	22"	8"	38"	2650
PE0015U PADMOUNTED SWITCH PAD STOCK # 24-0736	92"	94"	72"	74"	15"	6-1/2"	6-1/2"	79"	2"	8"	16"	39"	6-1/2"	29"	3000

CONSTRUCTION NOTES

1. CONDUITS TO BE IN PROPER CONFIGURATION TO ALLOW CONDUIT SPACING AND PLUGGED PER CD0001U, SECTION 12.1.
2. 8" - 12" TYPE 2 BACKFILL TO BE COMPACTED AT 95%. SEE SECTION 5.0 OF SUB01X, VOL. 17, SECTION 3.0.
3. SAND AREA TO BE COMPACTED AT 90%. 12" OF SAND MUST COVER THE CONDUIT.
4. GROUND ROD (5/8" X 8' COPPER-CLAD), TO BE INSTALLED BY DEVELOPER. TELEPHONE AND CABLE TV GROUND WIRE TO BE ATTACHED BY APPLICANT.

ENGINEERING NOTES

- A. ALL FIELD CAST PADS ARE TO BE BUILT TO NVE'S SPECIFICATION - PAD01X - AND **MUST** BE INSPECTED BY NVE PRIOR TO POURING CONCRETE.
- B. DO NOT CONCRETE SHADED AREAS.

				VOLUME 17 – ENGINEERING & CONSTRUCTION STANDARD				PE0012U PE0013U PE0014U PE0015U	
				200 AMP 3Ø SWITCH PAD DETAILS					
Drawn:	Eng:	Appr:	Date:					Revision: 4	
RN	MB	DA	9/11					Page 2 of 2	