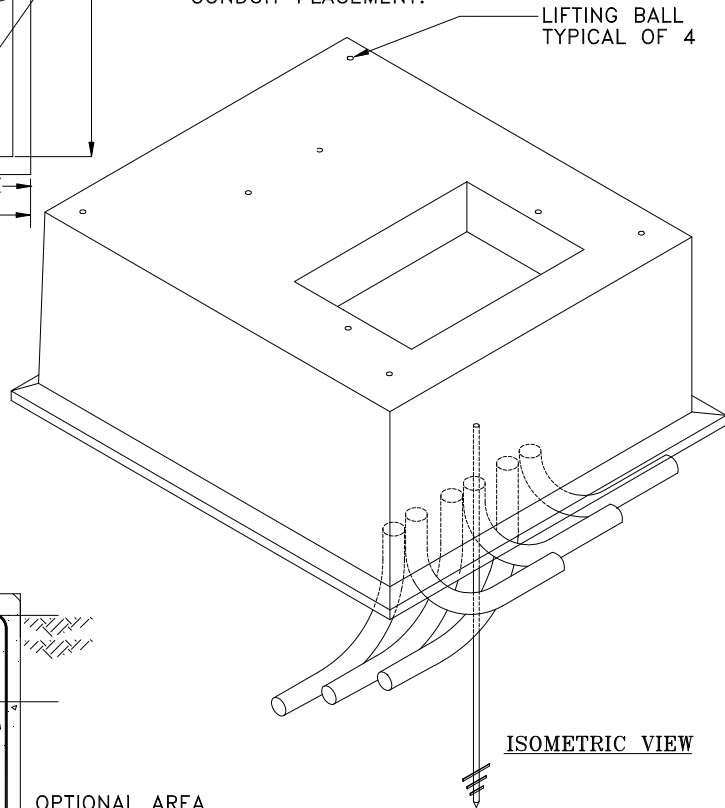


*NOTE: SEE PPM01U-PPM04U VOLUME 5 FOR COMPATIBLE UNIT.

1/2" HOLD DOWN INSERTS TYPICAL OF 4

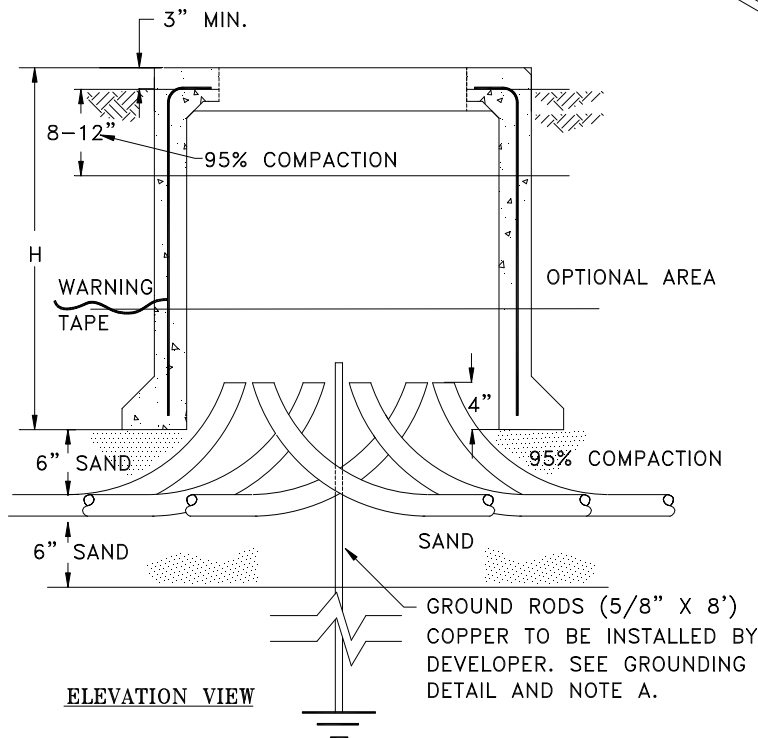
SEE DETAIL A & B FOR CONDUIT PLACEMENT.

LIFTING BALL TYPICAL OF 4



ISOMETRIC VIEW

SAFETY - CUSTOMER'S RESPONSIBILITY:
THE WELL OPENING WILL BE COVERED/SECURED UPON THE INSTALLATION OF THE WELL.



ELEVATION VIEW

VOLUME 17 - ENGINEERING & CONSTRUCTION STANDARD

PRIMARY METERING 200 / 600 AMP 3Ø PAD WELL DETAIL

PE0023U

Drawn:	Eng:	Appr:	Date:
RN	MB	DA	9/11

Revision: 4
Page 1 of 2



NVE DRWG. #	STOCK #	A	B	C	D	E	F	G	H	I	J	K	WEIGHT (LBS.)
PE0023U PRIMARY METERING PAD WELL	24-0731	113"	89"	105"	81"	24.5"	56"	10.25"	49"	SEE DET. A&B	30"	2.5"	9863

CONSTRUCTION NOTES:

1. CONDUITS TO BE IN PROPER CONFIGURATION TO ALLOW CONDUIT SPACING.
2. 12" CRUSHED GRAVEL COMPACTED AT 95%. SEE SUB01X 5.0.
3. SAND AREA COMPACTED AT 90%. 12" SAND MUST COVER CONDUIT. SEE SUB01X 2.0.
4. GROUND ROD (5/8" X 8' COPPER) AND 10' OF 2 STR COPPER, ATTACHED TO GROUND ROD, TO BE INSTALLED BY DEVELOPER. TELEPHONE & CABLE TV GROUND WIRE TO BE ATTACHED BY APPLICANT AT LOWEST POINT OF EXPOSED ROD.

