


**CONSTRUCTION NOTES**

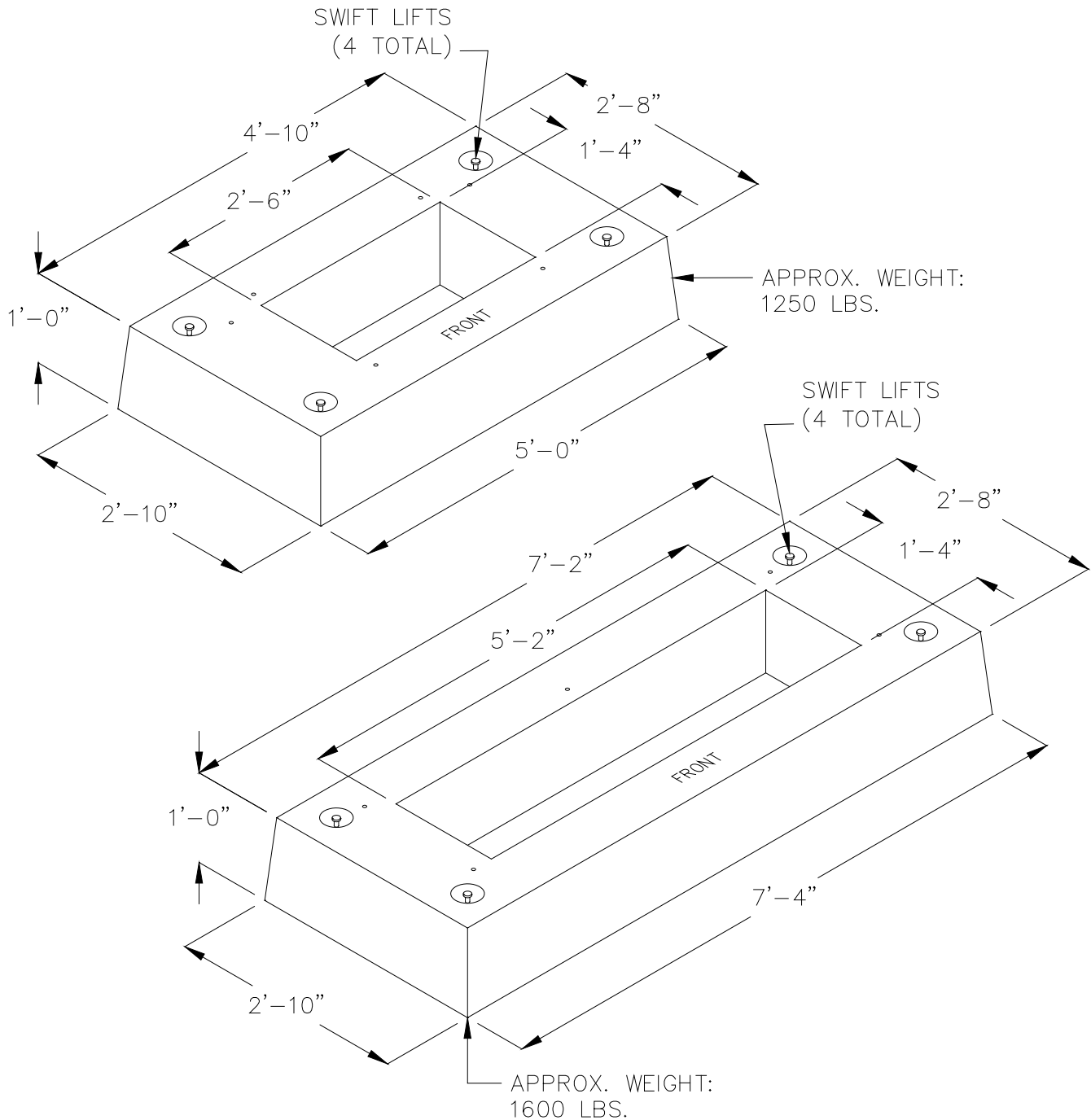
1. CONDUITS TO BE IN PROPER CONFIGURATION TO ALLOW CONDUIT SPACING AND PLUGGED PER CD0001U, SECTION 12.1.
2. 8" - 12" TYPE 2 BACKFILL TO BE COMPACTED AT 95%. SEE SUB01X 5.0, SECTION 3, VOLUME 17.
3. SAND AREA TO BE COMPACTED AT 90%, 12" OF SAND MUST COVER THE CONDUIT.
4. GROUND ROD (5/8" X 8' COPPER CLAD), TO BE INSTALLED BY DEVELOPER. TELEPHONE AND CABLE TV GROUND WIRE TO BE ATTACHED BY APPLICANT.
5. THIS PAD DRAWING IS FOR METAL JUNCTION ENCLOSURES, STK. #25-2120, 25-2125 & 25-2130.

**ENGINEERING NOTES**


- A. REFERENCE PAD MASTER FOR ADDITIONAL INFORMATION.

				VOLUME 17 – ENGINEERING & CONSTRUCTION STANDARD		PE0025U
				JUNCTION ENCLOSURE PAD 1Ø / 3 & 4 WIRE 3Ø / 4 WIRE		
Drawn:	Eng:	Appr:	Date:	Revision: 4		Page 1 of 2
RN	MB	DA	9/11			

**JUNCTION ENCLOSURE PAD DETAILS**



**24-0721 SINGLE /2 PHASE PAD**  
**24-0722 3-PHASE PAD**

				VOLUME 17 – ENGINEERING & CONSTRUCTION STANDARD		PE0025U
				JUNCTION ENCLOSURE PAD 1Ø / 3 & 4 WIRE 3Ø / 4 WIRE		
Drawn:	Eng:	Appr:	Date:			Revision: 4
RN	MB	DA	9/11			Page 2 of 2