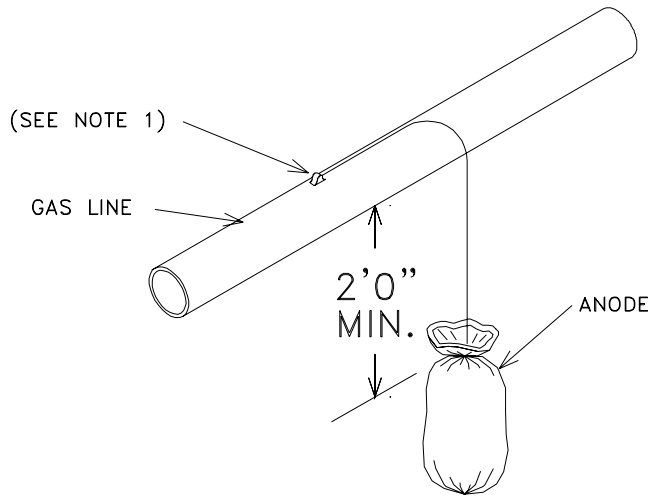


NOTES:

- 1) ALL WIRE CONNECTIONS TO STEEL PIPE TO BE CADWELDED AND COATED WITH PRIMER, PROTECTO-WRAP AND TAPE. USE CADWELD STOCK #47-0038. AND CALDWELD COPPER SLEEVE STOCK #47-0037.
- 2) ANODE CAN BE INSTALLED VERTICALLY OR HORIZONTALLY BUT MUST HAVE A MINIMAL RADIAL CLEARANCE OF TWO FEET FROM THE STEEL PIPE AND BE POSITIONED AT AN ELEVATION NO HIGHER THAN THE STEEL PIPE.



MATERIAL LIST

| STOCK # | QTY. | DESCRIPTION |
|---------|------|-------------------------------------|
| 47-0035 | 1.0 | ANODE MAGNESIUM 32 LB WITH COVERING |
| 47-0180 | 1.0 | PRIMER |
| 47-0260 | 0.2 | TAPE PROTECTO-WRAP 6 IN. X 50 FT. |
| 47-0290 | 0.2 | TAPE BLACK 1 IN. X 100 FT. |