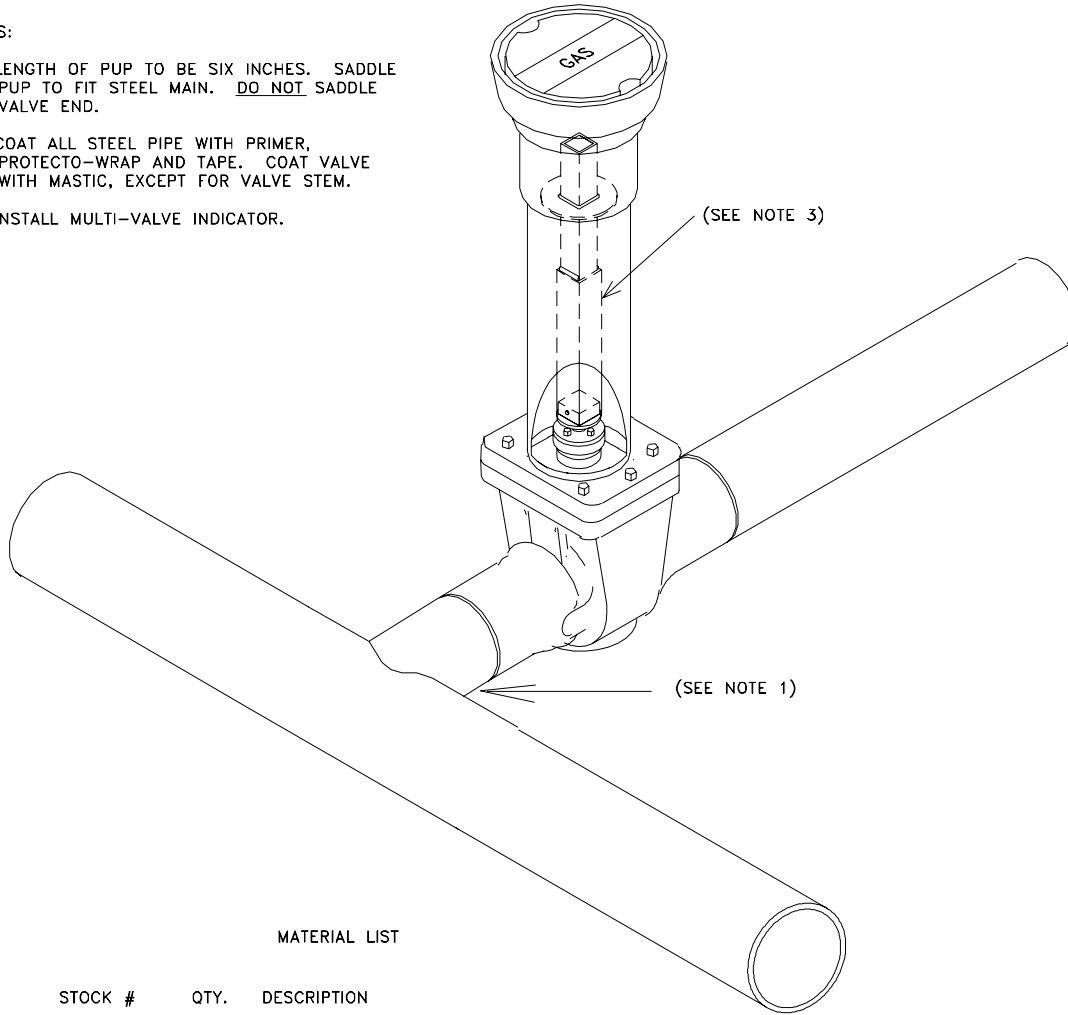


NOTES:

- 1) LENGTH OF PUP TO BE SIX INCHES. SADDLE PUP TO FIT STEEL MAIN. DO NOT SADDLE VALVE END.
- 2) COAT ALL STEEL PIPE WITH PRIMER, PROTECTO-WRAP AND TAPE. COAT VALVE WITH MASTIC, EXCEPT FOR VALVE STEM.
- 3) INSTALL MULTI-VALVE INDICATOR.



MATERIAL LIST

STOCK #	QTY.	DESCRIPTION
43-0140	1.0	VALVE 8" WELD ENDS
43-0035	1.0	EXTENSION STEEL VALVE INDICATOR
41-0220	1.0	PIPE 8-5/8" OD STEEL XTRU COAT API5L GRADE B
43-0010	1.0	BOX 6" VALVE CAST IRON
43-0095	1.0	COVER BOX VALVE GAS 6"
41-3000	3.0	PIPE PVC 6" SEWER 6.275 O.D. SDR 35 FOR VALVES
47-0260	1.0	TAPE PROTECTO-WRAP 6 IN. X 50 FT.
47-0300	1.0	TAPE BLACK 2 IN. X 100 FT.
47-0182	0.5	MASTIC
47-0180	0.5	PRIMER



ENGINEERING & CONSTRUCTION STANDARD

SECTION 5 GAS CONSTRUCTION DRAWINGS  
DISTRIBUTION BRANCH INSTALLATIONS  
12" STEEL RUN X 8" STEEL BRANCH

SHEET 15 OF 16

DRAWING NUMBER

**DB114G**

DRAWN	DESIGN	SUPR	DATE	REV
KS	KS	HB	5/98	7/06