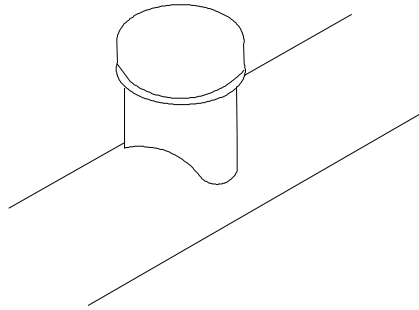


NOTES:

- 1) COAT ALL STEEL PIPE AND STOPPER WITH PRIMER, PROTECTO-WRAP AND TAPE.



MATERIAL LIST

STOCK #	QTY.	DESCRIPTION
45-2041	1.0	STOP 4" OD HALF FITTING
47-0260	1.0	TAPE PROTECTO-WRAP 6 IN. X 50 FT.
47-0300	1.0	TAPE BLACK 2 IN. X 100 FT.
47-0182	0.5	MASTIC
47-0180	0.5	PRIMER



ENGINEERING & CONSTRUCTION STANDARD

SECTION 5 GAS CONSTRUCTION DRAWINGS
DISTRIBUTION LINE STOPPERS
4" OD LINE STOPPER

SHEET 3 OF 10

DRAWING NUMBER

DLS02G

DRAWN	DESIGN	SUPR	DATE	REV
KS	KS	DS	5/98	7/06