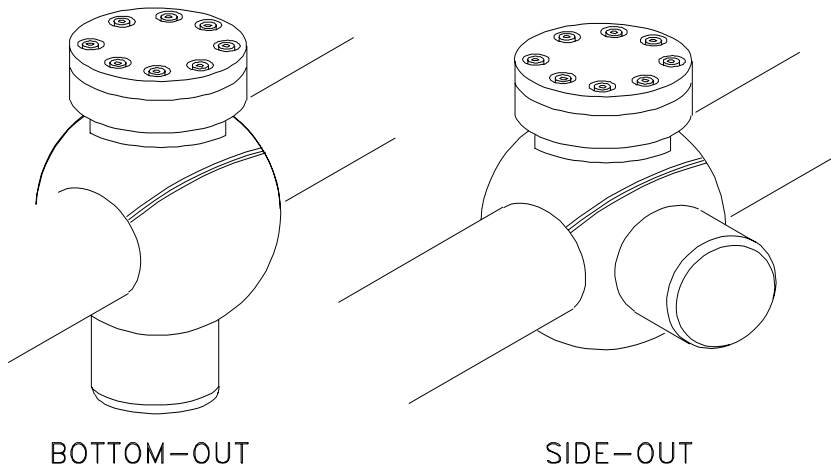


NOTES:

- 1) COAT ALL STEEL PIPE WITH PRIMER, PROTECTO-WRAP AND TAPE. COAT STOPPER WITH MASTIC.



MATERIAL LIST

STOCK #	QTY.	DESCRIPTION
45-2044	1.0	STOP 4" BOTTOM/SIDE-OUT SPHERICAL FITTING
47-0260	1.0	TAPE PROTECTO-WRAP 6 IN. X 50 FT.
47-0300	1.0	TAPE BLACK 2 IN. X 100 FT.
47-0182	0.5	MASTIC
47-0180	0.5	PRIMER



ENGINEERING & CONSTRUCTION STANDARD  
 SECTION 5 GAS CONSTRUCTION DRAWINGS  
 DISTRIBUTION LINE STOPPERS  
 4" LINE STOPPER BOTTOM/SIDE-OUT

SHEET 8 OF 10

DRAWING NUMBER

**DLS07G**

DRAWN	DESIGN	SUPR	DATE	REV
KS	KS	DS	5/98	7/06