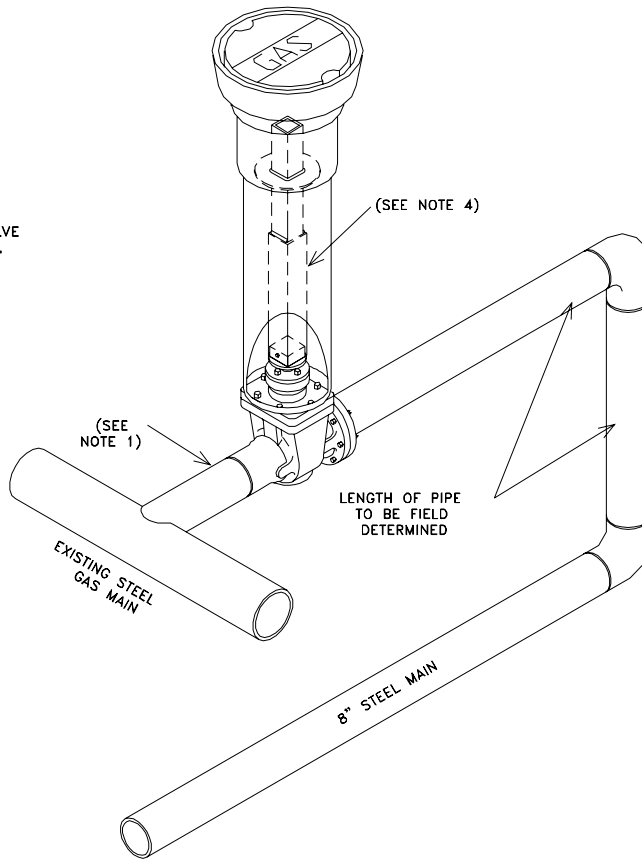


NOTES:

- 1) LENGTH OF PUP TO BE SIX INCHES. SADDLE PUP TO FIT STEEL MAIN. DO NOT SADDLE VALVE END.
- 2) TEN FEET OF 8" XTC IS INCLUDED. ANY ADDITIONAL PIPE REQUIRED TO BE CALLED FOR BY PLANNER.
- 3) COAT ALL STEEL PIPE WITH PRIMER, PROTECTO-WRAP AND TAPE. COAT VALVE WITH MASTIC, EXCEPT FOR VALVE STEM.
- 4) INSTALL MULTI-TURN VALVE INDICATOR.



MATERIAL LIST

STOCK #	QTY.	DESCRIPTION
43-0147	1.0	VALVE 8" WELD X FLANGE
43-0035	1.0	EXTENSION STEEL VALVE INDICATOR
45-1030	1.0	FLANGE SLIP-ON WELDING 8"
41-0220	11.0	PIPE 8-5/8" OD STEEL XTRU COAT APISL GRADE B
45-0933	2.0	ELBOW WELDING 90 DEGREE 8" STD RADIUS
47-0060	1.0	GASKET FULL FACE 8 IN.
47-0400	8.0	BOLT MACHINE BLK HEX HEAD W/HEX NUT 3/4" X 3-1/2"
43-0010	1.0	BOX 6" VALVE CAST IRON
43-0095	1.0	COVER BOX VALVE GAS 6"
41-3000	3.0	PIPE PVC 6" SEWER 6.275 O.D. SDR 35 FOR VALVES
47-0260	1.0	TAPE PROTECTO-WRAP 6 IN. X 50 FT.
47-0300	1.0	TAPE BLACK 2 IN. X 100 FT.
47-0182	0.5	MASTIC
47-0180	0.5	PRIMER



ENGINEERING & CONSTRUCTION STANDARD

SHEET 19 OF 20

SECTION 5 GAS CONSTRUCTION DRAWINGS

DISTRIBUTION TAP INSTALLATIONS

REVERSE TAP

DRAWING NUMBER

DT117G

8" REVERSE TAP OFF 8", OR 12" STEEL

DRAWN	DESIGN	SUPR	DATE	REV
GD	KS	HB	5/98	7/06