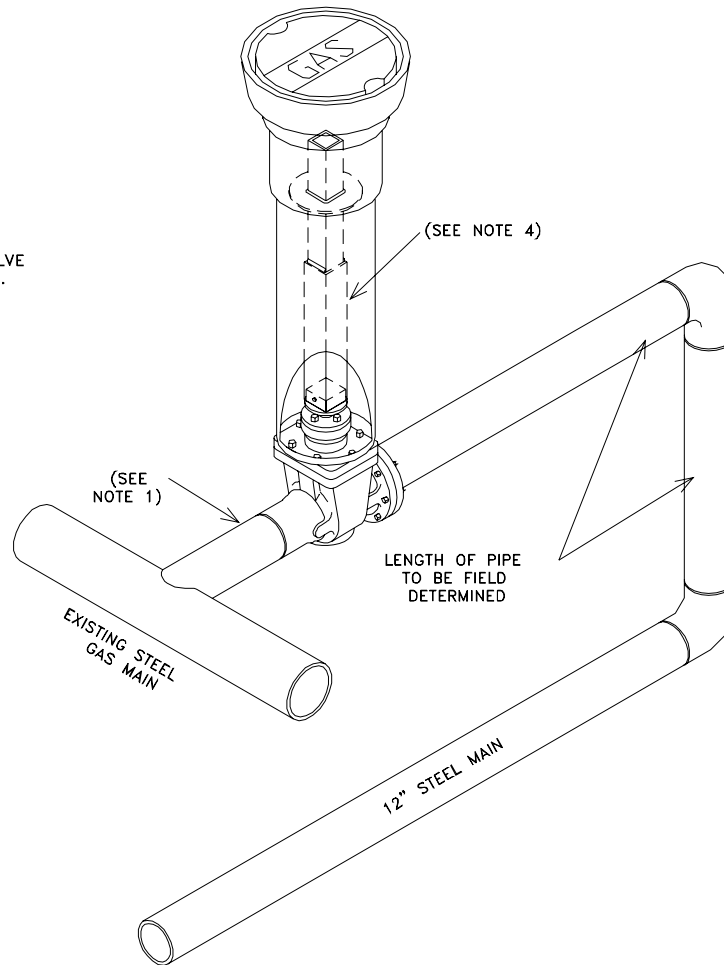


NOTES:

- 1) LENGTH OF PUP TO BE SIX INCHES. SADDLE PUP TO FIT STEEL MAIN. DO NOT SADDLE VALVE END.
- 2) TEN FEET OF 12" XTC IS INCLUDED. ANY ADDITIONAL PIPE REQUIRED TO BE CALLED FOR BY PLANNER.
- 3) COAT ALL STEEL PIPE WITH PRIMER, PROTECTO-WRAP AND TAPE. COAT VALVE WITH MASTIC, EXCEPT FOR VALVE STEM.
- 4) INSTALL MULTI-TURN VALVE INDICATOR.



MATERIAL LIST

| STOCK # | QTY. | DESCRIPTION                                    |
|---------|------|--|
| 43-0157 | 1.0  | VALVE 12" WELD X FLANGE                        |
| 43-0035 | 1.0  | EXTENSION STEEL VALVE INDICATOR                |
| 45-1050 | 1.0  | FLANGE SLIP-ON WELDING 12"                     |
| 41-0230 | 11.0 | PIPE 12-3/4" OD STEEL XTRU COAT API5L GRADE B  |
| 45-0939 | 2.0  | ELBOW WELDING 90 DEGREE 12" STD RADIUS         |
| 47-0065 | 1.0  | GASKET FULL FACE 12 IN.                        |
| 47-0410 | 12.0 | BOLT MACHINE BLK HEX HEAD W/HEX NUT 7/8" X 4"  |
| 43-0010 | 1.0  | BOX 6" VALVE CAST IRON                         |
| 43-0095 | 1.0  | COVER BOX VALVE GAS 6"                         |
| 41-3000 | 3.0  | PIPE PVC 6" SEWER 6.275 O.D. SDR 35 FOR VALVES |
| 47-0260 | 1.0  | TAPE PROTECTO-WRAP 6 IN. X 50 FT.              |
| 47-0300 | 1.0  | TAPE BLACK 2 IN. X 100 FT.                     |
| 47-0182 | 0.5  | MASTIC   |
| 47-0180 | 0.5  | PRIMER   |



ENGINEERING & CONSTRUCTION STANDARD  
 SECTION 5 GAS CONSTRUCTION DRAWINGS  
 DISTRIBUTION TAP INSTALLATIONS  
 REVERSE TAP  
 12" REVERSE TAP OFF 12" STEEL

SHEET 20 OF 20

DRAWING NUMBER  
**DT118G**

| DRAWN | DESIGN | SUPR | DATE | REV  |
|-------|--------|------|------|------|
| GD    | KS     | HB   | 5/98 | 7/06 |