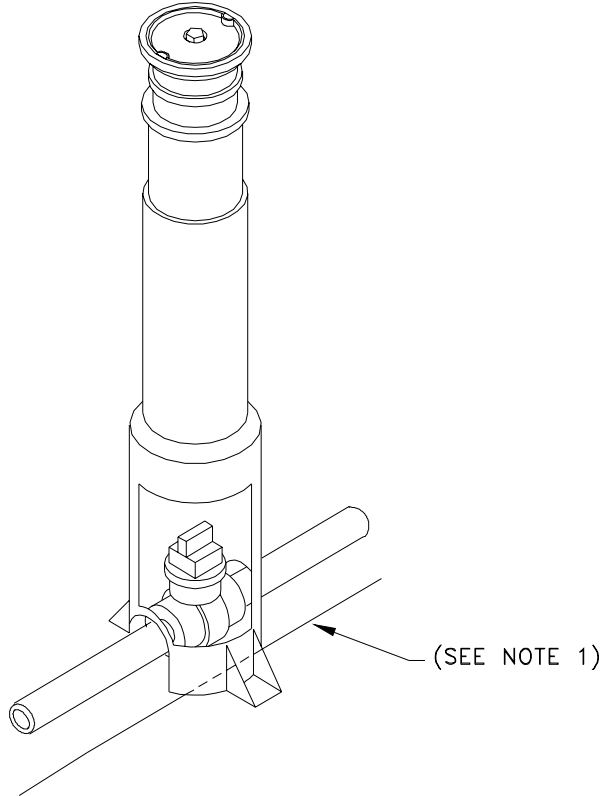


NOTES:

- 1) TRACER WIRE, STOCK ITEM #45-7500, TO BE INSTALLED PER THE GAS CONSTRUCTION SPECIFICATIONS.
- 2) ALL WIRE SPLICES TO BE MADE USING A SPLIT BOLT CONNECTOR WRAPPED WITH AQUA-SEAL AND ELECTRICAL TAPE.



MATERIAL LIST

STOCK #	QTY.	DESCRIPTION
43-2030	1.0	VALVE 2" PE3408
43-0018	1.0	BOX 1-1/4" AND 2" PE VALVES TRAFFIC RATED H-20



ENGINEERING & CONSTRUCTION STANDARD  
 SECTION 5 GAS CONSTRUCTION DRAWINGS  
 DISTRIBUTION VALVE INSTALLATIONS  
 2" PE VALVE

SHEET 2 OF 6

DRAWING NUMBER

**DVI01G**

DRAWN	DESIGN	SUPR	DATE	REV
KS	KS	DS	5/98	7/06