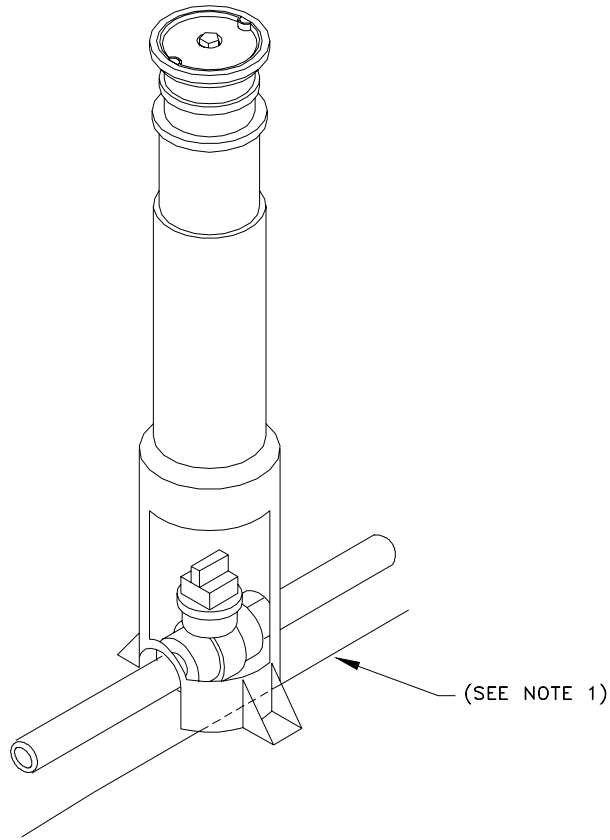


NOTES:

- 1) TRACER WIRE, STOCK ITEM #45-7500, TO BE INSTALLED PER THE GAS CONSTRUCTION SPECIFICATIONS.
- 2) ALL WIRE SPLICES TO BE MADE USING A SPLIT BOLT CONNECTOR WRAPPED WITH AQUA-SEAL AND ELECTRICAL TAPE.



MATERIAL LIST

STOCK #	QTY.	DESCRIPTION
43-2040	1.0	VALVE 4" PE3408
43-0020	1.0	BOX 3" & 4" PE VALVES TRAFFIC RATED H-20



ENGINEERING & CONSTRUCTION STANDARD

SECTION 5 GAS CONSTRUCTION DRAWINGS
DISTRIBUTION VALVE INSTALLATIONS

4" PE VALVE

SHEET 3 OF 6

DRAWING NUMBER

DVI02G

DRAWN	DESIGN	SUPR	DATE	REV
KS	KS	DS	5/98	7/06