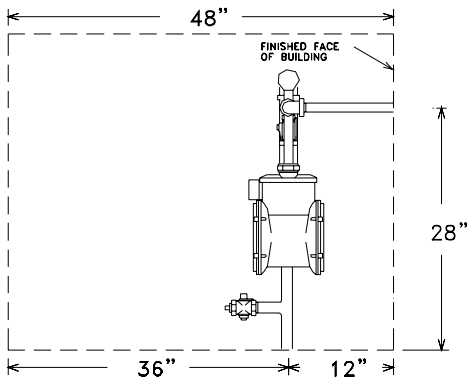


MATERIAL LIST



STOCK #	QTY.	DESCRIPTION
45-1310	1.0	NIPPLE PIPE 1 1/4" X 1 1/2" BLACK
45-1830	1.0	REDUCER 2" X 1 1/4" BLACK
45-1510	2.0	NIPPLE PIPE 2" X CLOSE BLACK
45-0760	1.0	ELBOW BLACK 90 DEGREE 2"
45-1107	1.0	MANIFOLD 7-METER 2" SCH 40 PIPE W/3" X 3/4" OUTLETS
43-0040	7.0	COCK GAS METER 3/4"
45-0720	7.0	ELBOW BLACK 90 DEGREE 3/4"
45-1110	7.0	NIPPLE PIPE 3/4" X 1 1/2" BLACK
45-1206	7.0	NIPPLE PIPE 3/4" X 12" BLACK
45-2100	7.0	TEE PIPE 3/4" BLACK
45-1710	7.0	PLUG PIPE 3/4" BLACK

NOTES:

- A) THIS COMPATIBLE UNIT REQUIRES A 1 1/4" RISER.
- B) DASHED LINE REPRESENTS MINIMUM SPACE REQUIREMENTS FOR THIS METER SET.
- C) REGULATOR AND ORIFICE TO BE SIZED AND DISTRIBUTED BY THE GAS METER SHOP.
- D) HOUSE LINES MUST HAVE METAL TAGS STAMPED WITH ADDRESS.
- E) CUSTOMER SHALL STUB OUT HOUSE LINES 4" FROM FINISH FACE OF THE BUILDING AND INSTALL 3/4" 90 DEGREE ELBOWS HAND TIGHT.
- F) DIMENSIONS ABOVE ARE MINIMUM REQUIREMENTS FOR METER ACCESSIBILITY. ADDITIONAL GAS METER LOCATION REQUIREMENTS IN SECTION 6 OF THIS VOLUME MUST ALSO BE ADHERED TO.

DRAWN	DESIGN	SUPR	DATE	REV
GD	KS	DS	5/98	7/06