

ENGINEERING & CONSTRUCTION STANDARD
SECTION 5 GAS METER INSTALLATIONS
GAS METER INSTALLATIONS
METER SET
2300 CFH

SHEET 36 OF 55

DRAWING NUMBER

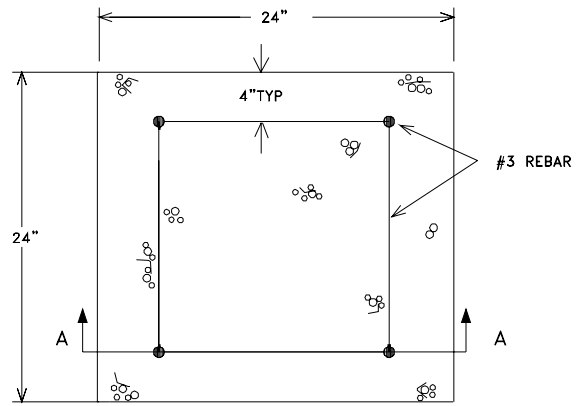
GMI31G

DRAWN	DESIGN	SUPR	DATE	REV
GD	KS	DS	5/98	7/06

MATERIAL LIST

STOCK #	QTY.	DESCRIPTION
45-1600	1.0	NIPPLE PIPE 2" X 12" BLACK
45-1530	1.0	NIPPLE PIPE 2" X 3" BLACK
45-1880	1.0	REDUCER WELDING 4" X 2"
45-0930	3.0	ELBOW WELDING 90 DEGREE 4" STD RADIUS
51-0090	2.5	PIPE 4" STANDARD STEEL (4.5" O.D.)
45-1010	4.0	FLANGE SLIP-ON WELDING 4"
47-0360	16.0	BOLT MACHINE BLK HEAX HEAD W/HEX NUT 5/8" X 3" (G&W)
47-0080	1.0	INSULATION FLANGE KIT 4"
45-1680	2.0	NIPPLE PIPE 4" X 10" BLACK
47-0050	1.0	GASKET FULL FACE 4" X 9"
43-0130	1.0	VALVE 4" WELD ENDS
45-2237	1.0	TEE REDUCING 4" X 4" X 2" WELDING
45-1530	1.0	NIPPLE PIPE 2" X 3" BLACK
43-0800	1.0	2" NON-INSULATED METER COCK
45-1740	1.0	PLUG PIPE 2" BLACK

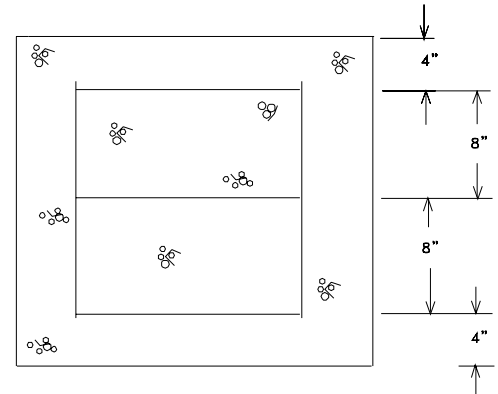
CONCRETE
BASE DETAIL



PLAN VIEW

NOTES:

- A) THIS COMPATIBLE UNIT REQUIRES A 2" RISER.
- B) DASHED LINE REPRESENTS SPACE REQUIREMENTS FOR THIS METER SET.
- C) REGULATOR AND ORIFICE TO BE SIZED AND DISTRIBUTED BY THE GAS METER SHOP.
- D) USE RECORDER FOR P-2 CUSTOMER (LOAD GREATER THAN 50 MCF ON A PEAK DAY). NOTIFY SUPERVISOR GAS METER SHOP WHEN REQUIRED.
- E) 2300 CFH METERS ARE STOCK ITEMS WHICH MUST BE SPECIAL ORDERED THROUGH THE GAS METER SHOP.
- F) CUSTOMER SHALL STUB OUT 24" FROM FINISH FACE OF BUILDING WITH 4" STEEL PIPE.
- G) DIMENSIONS ABOVE ARE MINIMUM REQUIREMENTS FOR METER ACCESSIBILITY. ADDITIONAL GAS METER LOCATION REQUIREMENTS IN SECTION 6 OF THIS VOLUME MUST ALSO BE ADHERED TO.



SECTION A-A



ENGINEERING & CONSTRUCTION STANDARD

SECTION 5 GAS CONSTRUCTION DRAWINGS
GAS METER INSTALLATIONS
METER SET
2300 CFH

SHEET 37 OF 55

DRAWING NUMBER

GMI31G

DRAWN	DESIGN	SUPR	DATE	REV
GD	KS	DS	5/98	7/06