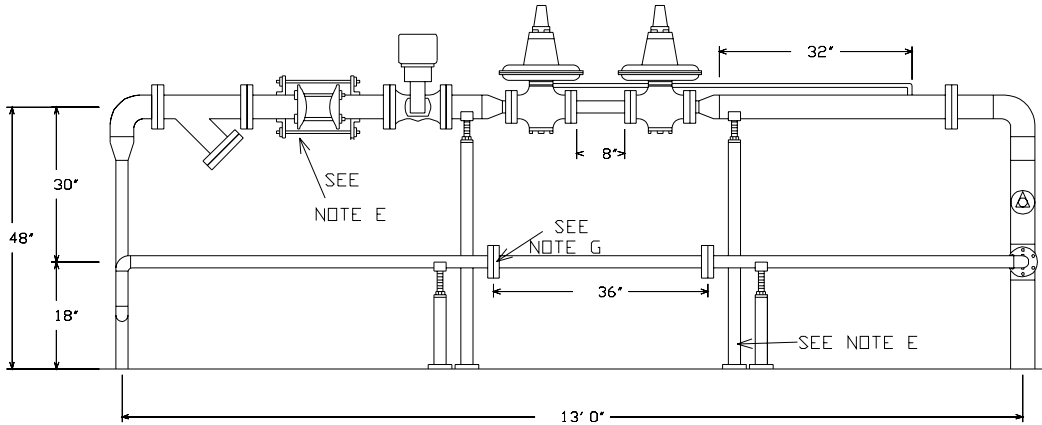
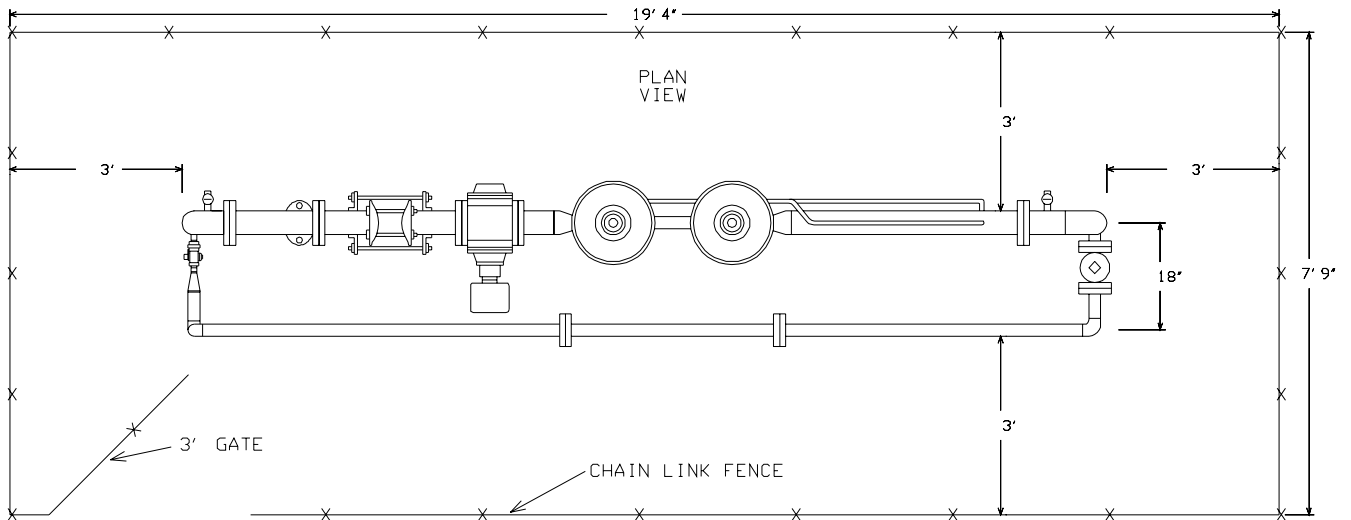


SIDE
ELEVATION



PLAN
VIEW



ENGINEERING & CONSTRUCTION STANDARD
SECTION 5 GAS CONSTRUCTION DRAWINGS
GAS METER INSTALLATIONS
METER SET
11 M OR 16 M - #'S DELIVERED

SHEET 46 OF 55

DRAWING NUMBER
GMI41G

DRAWN	DESIGN	SUPR	DATE	REV
GD	KS	DS	5/98	7/06

MATERIAL LIST

STOCK #	QTY.	DESCRIPTION
47-0040	9.0	GASKET FULL FACE 2" X 6"
45-0990	8.0	FLANGE SLIP-ON WELDING 2"
51-0086	20.0	PIPE 2" STANDARD STEEL (2.375" O.D.)
45-1880	3.0	REDUCER WELDING 4" X 2"
45-0930	2.0	ELBOW WELDING 90 DEGREE 4" STD RADIUS
45-1010	6.0	FLANGE SLIP-ON WELDING 4"
47-0050	4.0	GASKET FULL FACE 4" X 9"
47-0360	40.0	BOLT MACHINE BLK HEX HEAD W/HEX NUT 5/8" X 3" (G&W)
51-0090	8.0	PIPE 4" STANDARD STEEL (4.5" O.D.)
45-0570	1.0	COUPLING COMPRESSION 4-1/2" OD COATED
47-0350	32.0	BOLT MACHINE BLK HEX HEAD W/HEX NUT 5/8" X 2-3/4" (G&W)
43-0130	1.0	VALVE 4" WELD ENDS
45-2237	1.0	TEE REDUCING 4" X 4" X 2" WELDING
45-0910	3.0	ELBOW WELDING 90 DEGREE 2"
43-0125	1.0	VALVE 2" FLANGED ENDS
45-1140	2.0	NIPPLE PIPE 3/4" X 3" BLACK
43-0040	2.0	COCK 3/4" GAS METER
45-1710	2.0	PLUG PIPE 3/4" BLACK
47-0080	1.0	INSULATION FLANGE KIT 4"
45-1220	1.0	NIPPLE PIPE 1" X 2" BLACK
45-1820	1.0	REDUCER 2" X 1" BLACK
45-1590	1.0	NIPPLE PIPE 2" X 6" BLACK
45-1062	2.0	FLANGE WELD NECK 2"

NOTES:

- A) THIS COMPATIBLE UNIT REQUIRES A 2" RISER.
- B) METERS, STRAINERS AND REGULATORS ARE ITEMS WHICH MUST BE SPECIAL ORDERED THROUGH THE GAS METER SHOP.
- C) CUSTOMER SHALL INSTALL A 6' CHAIN LINK FENCE WITH A 3' GATE AS SHOWN AT HIS OWN EXPENSE. MINIMUM CLEARANCE FROM THE FENCE TO ANY METER SET PIPING SHALL BE 3'.
- D) IF THE METER SET IS TO BE CONSTRUCTED IN A SOIL AREA, THE CUSTOMER SHALL PROVIDE CONCRETE PADS FOR ALL VERTICAL SUPPORTS. EACH PAD SHOULD BE 15" X 15" WITH A DEPTH OF 4".
- E) THE VERTICAL SUPPORTS AND "L" BRACKETS WITH BOLTS WILL BE FABRICATED BY SPPCO. MACHINE SHOP.
- F) CONCRETE, ASPHALT, BRICK OR SURFACING MATERIAL SHALL NOT BE INSTALLED WITHIN A 12" RADIUS OF THE RISER.
- G) INSTALL PLATE FABRICATED BY SPPCO. MACHINE SHOP.



ENGINEERING & CONSTRUCTION STANDARD

SECTION 5 GAS CONSTRUCTION DRAWINGS

GAS METER INSTALLATIONS
METER SET

11 M OR 16 M - #S DELIVERED

SHEET 47 OF 55

DRAWING NUMBER

GMI41G

DRAWN	DESIGN	SUPR	DATE	REV
GD	KS	DS	5/98	7/06