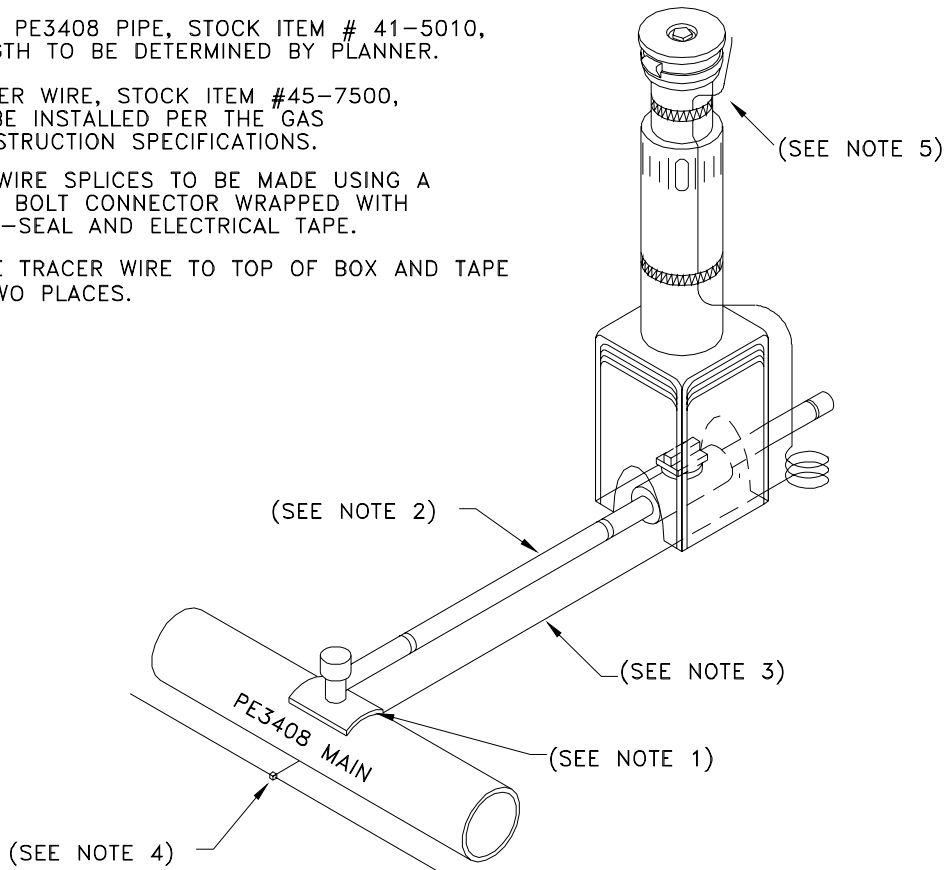


NOTES:

- 1) FOR CORRECT TAPPING TEE, ORDER STOCK ITEM:  
 #45-2164 FOR A 2" PE MAIN  
 #45-2168 FOR A 4" PE MAIN  
 #45-2172 FOR A 6" PE MAIN
- 2) 3/4" PE3408 PIPE, STOCK ITEM # 41-5010,  
 LENGTH TO BE DETERMINED BY PLANNER.
- 3) TRACER WIRE, STOCK ITEM #45-7500,  
 TO BE INSTALLED PER THE GAS  
 CONSTRUCTION SPECIFICATIONS.
- 4) ALL WIRE SPLICES TO BE MADE USING A  
 SPLIT BOLT CONNECTOR WRAPPED WITH  
 AQUA-SEAL AND ELECTRICAL TAPE.
- 5) RAISE TRACER WIRE TO TOP OF BOX AND TAPE  
 IN TWO PLACES.



MATERIAL LIST

STOCK #	QTY.	DESCRIPTION
43-2000	1.0	VALVE 3/4" PE3408
43-0015	1.0	BOX CURB GAS FOR 3/4" AND 1" VALVES
45-0152	1.0	CAP 3/4" PE3408 BUTT FUSION
19-1670	1.0	CONN SPLIT/BOLT COPPER MAX #10 STR



ENGINEERING & CONSTRUCTION STANDARD  
 SECTION 5 GAS CONSTRUCTION DRAWINGS  
 SERVICE TAP INSTALLATIONS

SHEET 4 OF 33

DRAWING NUMBER

DRAWN	DESIGN	SUPR	DATE	REV
KS	KS	HB	5/98	7/06

3/4" PE SERVICE STUB  
 OFF PE MAIN

**STI01G**