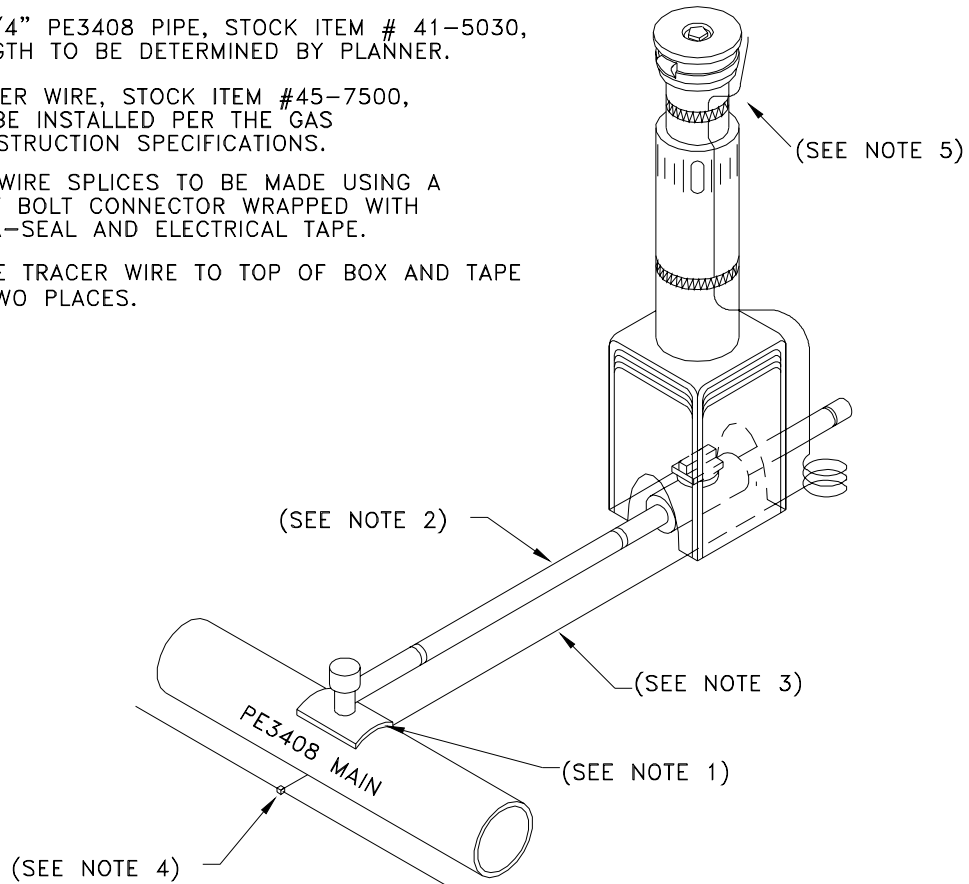


NOTES:

- 1) FOR CORRECT TAPPING TEE, ORDER STOCK ITEM:  
 #45-2166 FOR A 2" PE MAIN  
 #45-2170 FOR A 4" PE MAIN  
 #45-2174 FOR A 6" PE MAIN
- 2) 1 1/4" PE3408 PIPE, STOCK ITEM # 41-5030,  
 LENGTH TO BE DETERMINED BY PLANNER.
- 3) TRACER WIRE, STOCK ITEM #45-7500,  
 TO BE INSTALLED PER THE GAS  
 CONSTRUCTION SPECIFICATIONS.
- 4) ALL WIRE SPLICES TO BE MADE USING A  
 SPLIT BOLT CONNECTOR WRAPPED WITH  
 AQUA-SEAL AND ELECTRICAL TAPE.
- 5) RAISE TRACER WIRE TO TOP OF BOX AND TAPE  
 IN TWO PLACES.



MATERIAL LIST

STOCK #	QTY.	DESCRIPTION
43-2020	1.0	VALVE 1 1/4" PE3408
43-0018	1.0	BOX 1-1/4" AND 2" PE VALVES TRAFFIC RATED H-20
45-0154	1.0	CAP 1 1/4" PE3408 BUTT FUSION
19-1670	1.0	CONN SPLIT/BOLT COPPER MAX #10 STR



**ENGINEERING & CONSTRUCTION STANDARD**  
**SECTION 5 GAS CONSTRUCTION DRAWINGS**  
**SERVICE TAP INSTALLATIONS**  
**1 1/4" PE SERVICE STUB**  
**OFF PE MAIN**

SHEET 6 OF 33

DRAWING NUMBER  
**STI03G**

DRAWN	DESIGN	SUPR	DATE	REV
KS	KS	HB	5/98	7/06