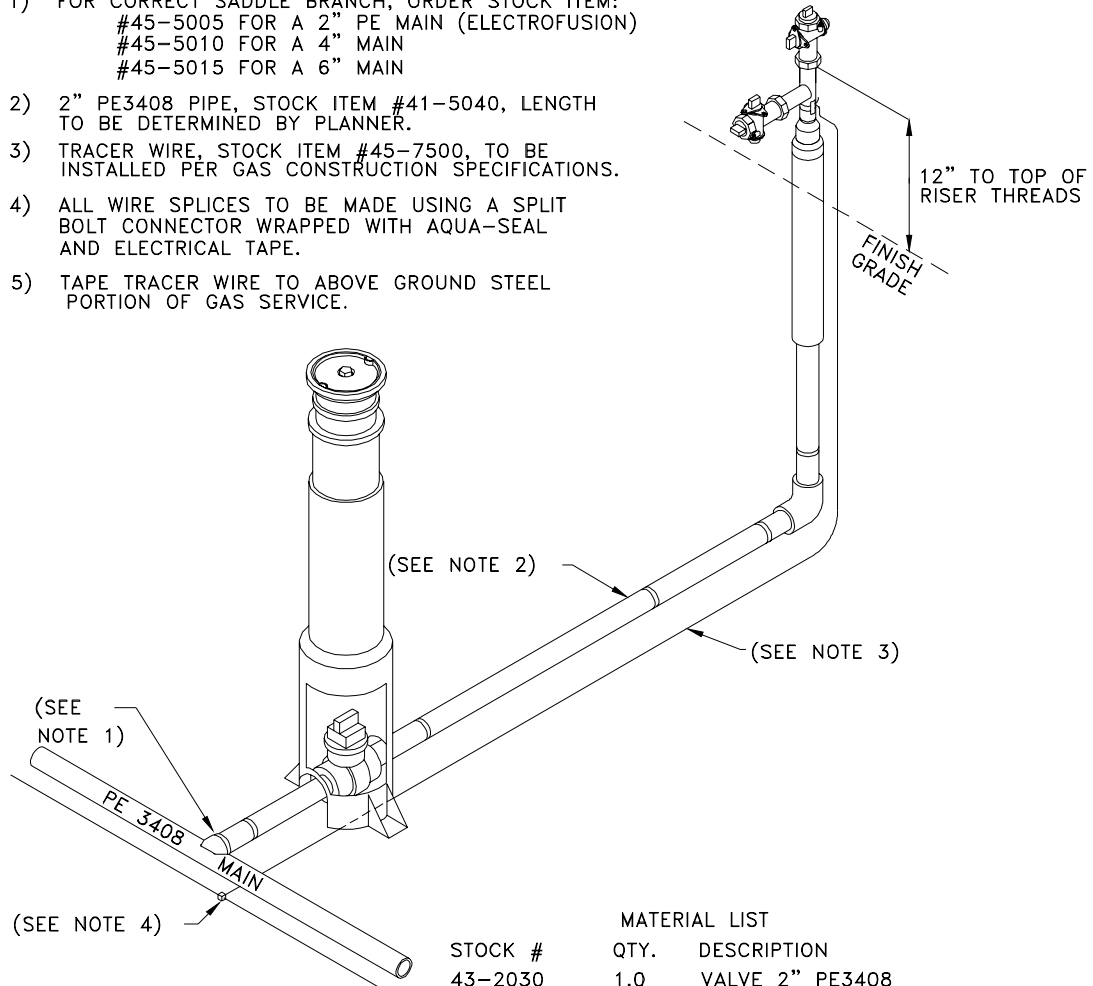


NOTES:

- 1) FOR CORRECT SADDLE BRANCH, ORDER STOCK ITEM:
 #45-5005 FOR A 2" PE MAIN (ELECTROFUSION)
 #45-5010 FOR A 4" MAIN
 #45-5015 FOR A 6" MAIN
- 2) 2" PE3408 PIPE, STOCK ITEM #41-5040, LENGTH TO BE DETERMINED BY PLANNER.
- 3) TRACER WIRE, STOCK ITEM #45-7500, TO BE INSTALLED PER GAS CONSTRUCTION SPECIFICATIONS.
- 4) ALL WIRE SPLICES TO BE MADE USING A SPLIT BOLT CONNECTOR WRAPPED WITH AQUA-SEAL AND ELECTRICAL TAPE.
- 5) TAPE TRACER WIRE TO ABOVE GROUND STEEL PORTION OF GAS SERVICE.



MATERIAL LIST

STOCK #	QTY.	DESCRIPTION
43-2030	1.0	VALVE 2" PE3408
43-0018	1.0	BOX 1-1/4" AND 2" PE VALVES TRAFFIC RATED H-20
45-1910	1.0	RISER GAS 2"
43-0080	1.0	COCK GAS METER 2"
43-0050	1.0	COCK GAS METER 1"
45-1740	1.0	PLUG PIPE 2" BLACK
45-1720	1.0	PLUG PIPE 1" BLACK
19-1670	1.0	CONN SPLIT/BOLT COPPER MAX #10 STR

DRAWN	DESIGN	SUPR	DATE	REV
KS	KS	HB	5/98	7/06