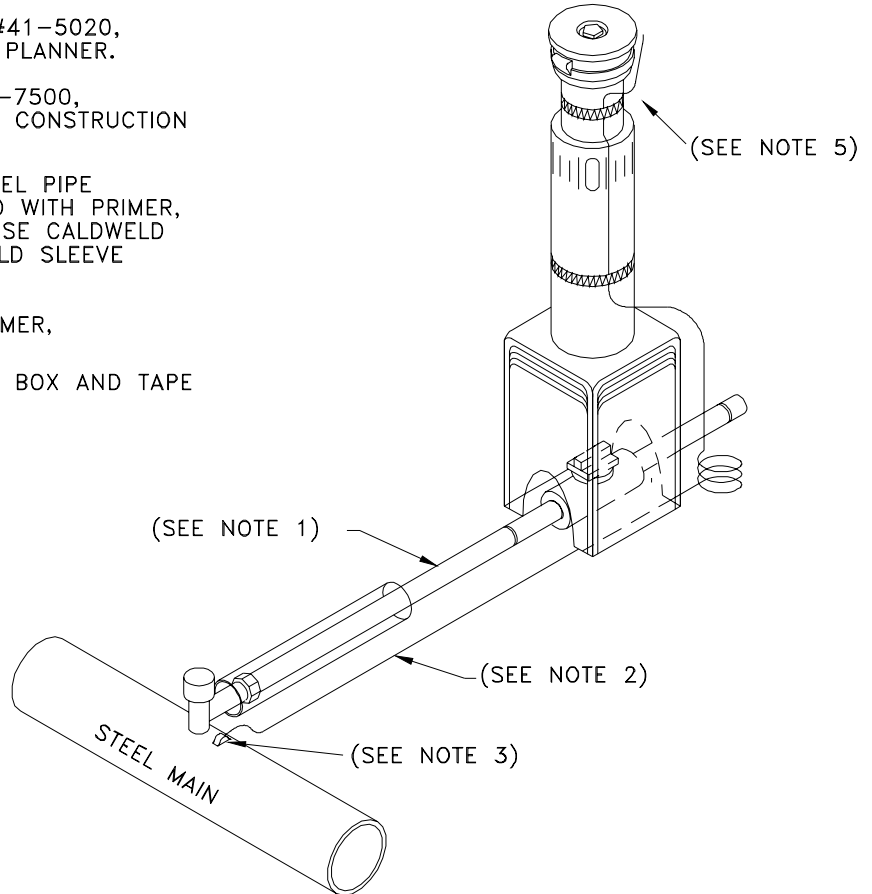


NOTES:

- 1) 1" PE3408 PIPE, STOCK ITEM #41-5020, LENGTH TO BE DETERMINED BY PLANNER.
- 2) TRACER WIRE, STOCK ITEM #45-7500, TO BE INSTALLED PER THE GAS CONSTRUCTION SPECIFICATIONS.
- 3) ALL WIRE CONNECTIONS TO STEEL PIPE TO BE CADWELDED AND COATED WITH PRIMER, PROTECTO-WRAP AND TAPE. USE CALDWELD STOCK #47-0038 AND CALDWELD SLEEVE STOCK #47-0037.
- 4) COAT ALL STEEL PIPE WITH PRIMER, PROTECTO-WRAP AND TAPE.
- 5) RAISE TRACER WIRE TO TOP OF BOX AND TAPE IN TWO PLACES.



MATERIAL LIST

| STOCK # | QTY. | DESCRIPTION |
|---------|------|--|
| 45-2290 | 1.0 | TEE SERVICE 1" COMP. OUTLET X 1" WELD BASE |
| 47-0259 | 1.0 | SLEEVE 3" X 2' PVC SCH 80 |
| 43-2010 | 1.0 | VALVE 1" PE3408 |
| 43-0015 | 1.0 | BOX CURB GAS FOR 3/4" AND 1" VALVES |
| 45-0153 | 1.0 | CAP 1" PE3408 BUTT FUSION |



ENGINEERING & CONSTRUCTION STANDARD

SHEET 19 OF 33

SECTION 5 GAS CONSTRUCTION DRAWINGS
SERVICE TAP INSTALLATIONS
1" PE SERVICE STUB
OFF STEEL MAIN

DRAWING NUMBER

ST116G

| DRAWN | DESIGN | SUPR | DATE | REV |
|-------|--------|------|------|------|
| KS | KS | HB | 5/98 | 7/06 |