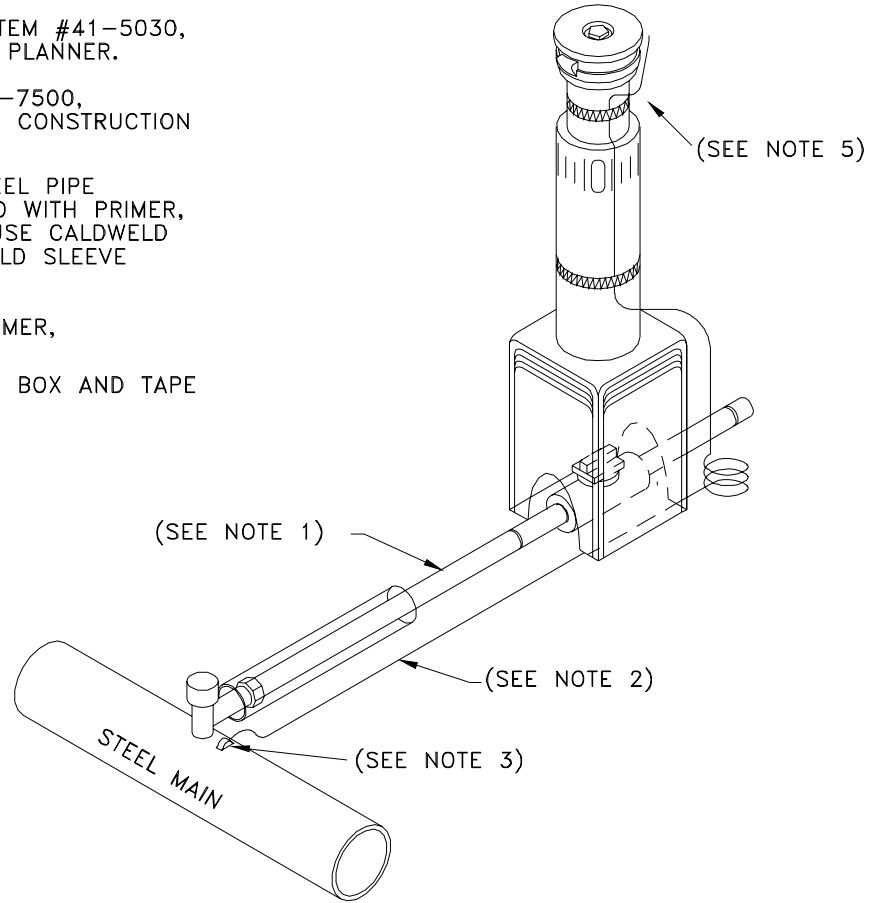


NOTES:

- 1) 1 1/4" PE3408 PIPE, STOCK ITEM #41-5030, LENGTH TO BE DETERMINED BY PLANNER.
- 2) TRACER WIRE, STOCK ITEM #45-7500, TO BE INSTALLED PER THE GAS CONSTRUCTION SPECIFICATIONS.
- 3) ALL WIRE CONNECTIONS TO STEEL PIPE TO BE CADWELDED AND COATED WITH PRIMER, PROTECTO-WRAP AND TAPE. USE CALDWELD STOCK #47-0038 AND CALDWELD SLEEVE STOCK #47-0037.
- 4) COAT ALL STEEL PIPE WITH PRIMER, PROTECTO-WRAP AND TAPE.
- 5) RAISE TRACER WIRE TO TOP OF BOX AND TAPE IN TWO PLACES.



MATERIAL LIST

STOCK #	QTY.	DESCRIPTION
45-2310	1.0	TEE SERVICE 1-1/4" COMP. OUTLET X 1-1/4" WELD BASE
47-0259	1.0	SLEEVE 3" X 2' PVC SCH 80
43-2020	1.0	VALVE 1-1/4" PE3408
43-0018	1.0	BOX 1-1/4" & 2" PE VALVES TRAFFIC RATED H-20
45-0154	1.0	CAP 1-1/4" PE3408 BUTT FUSION



ENGINEERING & CONSTRUCTION STANDARD

SECTION 5 GAS CONSTRUCTION DRAWINGS
SERVICE TAP INSTALLATIONS

1 1/4" PE SERVICE STUB
OFF STEEL MAIN

SHEET 20 OF 33

DRAWING NUMBER

ST117G

DRAWN	DESIGN	SUPR	DATE	REV
KS	KS	HB	5/98	7/06