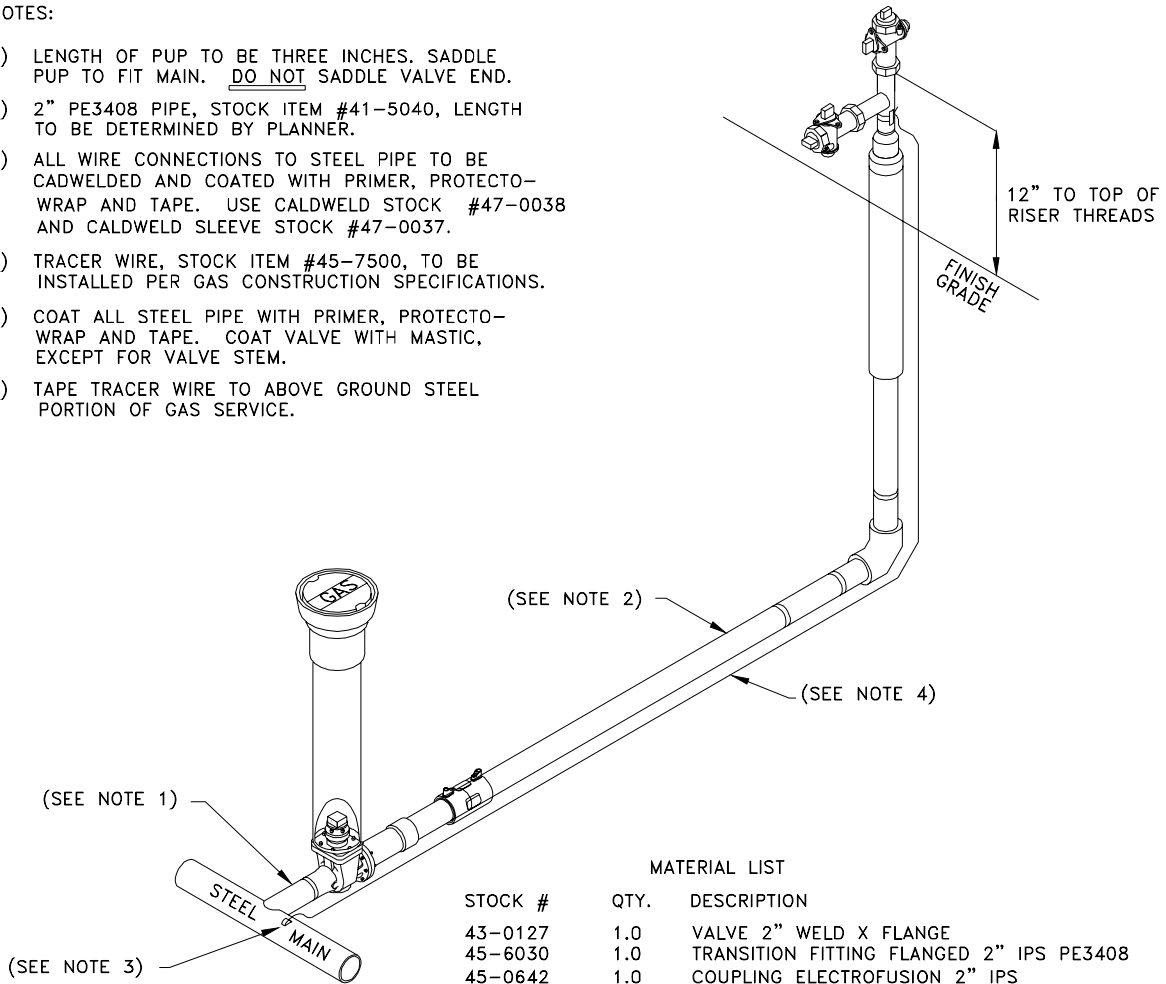


NOTES:

- 1) LENGTH OF PUP TO BE THREE INCHES. SADDLE PUP TO FIT MAIN. DO NOT SADDLE VALVE END.
- 2) 2" PE3408 PIPE, STOCK ITEM #41-5040, LENGTH TO BE DETERMINED BY PLANNER.
- 3) ALL WIRE CONNECTIONS TO STEEL PIPE TO BE CADWELDED AND COATED WITH PRIMER, PROTECTO-WRAP AND TAPE. USE CALDWELD STOCK #47-0038 AND CALDWELD SLEEVE STOCK #47-0037.
- 4) TRACER WIRE, STOCK ITEM #45-7500, TO BE INSTALLED PER GAS CONSTRUCTION SPECIFICATIONS.
- 5) COAT ALL STEEL PIPE WITH PRIMER, PROTECTO-WRAP AND TAPE. COAT VALVE WITH MASTIC, EXCEPT FOR VALVE STEM.
- 6) TAPE TRACER WIRE TO ABOVE GROUND STEEL PORTION OF GAS SERVICE.



MATERIAL LIST

STOCK #	QTY.	DESCRIPTION
43-0127	1.0	VALVE 2" WELD X FLANGE
45-6030	1.0	TRANSITION FITTING FLANGED 2" IPS PE3408
45-0642	1.0	COUPLING ELECTROFUSION 2" IPS
41-0200	1.0	PIPE 2" STEEL POLYOLEFIN COATED API5L A25
47-0040	1.0	GASKET FULL FACE 2 IN.
47-0340	4.0	BOLT MACHINE 5/8" X 2-1/2" HEX HEAD W/HEX NUT
43-0010	1.0	BOX 6" VALVE CAST IRON
43-0095	1.0	COVER BOX VALVE GAS 6"
41-3000	3.0	PIPE PVC 6" SEWER 6.275 O.D. SDR 35 FOR VALVES
45-1910	1.0	RISER GAS 2"
43-0080	1.0	COCK GAS METER 2"
43-0050	1.0	COCK GAS METER 1"
45-1740	1.0	PLUG PIPE 2" BLACK
45-1720	1.0	PLUG PIPE 1" BLACK
47-0260	1.0	TAPE PROTECTO-WRAP 6 IN. X 50 FT.
47-0300	1.0	TAPE BLACK 2 IN. X 100 FT.
47-0182	0.5	MASTIC
47-0180	0.5	PRIMER



ENGINEERING & CONSTRUCTION STANDARD

SECTION 5 GAS CONSTRUCTION DRAWINGS
 SERVICE TAP INSTALLATIONS
 2" PE COMPLETE SERVICE
 OFF STEEL MAIN

SHEET 27 OF 33

DRAWING NUMBER
STI24G

DRAWN	DESIGN	SUPR	DATE	REV
KS	KS	HB	5/98	7/06