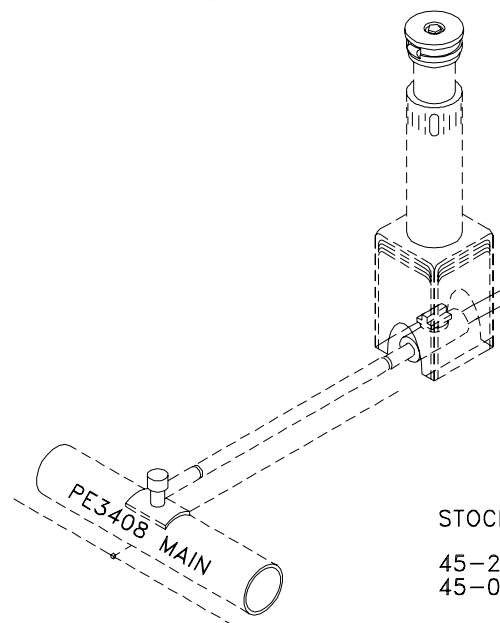
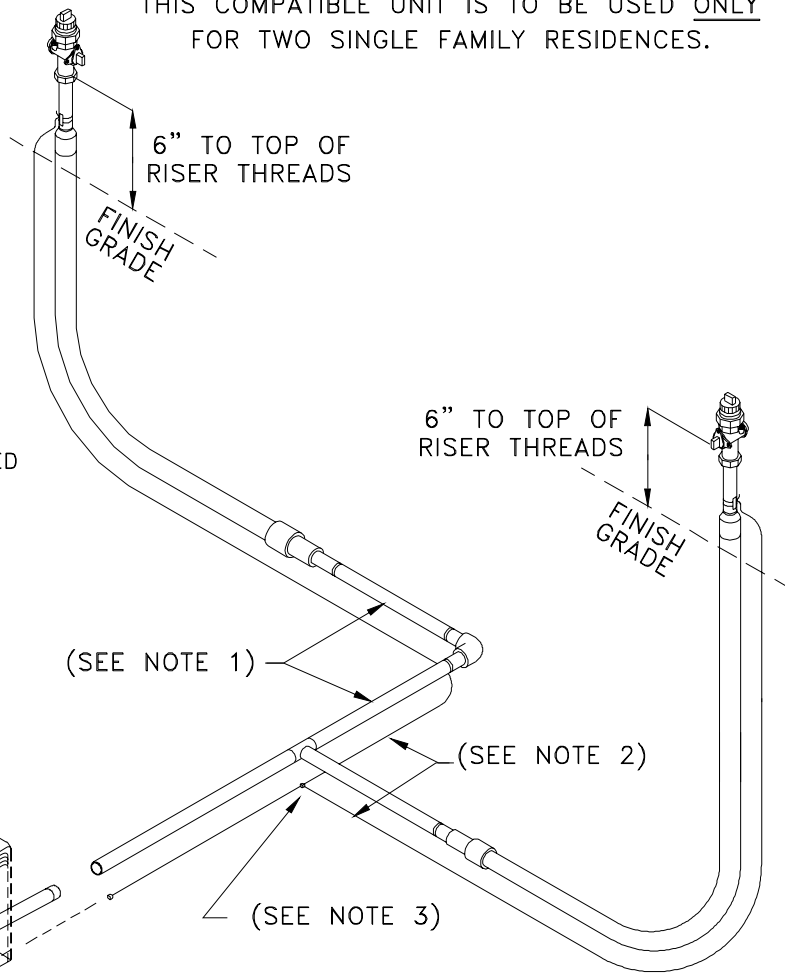


THIS COMPATIBLE UNIT IS TO BE USED ONLY  
FOR TWO SINGLE FAMILY RESIDENCES.

NOTES:

- 1) 3/4" PE3408 PIPE, STOCK ITEM #41-5010, TO BE DETERMINED BY PLANNER.
- 2) TRACER WIRE, STOCK ITEM #45-7500, TO BE INSTALLED PER THE GAS CONSTRUCTION SPECIFICATIONS.
- 3) ALL SPLICES TO BE MADE USING A SPLIT BOLT CONNECTOR WRAPPED WITH AQUA-SEAL AND ELECTRICAL TAPE.
- 4) TAPE TRACER WIRE TO ABOVE GROUND STEEL PORTION OF OF GAS RISER.



(SEE NOTE 1)

(SEE NOTE 2)

(SEE NOTE 3)

MATERIAL LIST

STOCK #	QTY.	DESCRIPTION
45-2106	1.0	TEE 3/4" IPS BUTT FUSION PE3408
45-0726	1.0	ELBOW PE3408 90 DEGREE 3/4" IPS BUTT FUSION
45-1899	2.0	RISER GAS 3/4"
43-0110	2.0	COCK GAS METER 3/4" (INSULATED)
45-1710	2.0	PLUG PIPE 3/4" BLACK
19-1670	2.0	CONN SPLIT/BOLT COPPER MAX #10 STR



ENGINEERING & CONSTRUCTION STANDARD

SECTION 5 GAS CONSTRUCTION DRAWINGS  
SERVICE TAP INSTALLATIONS

SERVICE COMPLETIONS  
3/4" PE BRANCH SERVICE COMPLETION

SHEET 32 OF 33

DRAWING NUMBER

**STI29G**

DRAWN	DESIGN	SUPR	DATE	REV
KS	KS	HB	5/98	7/06