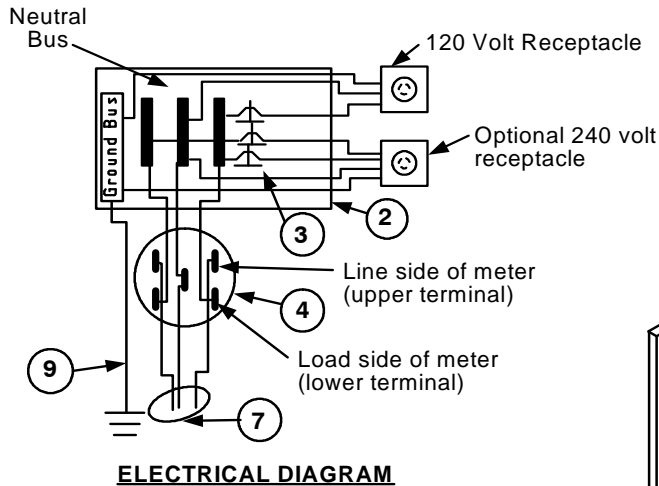


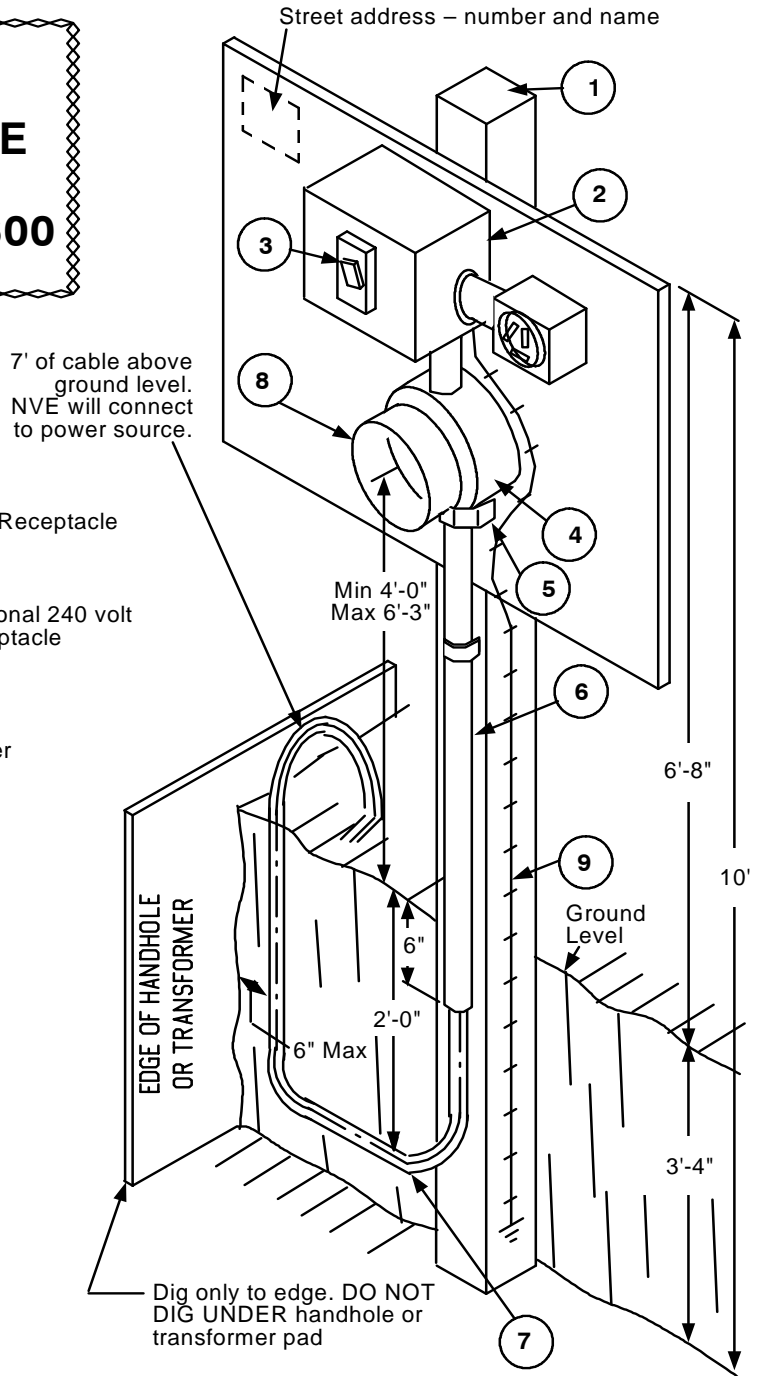
Metering Equipment: Installation Requirements

**CAUTION
CALL BEFORE
YOU DIG
1-800-227-2600**



MATERIAL LIST

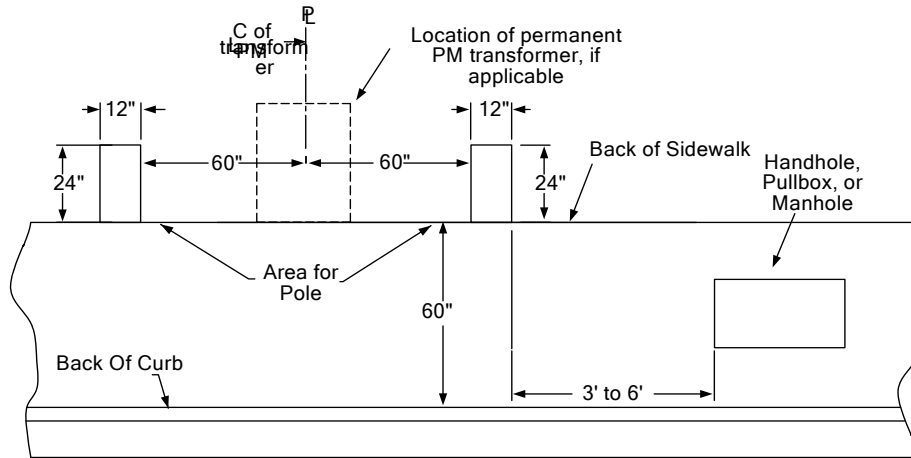
- ① Post, 4" x 4" or 4" diameter
- ② Raintight load center
- ③ GFCI breaker per NEC or GFCI receptacle 14, EUSERC approved
- ④ Raintight meter socket, 4 terminal
- ⑤ Threadless Union
- ⑥ Rigid conduit
- ⑦ Service wire, triples (insulated UG conductors only)
- ⑧ Meter by NVE
- ⑨ Groundings per NEC and/or local ordinances



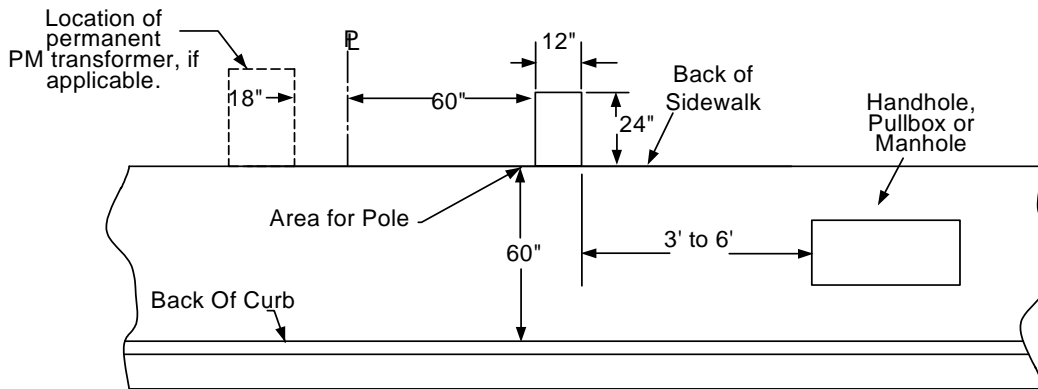
The customer is responsible for and must schedule a **"Hot Stand-By"** when digging under the handhole or transformer pad as necessary to complete the temporary service connection.

| | | | | |
|--------------------------------------|------|-------|-------|--------------|
| Electric Service Requirements | | | | RPI-1 |
| | | | | |
| Drawn: | Eng: | Appr: | Date: | Revision: 2 |
| DC | RD | DA | 7/13 | Page 1 of 4 |

Metering Equipment: Installation Requirements




LOCATION FOR TEMPORARY POLE
(TRANSFORMER ON PROPERTY LINE OR NO TRANSFORMER).



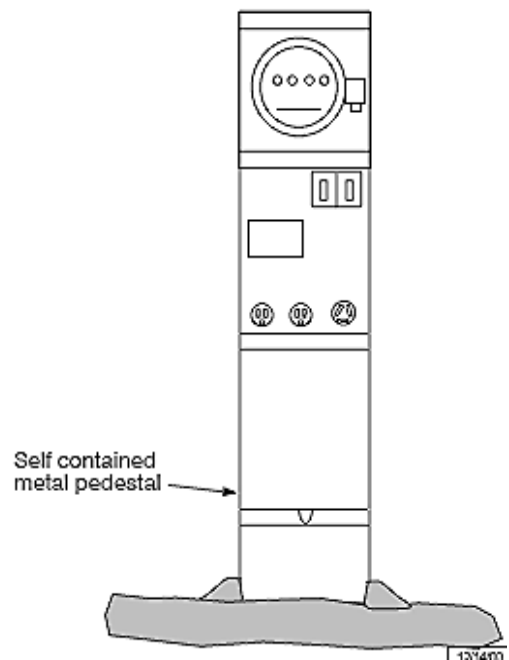
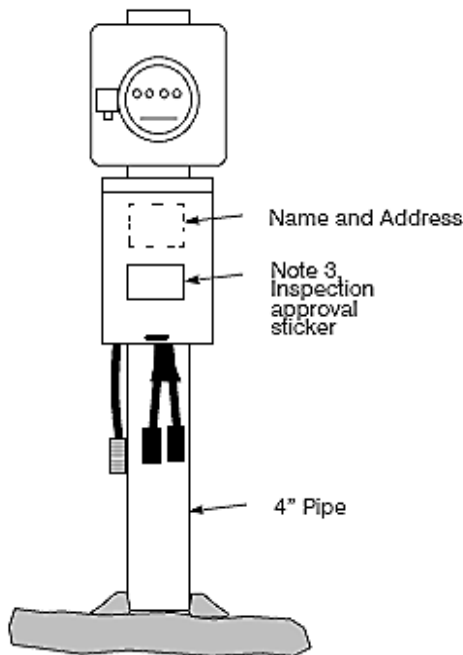
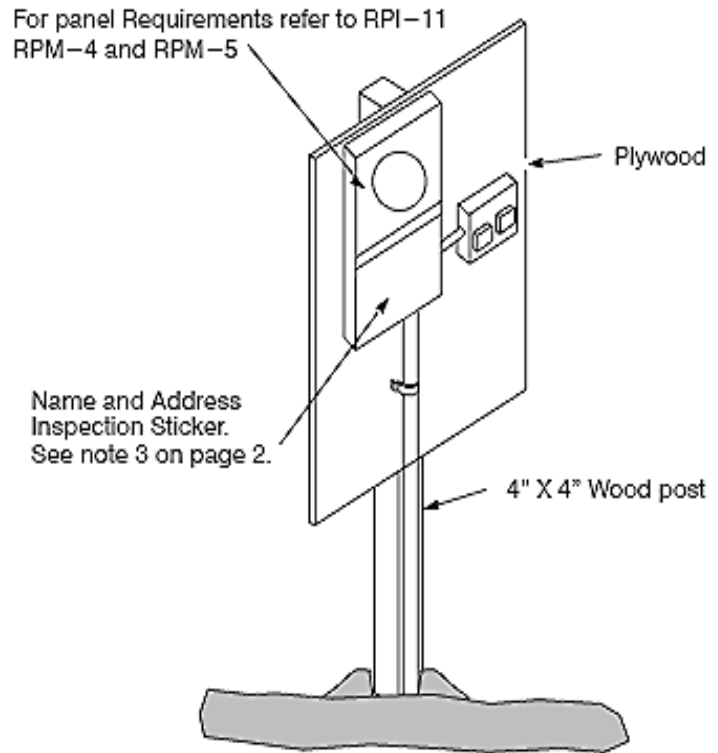
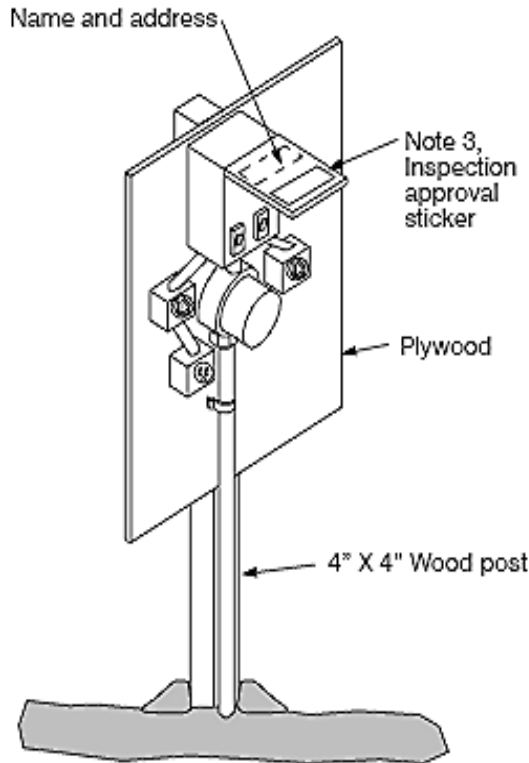
LOCATION FOR TEMPORARY POLE
(TRANSFORMER IS 18" FROM PROPERTY LINE).


NOTES:

1. All temporary service installations shall meet National Electric Code (Article 305) and other City, County or State building Codes.
2. The customer or contractor shall furnish, install and maintain at no cost to NVE, all temporary service equipment, wire, trench, backfill, permits and all clean-up.
3. Customer or contractor will call NVE for connections to the transformer or handhole after the City or County has inspected and approved the service.
4. NVE will install and remove the meter, energize and de-energize the service wire at the nearest junction point.
5. All customer owned circuits shall have "Ground Fault Circuit Interrupters".
6. Direct buried meter pedestals are acceptable.
7. If location sketches above are not applicable, the temporary pole(s) must be a 3' min. to 6' max. from any PM transformer, handhole, trench or NVE power pole.

| | | | | | | |
|---|------|-------|-------|---|--|--------------|
|  | | | | Electric Service Requirements | | RPI-1 |
| | | | | Temporary Service Installation: 120/240 Volt, Single Phase, U.G. | | |
| Drawn: | Eng: | Appr: | Date: | | | Revision: 2 |
| DC | RD | DA | 7/13 | | | Page 2 of 4 |


Metering Equipment: Installation Requirements



| | | | | | | |
|---|------|-------|-------|---|--|--------------|
|  | | | | Electric Service Requirements | | RPI-1 |
| | | | | Temporary Service Installation: 120/240 Volt, Single Phase, U.G. | | |
| Drawn: | Eng: | Appr: | Date: | | | Revision: 2 |
| DC | RD | DA | 7/13 | | | Page 3 of 4 |

Metering Equipment: Installation Requirements

THIS PAGE INTENTIONALLY LEFT BLANK

| | | | | | | |
|---|------|-------|-------|---|--|-------|
|  | | | | Electric Service Requirements | | RPI-1 |
| | | | | Temporary Service Installation: 120/240 Volt, Single Phase, U.G. | | |
| Drawn: | Eng: | Appr: | Date: | Revision: 2 | | |
| DC | RD | DA | 7/13 | Page 4 of 4 | | |