

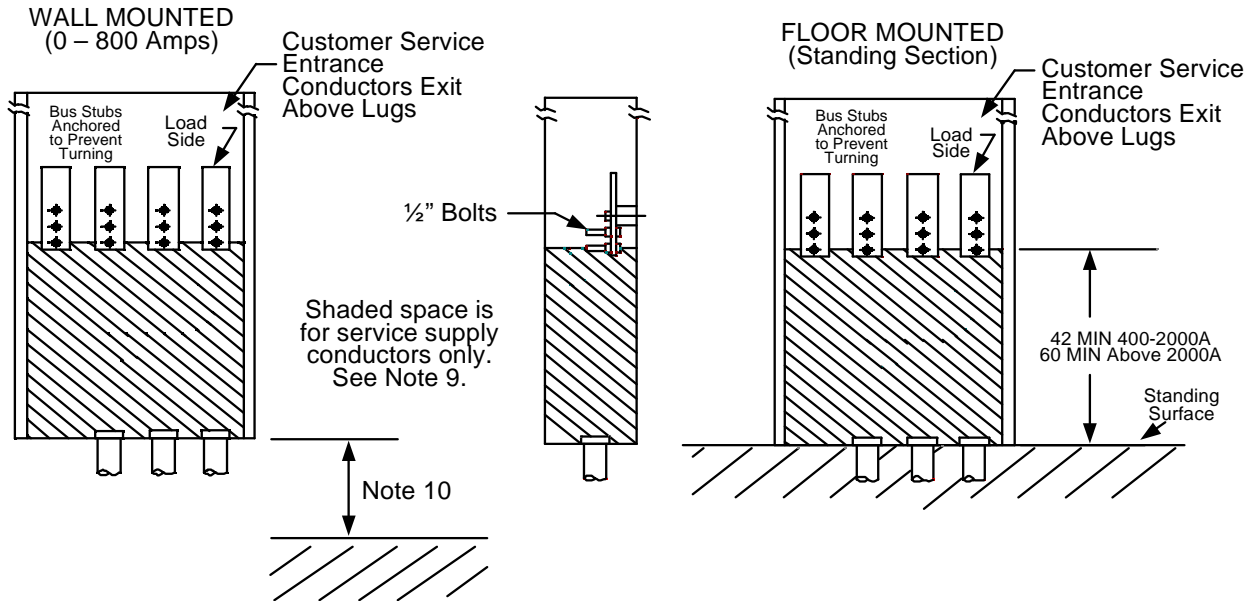
Metering Equipment: Installation Requirements

FOR MANUFACTURING REQUIREMENTS: REFER TO RPM-G, RPM-43, RPM-45, AND RPM-47

ALL DIMENSIONS SHOWN ARE IN INCHES

* Wall mounted termination applies to 0-800 Amps

* Floor mounted termination applies to all amperage ratings



NOTES:

1. The termination section cover shall be independent of any part of the service panel other than the termination section.
2. The termination section shall be free of all earth and water pipe ground leads or connections (excluding grounding lug for conduit).
3. Load conductors shall leave box in area above the lugs.
4. For RGS or IMC riser conduit, a hub or bonding jumper is required for proper grounding of the conduit. A hub is the preferred method.
5. NVE termination crew-secure the termination section with a Mitey Lock security device.
6. All terminating sections shall have full front access. Cover panels shall be removable, sealable, provided with two lifting handles, and limited to a maximum size of 9 square feet in area.
7. The wall mounted panel shall be installed per RPI-24.
8. The multi-meter section shall be installed per RPI-28 (underground).
9. Customer-owned wiring shall not pass through any section sealed by NVE (this includes system grounds).
10. For 0-800 Amp service panels, a minimum 6" clearance between the standing surface and the service panel is required.
11. All cables to be sized in accordance with NEC and local building ordinances.
12. Consult with manufacturer for number of landing positions required. Typical design criteria is a maximum of 400 Amps per conductor for service with 0-1200 Amp rating.

				Electric Service Requirements		RPI-12
				Service Panel Termination Section (Customer Owned Services Only)		
Drawn:	Eng:	Appr:	Date:			Revision: 1
DH	DH	DA	12/06			Page 1 of 2

THIS PAGE INTENTIONALLY LEFT BLANK

				Electric Service Requirements		RPI-12
				Service Panel Termination Section (Customer Owned Services Only)		
Drawn:	Eng:	Appr:	Date:			Revision: 1
DH	DH	DA	12/06			Page 2 of 2