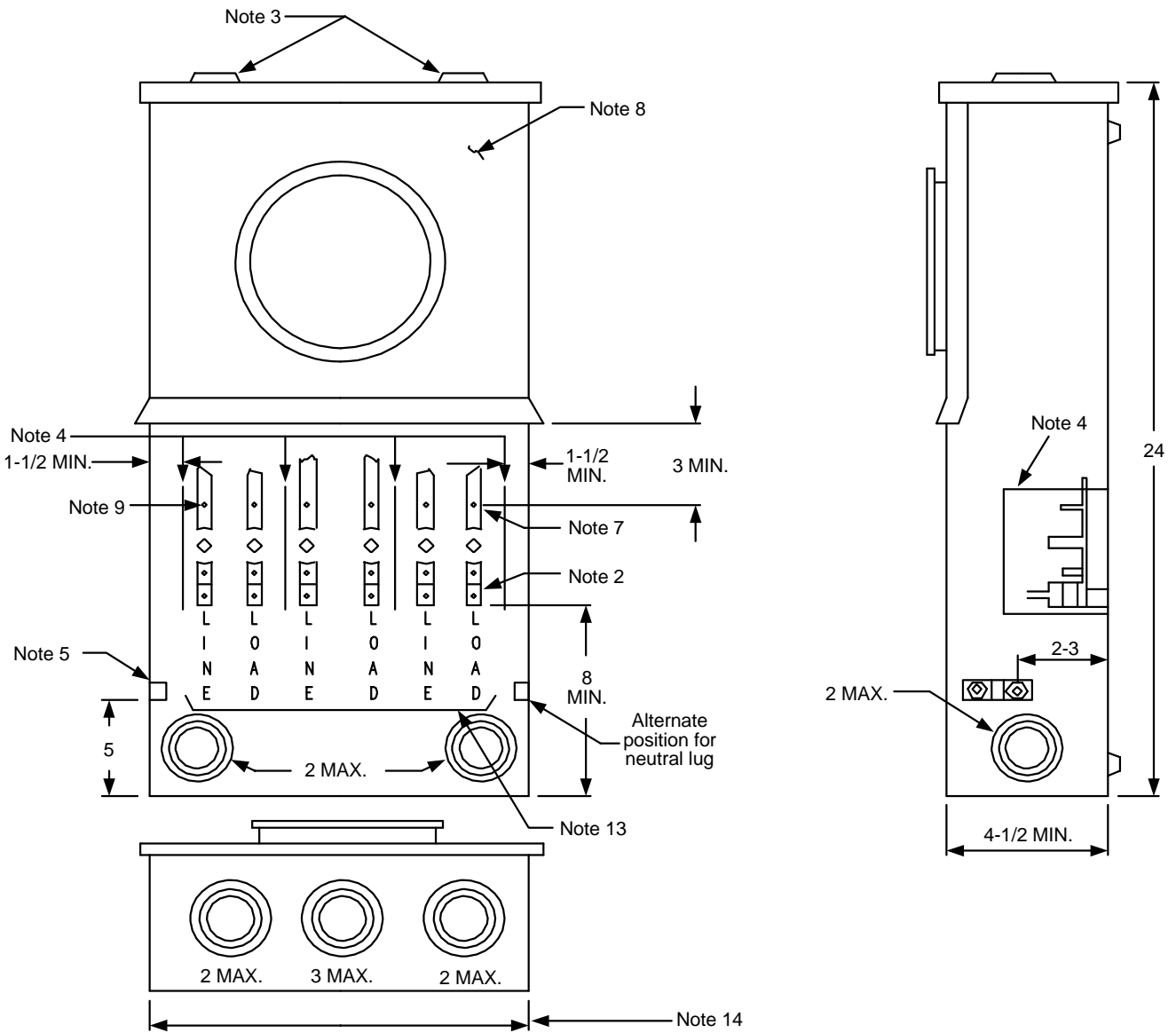



Metering Equipment: Material Requirements



All Dimensions Shown are in Inches


NOTES:

1. This device may be used for commercial types of occupancies.
2. Aluminum bodied terminals for No. 6 through No. 1/0 wire.
3. Hubs capped off if used for underground feed.
4. Rigid insulating barriers.
5. Insulated bondable vertical lay-in, double neutral lug with 1/0 wire capacity, mounted on either sidewall.
6. Test-bypass blocks shall be bussed or wired to socket jaws or terminals.
7. Upper test connector studs.

				Electric Service Requirements		RPM-4
				Commercial Meter Panel w/Bypass 100A Maximum		
Drawn:	Eng:	Appr:	Date:			Revision: 1
DH	DH	DA	11/06			Page 1 of 2

Metering Equipment: Material Requirements

8. All section panels shall be independently removable. Upper panel shall be non-removable when meter is in place. Meter socket shall be mounted on support and attached to upper panel. Lower panel shall be sealable and permanently labeled: "Do Not Break Seals. No Fuses Inside".
9. Test-bypass block detail on RPM-12.
10. For 3 ϕ , 4 wire, connect 7th jaw to body of neutral lug with No.12 min. copper wire, white in color.
11. For 3 ϕ , 4 wire delta, identify right hand test-bypass block (2 poles) as power leg. Identification to be orange in color.
12. For 1 ϕ , 3 wire, provide two test-bypass blocks mounted in the outer positions and a four jaw socket.
13. Decals on inside back of enclosure in 3/4" minimum block letter labeling (see drawing).
14. Minimum width of access opening shall be 11-1/2".

				Electric Service Requirements		RPM-4
				Commercial Meter Panel w/Bypass 100A Maximum		
Drawn:	Eng:	Appr:	Date:			Revision: 1
DH	DH	DA	11/06			Page 2 of 2