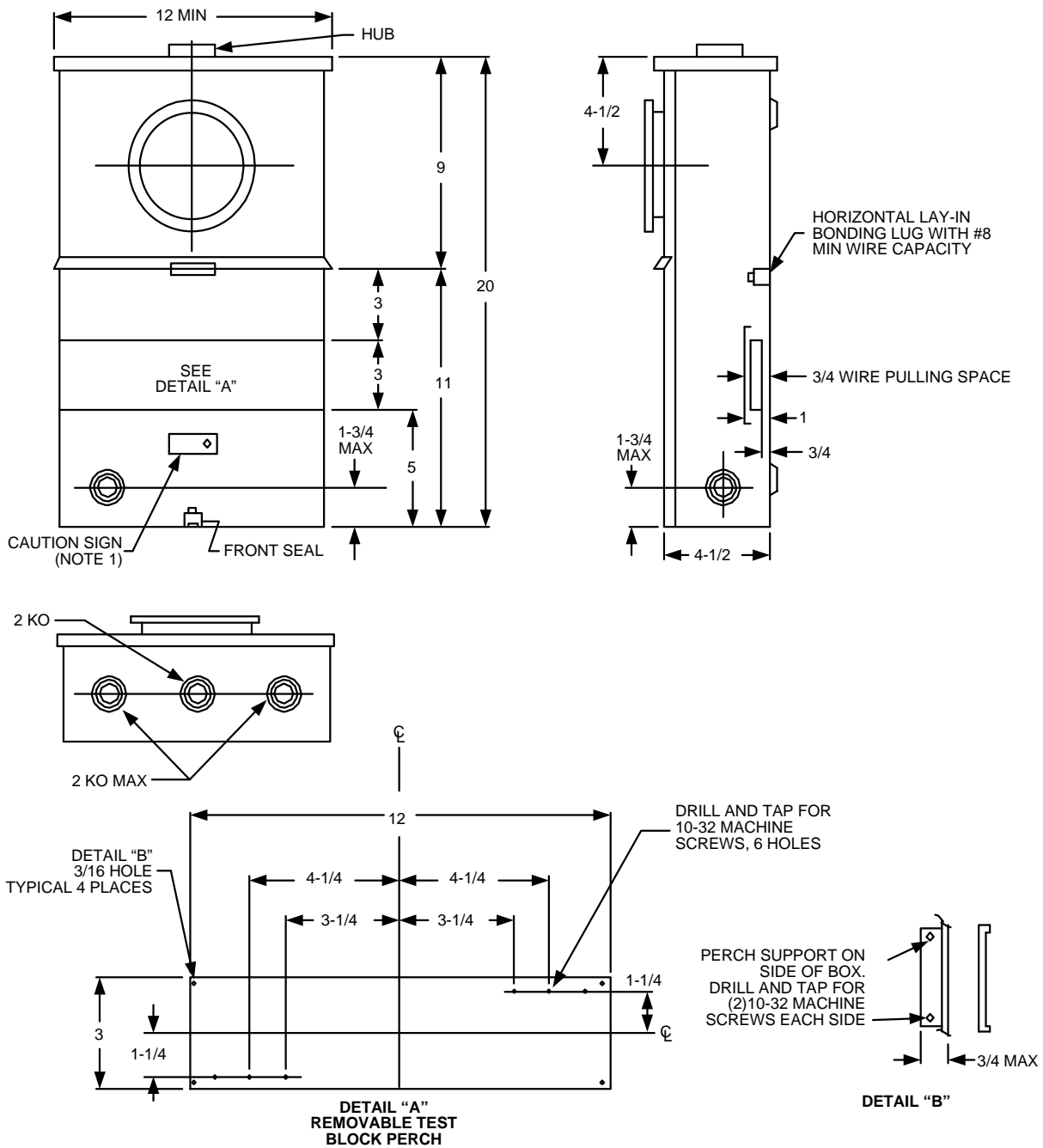



# Metering Equipment: Material Requirements



All Dimensions Shown are in Inches

## NOTES:


1. All section covers shall be independently removable. Upper cover shall be non-removable when meter is in place. Lower cover shall be sealable and permanently labeled: "Do Not Break Seals, No Fuses Inside".
2. For meter socket requirements, see RPM-G.

				Electric Service Requirements		RPM-39
				<b>Instrument Rated Meter Panel with Test Switch Provisions</b>		
Drawn:	Eng:	Appr:	Date:			Revision: 1
DH	DH	DA	2/07			Page 1 of 2

# Metering Equipment: Material Requirements

---

THIS PAGE INTENTIONALLY LEFT BLANK

				Electric Service Requirements		<b>RPM-39</b>
				<b>Instrument Rated Meter Panel with Test Switch Provisions</b>		
Drawn:	Eng:	Appr:	Date:			Revision: 1
DH	DH	DA	2/07			Page 2 of 2