

Equipment Pads

DESIGN REQUIREMENTS

TOLERANCES:

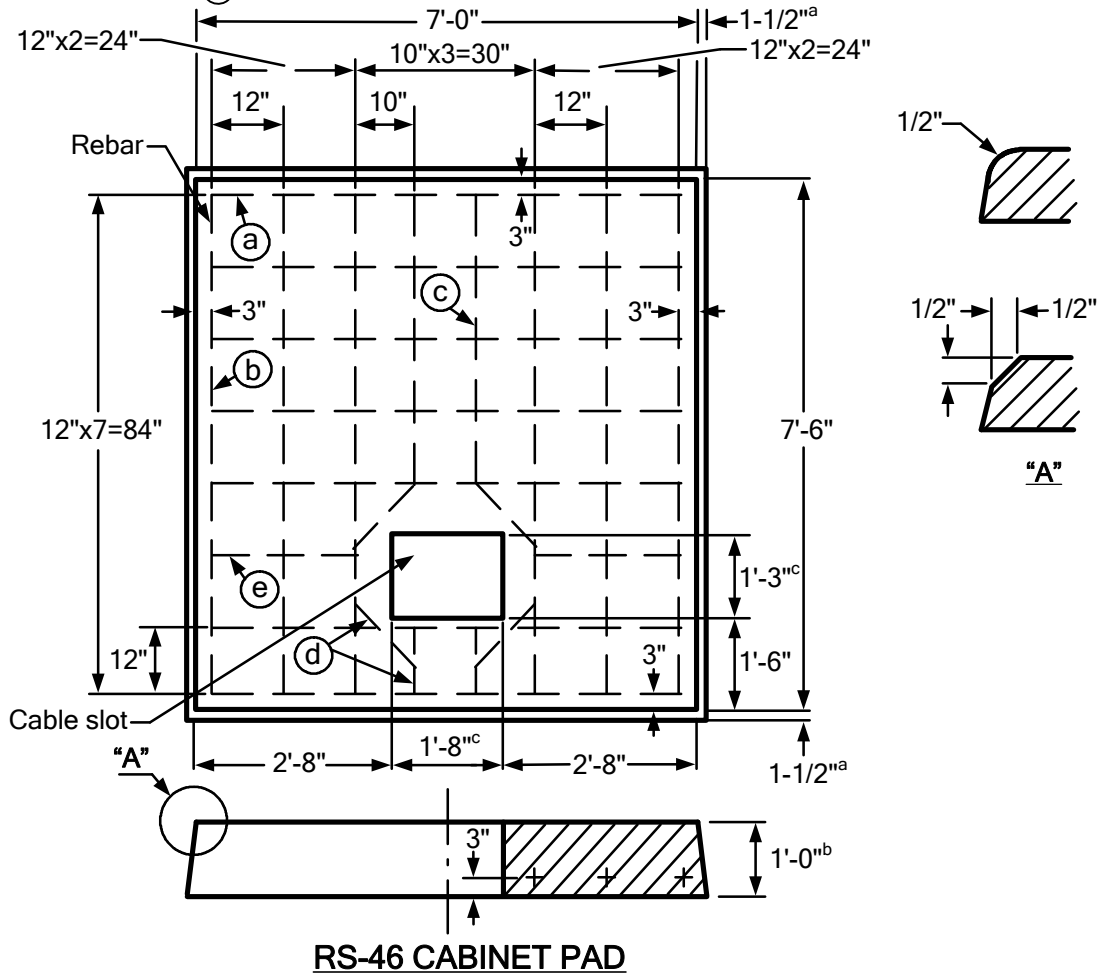
a = +0", -1-1/2"
 b = +1/4", -0"
 c = +1/2", -0"

REBAR SCHEDULE:

(a) = 7 ea. 78"
 (b) = 6 ea. 84"
 (c) = 2 ea. 48"
 (d) = 6 ea. 12"
 (e) = 2 ea. 24"

APPROVED PADS

MANUFACTURER	PAD
Jensen Precast	J-RS-46

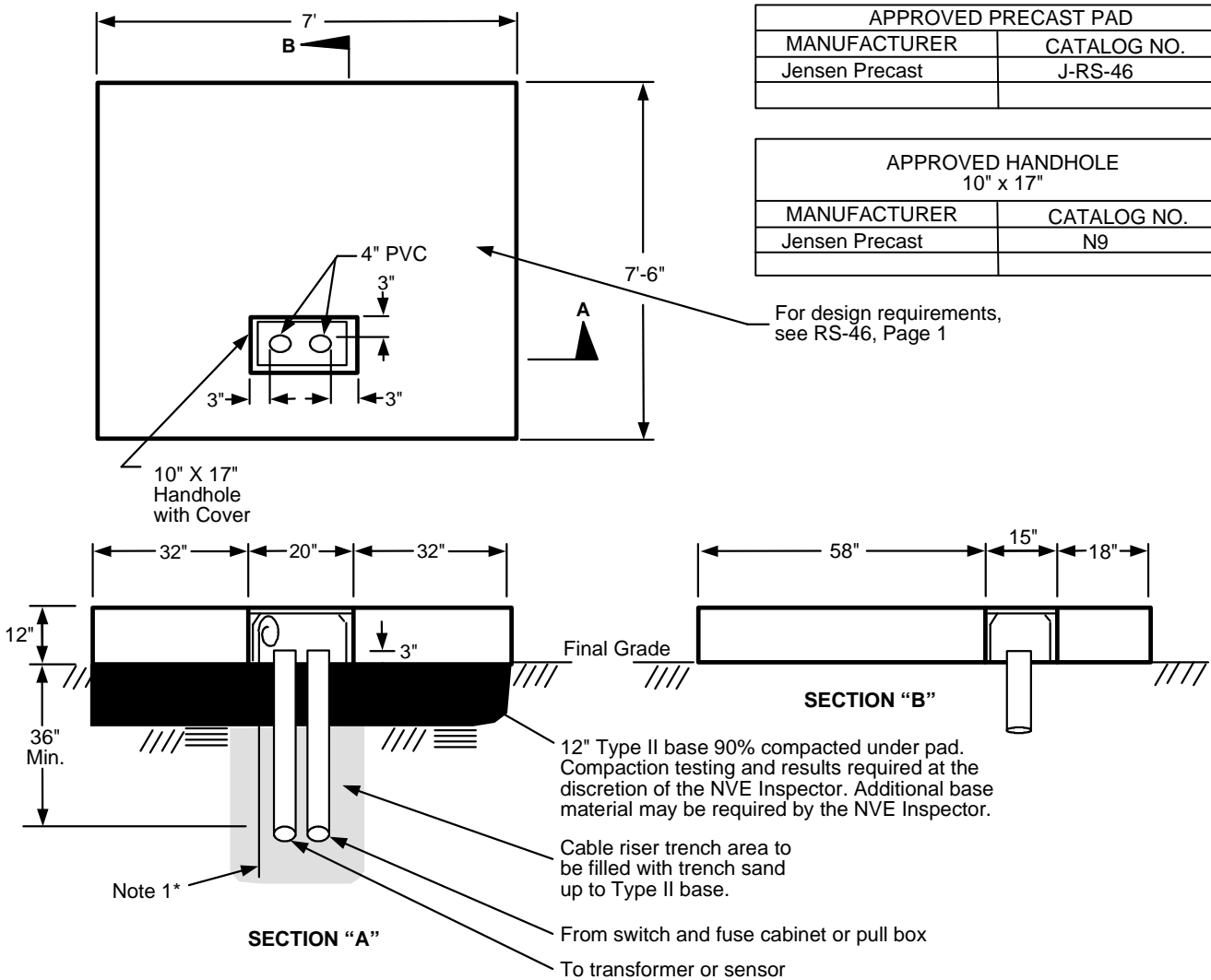


1. Rebar
 - A. Minimum #4
 - B. Placed into the above drawing according to the rebar schedule.
2. Pad
 - A. A 15" x 20" cable slot.
 - B. Shall meet RS-G2 and RS-G3.

				Electric Service Requirements		RS-46
				Cabinet Pad (15 & 25kV): Fuse/Meter and 12kV Capacitor Bank Pad		
Drawn:	Eng:	Appr:	Date:			Revision: 2A
JR	RD	DA	9/15			Page 1 of 2

Equipment Pads

INSTALLATION REQUIREMENTS



NOTES:

- Grounding by customer shall be 2-50' #2 stranded bare copper ground wires laid in the bottom of the conduit trench in opposite directions with 2-5' tails in the pad opening.
- For location and clearances to other structures, see: RS-5.
- Retaining wall required when grade from bottom of pad rises or lowers more than 1' in 5' horizontally.
- All secondary conduits shall be located within 24" of the right side of the pad opening.
- The top of the pad shall be leveled and must clear the final grade by 12".

* Only at the discretion of NVE's inspectors, a 1/2" x 8' copper ground rod can be installed in accordance with the 2012 NESC C2-2012 Section 9, Grounding Methods for Electric Supply and Communications Facilities or latest version.

				Electric Service Requirements		RS-46
				Cabinet Pad (15 & 25kV): Fuse/Meter and 12kV Capacitor Bank Pad		
Drawn:	Eng:	Appr:	Date:			Revision: 2A
JR	RD	DA	9/15			Page 2 of 2