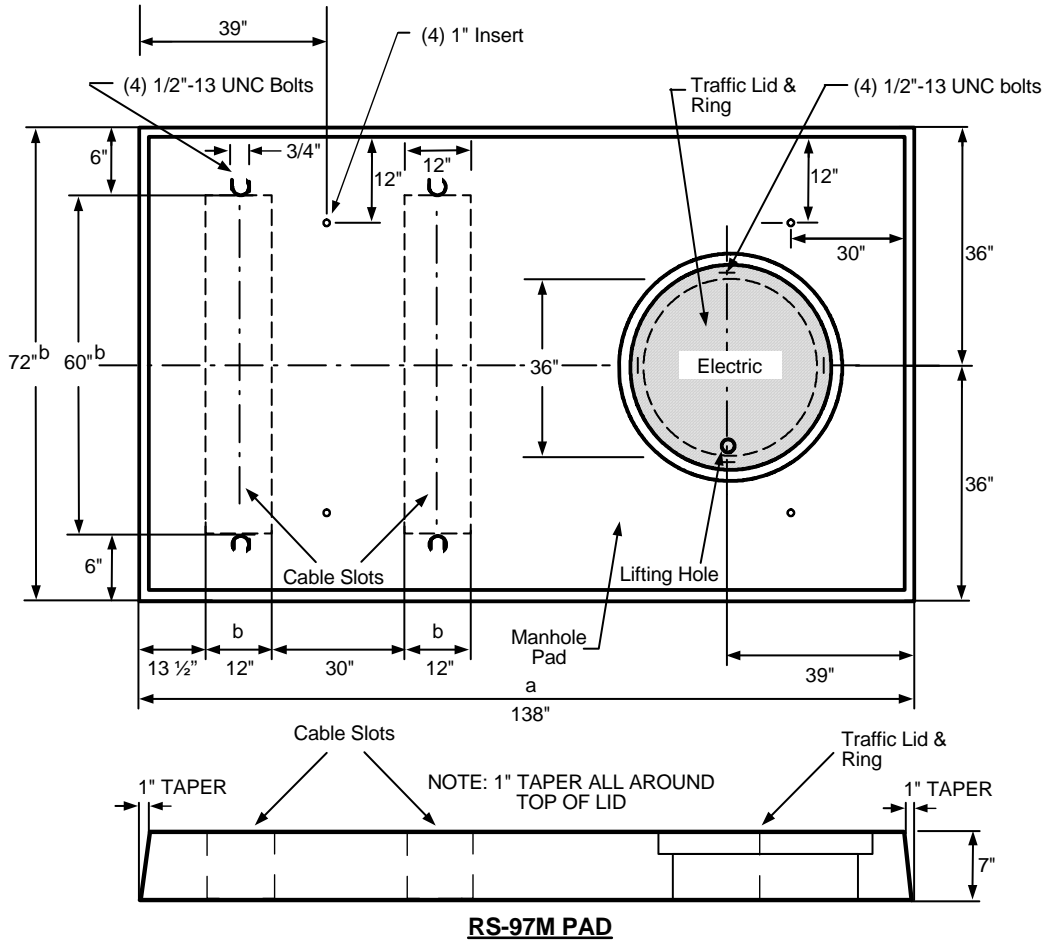


Vaults and Boxes

DESIGN REQUIREMENTS

TOLERANCES:
 a = +1", -1"
 b = +1/4", -1/4"

APPROVED STRUCTURE	
MANUFACTURER	MANHOLE
Jensen Precast	PDRS97M



NOTE:

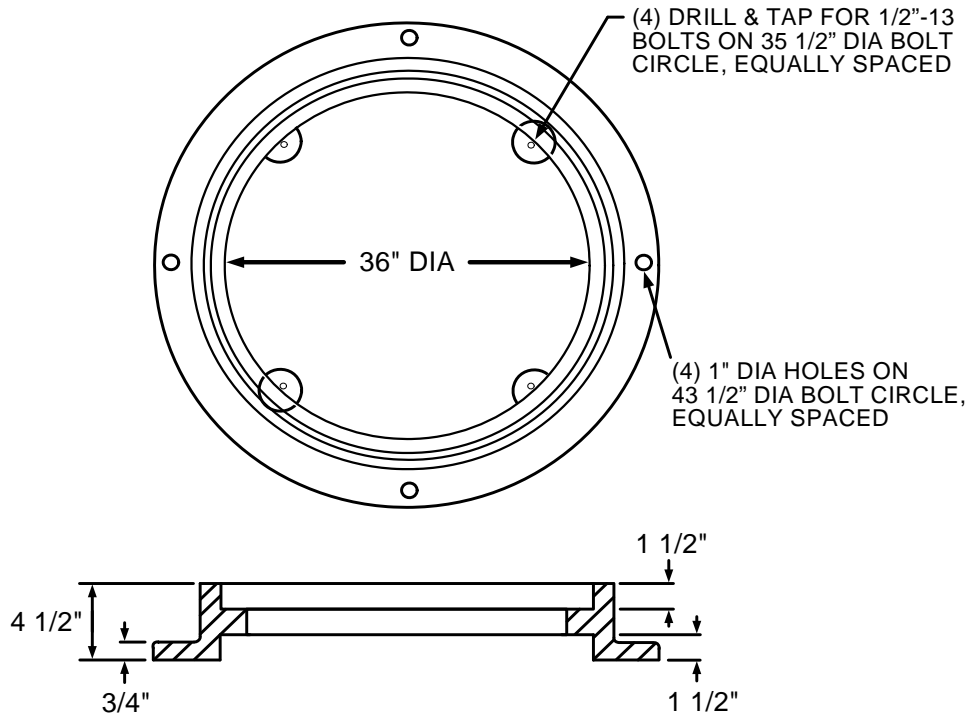
1. Not for new construction
2. FOR MAINTENANCE ONLY.

	Electric Service Requirements			RS-97M								
	Manhole (Maintenance): Switch/Fuse Cabinet, 15kV											
<table border="1" style="width: 100%; border-collapse: collapse;"> <tr> <td style="width: 25%;">Drawn:</td> <td style="width: 25%;">Eng:</td> <td style="width: 25%;">Appr:</td> <td style="width: 25%;">Date:</td> </tr> <tr> <td style="text-align: center;">KT</td> <td style="text-align: center;">RD</td> <td style="text-align: center;">DA</td> <td style="text-align: center;">10/16</td> </tr> </table>	Drawn:	Eng:	Appr:	Date:	KT	RD	DA	10/16				Revision: 4 Page 1 of 2
Drawn:	Eng:	Appr:	Date:									
KT	RD	DA	10/16									

Vaults and Boxes

1. RING AND LID


1. All traffic rings and lids require NVE approval.
2. Traffic rings and lids shall be made in USA and meet AASHTO-H20.44 specification. Conform to H-20 wheel loading, ASTM A-48, and class 35B.
3. Lid shall have a 1" diameter lifting hole (through the thickness of the lid located 9" to 12" from the center of the lid).
4. Lid shall have the word "ELECTRIC" in 1" letters, embossed in the top.
5. Lid shall be safely fastened to the ring with four 1/2"-13 UNC stainless steel pentahead bolts.
6. Frame to be reversible.
7. Ring and lid to have indexing provisions to assist with bolt-hole alignment.



2. TOP PAD SECTION

1. Two 12" x 60" cable slots.
2. Four 1/2"-13 UNC inserts.
3. Four 1" lifting inserts.
4. 1" Taper all around top of lid.
5. 36" diameter cast iron traffic frame mounted in the concrete.
6. RS-97M shall meet RS-G2 and RS-G4.
7. Shims of any type are not allowed for the installation of this box.

NOTE: In the case of road expansion, this structure shall not be adapted for placement under the road without NVE T&D Standards approval.

				Electric Service Requirements		RS-97M
				Manhole (Maintenance): Switch/Fuse Cabinet, 15kV		
Drawn:	Eng:	Appr:	Date:			Revision: 4
KT	RD	DA	10/16			Page 2 of 2