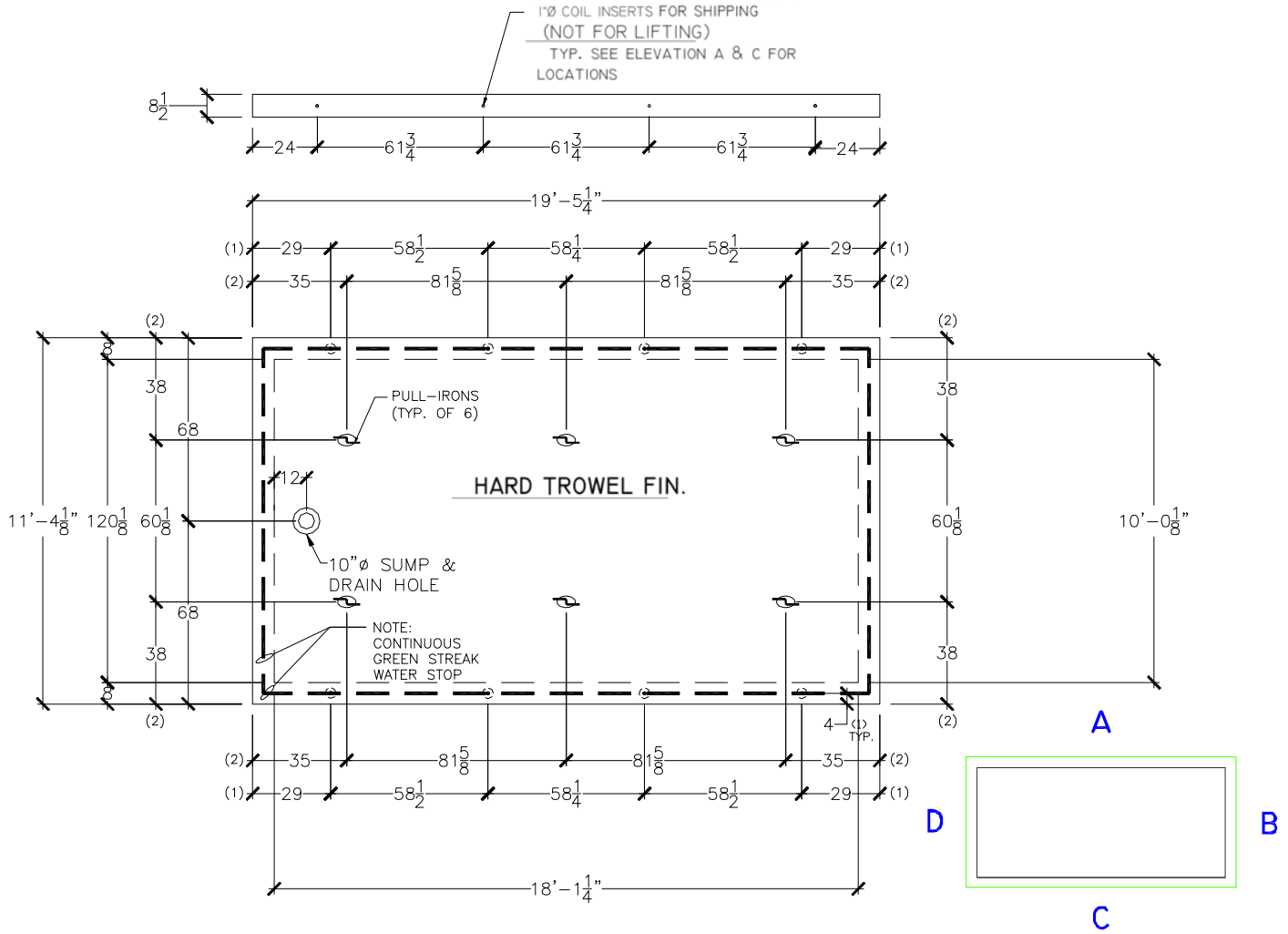

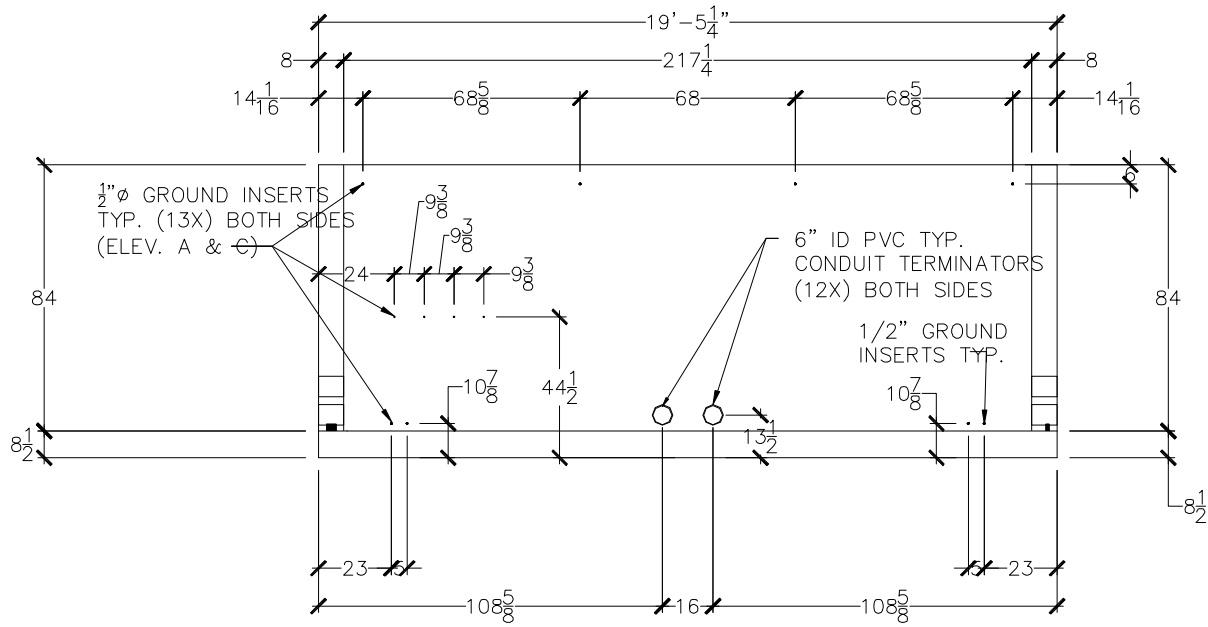


Subsurface Switch Vault, 15kV




| | | | | | | |
|-------------------------------------------------------------------------------------|------|-------|-------|--------------------------------------|--|---------------|
|  | | | | Electric Service Requirements | | RS-117 |
| | | | | Subsurface Switch Vault, 15kV | | |
| Drawn: | Eng: | Appr: | Date: | Revision: 3 Page 1 of 10 | | |
| SC | TA | DA | 01/13 | | | |

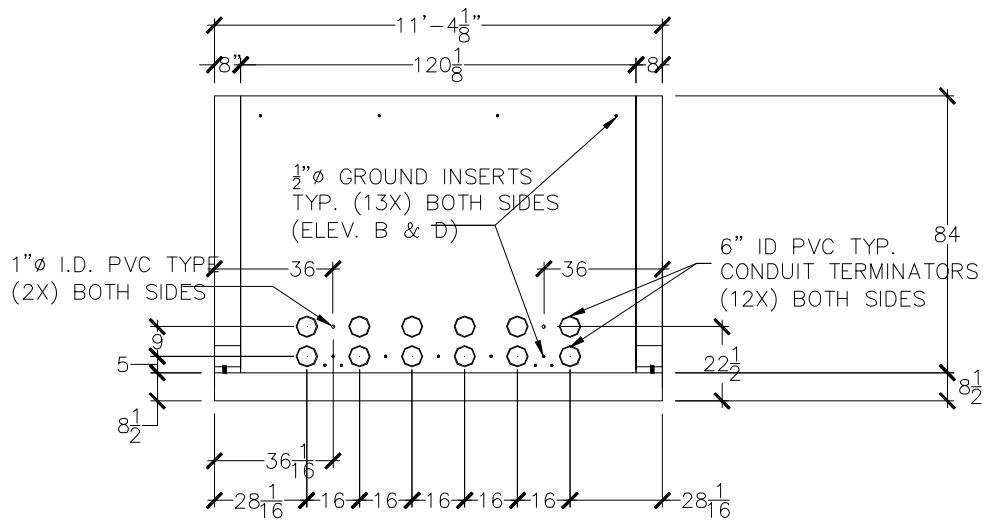
Subsurface Switch Vault, 15kV



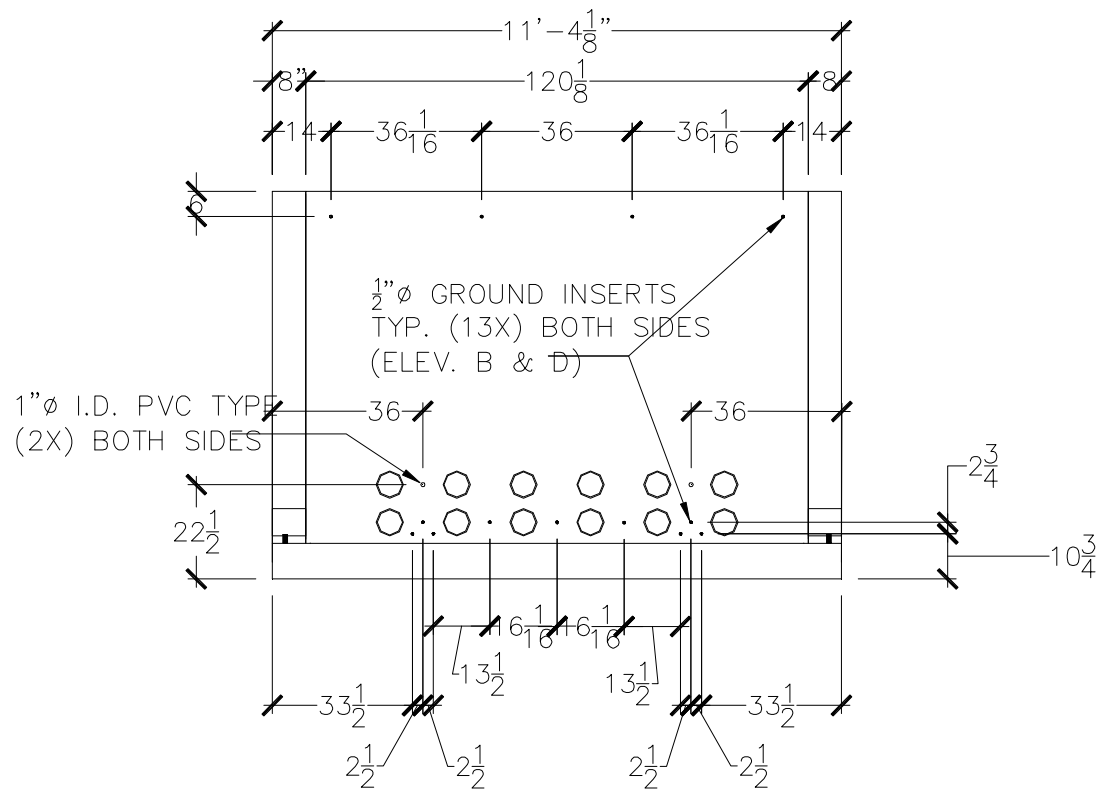
ELEVATION "A" PLAN AND $\frac{1}{2}$ " GROUND INSERTS LOCATION

| | | | | | | |
|-------------------------------------------------------------------------------------|------|-------|-------|--------------------------------------|--|---------------|
|  | | | | Electric Service Requirements | | RS-117 |
| | | | | Subsurface Switch Vault, 15kV | | |
| Drawn: | Eng: | Appr: | Date: | Revision: 3 Page 2 of 10 | | |
| SC | TA | DA | 01/13 | | | |


Subsurface Switch Vault, 15kV



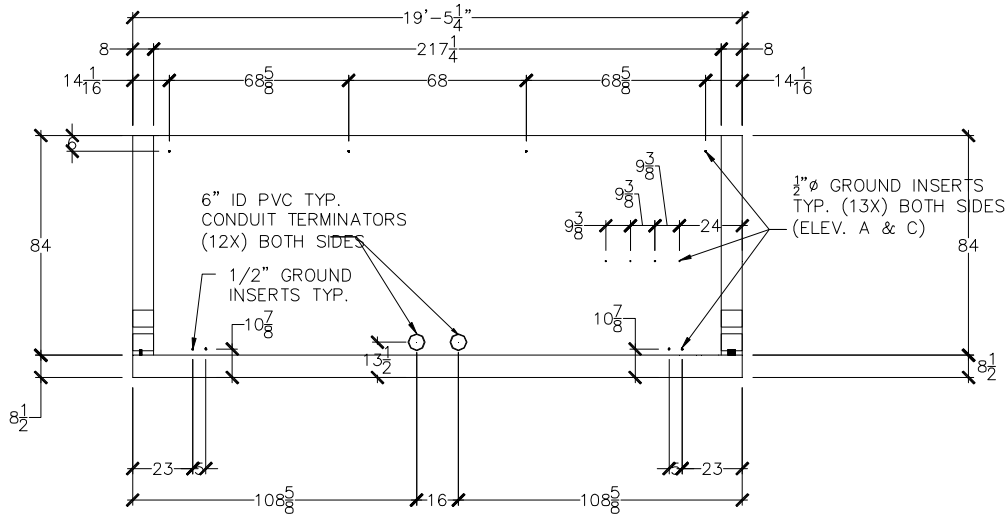
ELEVATION "B" PLAN




1/2" GROUND INSERTS LOCATION

| | | | | | | |
|-------------------------------------------------------------------------------------|------|-------|-------|--------------------------------------|--|---------------|
|  | | | | Electric Service Requirements | | RS-117 |
| | | | | Subsurface Switch Vault, 15kV | | |
| Drawn: | Eng: | Appr: | Date: | Revision: 3 | | |
| SC | TA | DA | 01/13 | | | Page 3 of 10 |

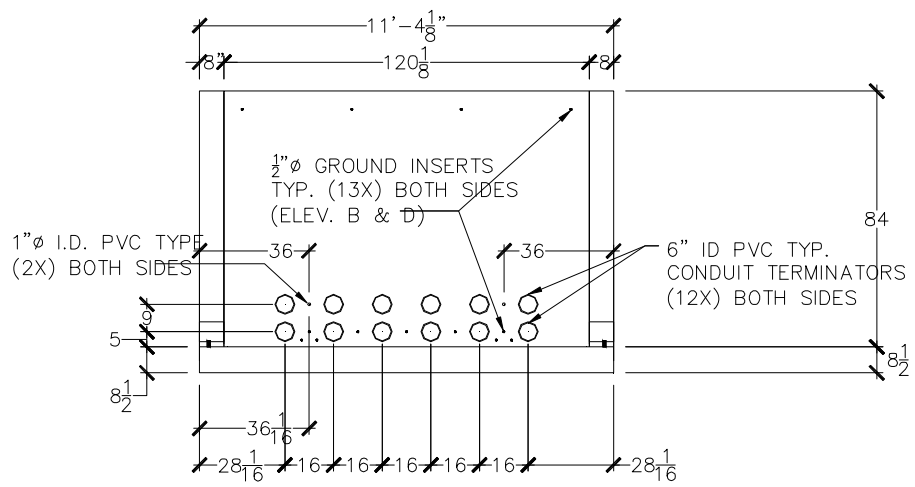
Subsurface Switch Vault, 15kV



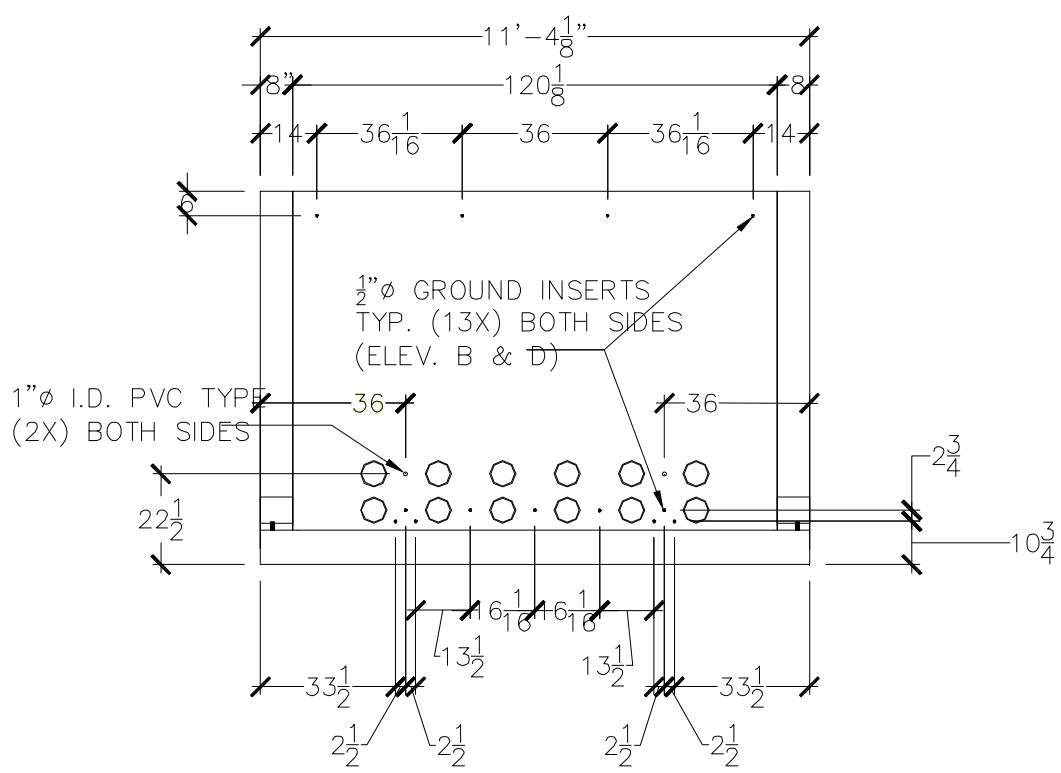
ELEVATION "C" PLAN AND 1/2" GROUND INSERTS LOCATION

| | | | | | | |
|-------------------------------------------------------------------------------------|------|-------|-------|--------------------------------------|--|---------------|
|  | | | | Electric Service Requirements | | RS-117 |
| | | | | Subsurface Switch Vault, 15kV | | |
| Drawn: | Eng: | Appr: | Date: | Revision: 3 Page 4 of 10 | | |
| SC | TA | DA | 01/13 | | | |


Subsurface Switch Vault, 15kV



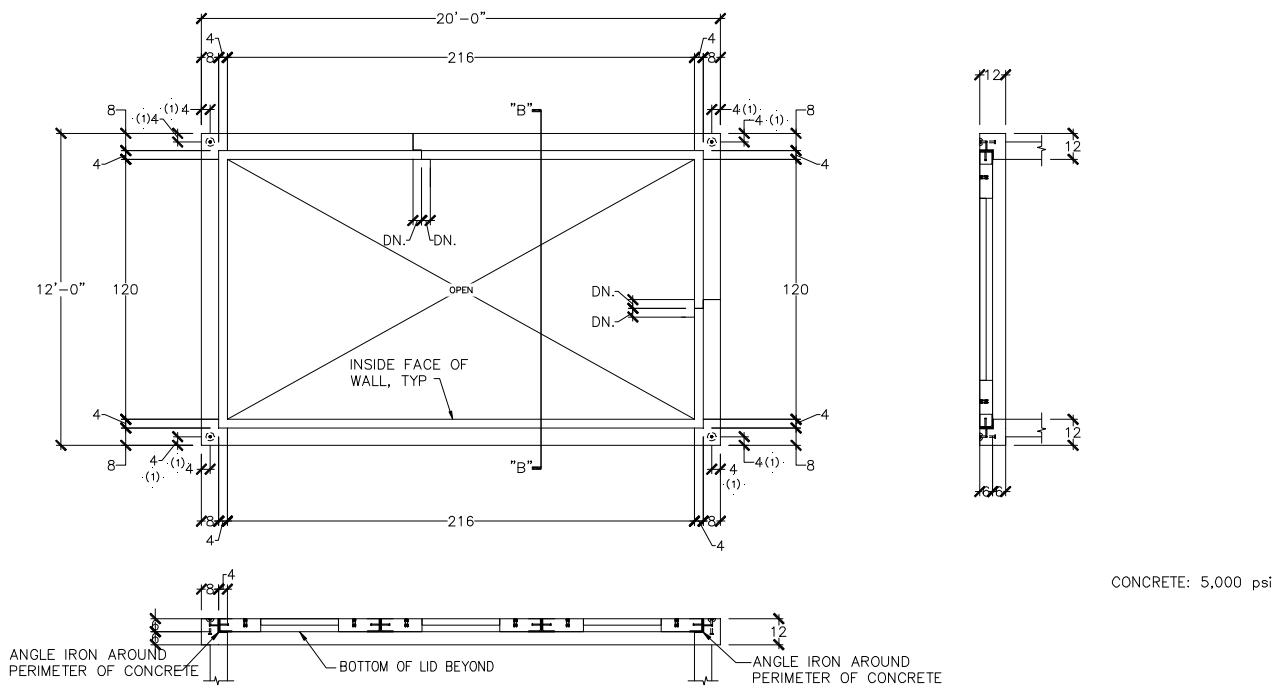
ELEVATION "D" PLAN



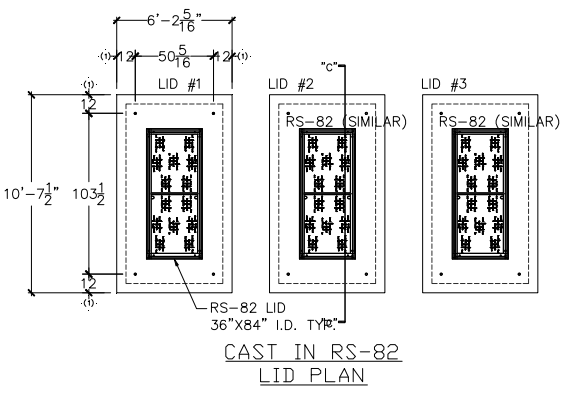
1/2\"/>

| | | | | | | |
|-------------------------------------------------------------------------------------|------|-------|-------|--------------------------------------|--|---------------|
|  | | | | Electric Service Requirements | | RS-117 |
| | | | | Subsurface Switch Vault, 15kV | | |
| Drawn: | Eng: | Appr: | Date: | Revision: 3 | | |
| SC | TA | DA | 01/13 | | | Page 5 of 10 |

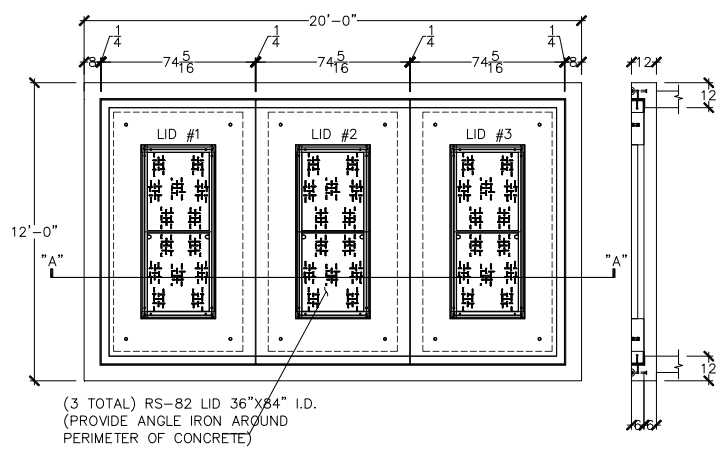
Subsurface Switch Vault, 15kV



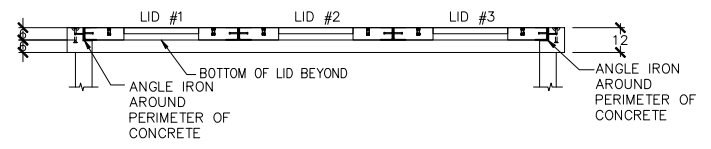
LID PLAN



CAST IN RS-82 LID PLAN



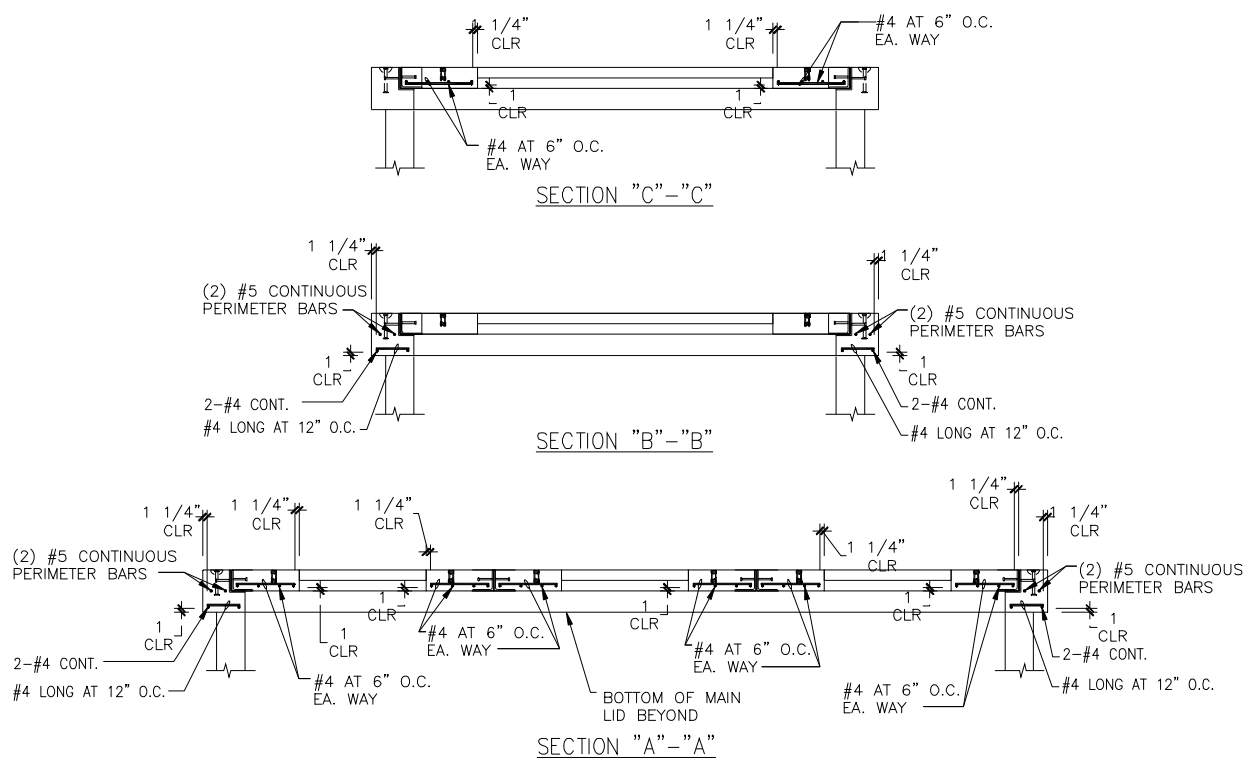
(3 TOTAL) RS-82 LID 36"X84" I.D.
(PROVIDE ANGLE IRON AROUND PERIMETER OF CONCRETE)




RS-82 LID PLAN

| | | | | | | |
|--------|------|-------|-------|--------------------------------------|--|---------------|
| | | | | Electric Service Requirements | | RS-117 |
| | | | | Subsurface Switch Vault, 15kV | | |
| Drawn: | Eng: | Appr: | Date: | Revision: 3 | | Page 6 of 10 |
| SC | TA | DA | 01/13 | | | |

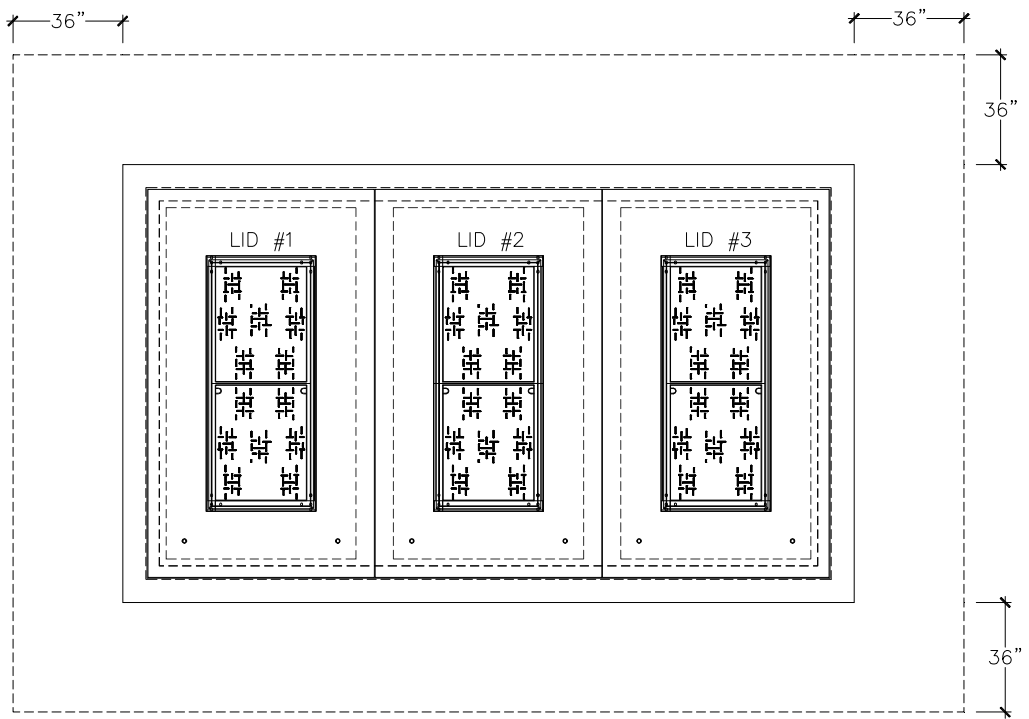
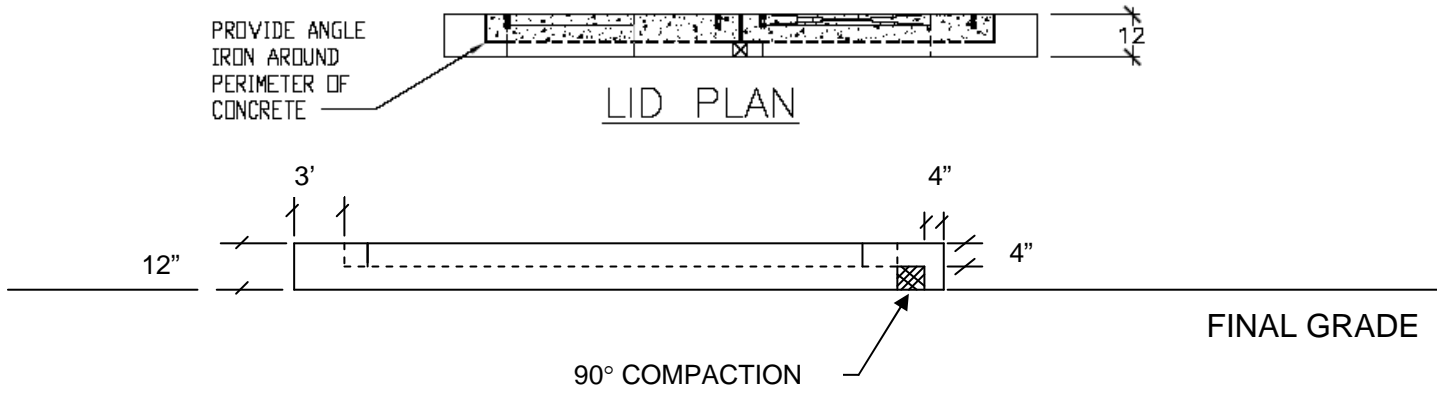
Subsurface Switch Vault, 15kV



SECTIONS
CONCRETE: 5,000 psi

| | | | | | | |
|-------------------------------------------------------------------------------------|------|-------|-------|--------------------------------------|--|---------------|
|  | | | | Electric Service Requirements | | RS-117 |
| | | | | Subsurface Switch Vault, 15kV | | |
| Drawn: | Eng: | Appr: | Date: | Revision: 3 | | |
| SC | TA | DA | 01/13 | | | Page 7 of 10 |

Subsurface Switch Vault, 15kV



Apron Layout

| | | | | | | |
|--------|------|-------|-------|-------------------------------|--|--------------|
| | | | | Electric Service Requirements | | RS-117 |
| | | | | Subsurface Switch Vault, 15kV | | |
| Drawn: | Eng: | Appr: | Date: | | | Page 8 of 10 |
| SC | TA | DA | 01/13 | | | |

Subsurface Switch Vault, 15kV

1. Lid Section

1. Four ton dog bone lifting device, one in each corner of the lid section.
2. Three RS-82 lids, 36" x 84".
3. Angle iron around perimeter of both RS-82 lids.

2. Vault Section


1. 96" (W) x 96" (L) x 84" (H) inside dimensions with tolerances of $\pm 1/2"$.
2. Upper platform 1/4" x 1" stainless steel bar grating, 1 3/16" on center.
3. Switch gear support 1/2" x 2" stainless steel angle.
4. Cable support 3/8" x 1 1/2" stainless steel.
5. Steel galvanized ladder.
6. Lower platform 3/16" x 1 1/4" stainless steel bar grating, 1 3/16" on center.
7. For each end wall 6" PVC conduit terminators shall be located 8" from inside wall and 16" on center.
8. Two 6" PVC conduit terminators shall be centered on each side wall.
9. Conduit terminators to be centered.
10. 1" PVC conduit through each end wall.
11. 1/2" diameter ground inserts per illustration.

3. Entire Structure


1. Install mastic between each section.
2. Shall meet RS-G2 and RS-G4.
3. Unless otherwise noted, all platforms, supports, and hardware shall be stainless steel.
4. Not to be installed in traffic areas.
5. Top of lid section and apron shall be 12" above final grade.

NOTES:

1. Contact T&D Standards before and during the design process.
2. Use only switches NVE Stock No. 253896 (11) or 253898 (9).
3. A RS-94 manhole shall be installed within 100' of subsurface vault for ease of cable installation.
4. Apron to extend 3 feet from lid (all four sides) and shall be 12" above final grade.
5. Vault dimensions are subject to change (at the sole discretion of NV Energy, T&D Standards Department) to ensure the highest level of safety and ease of operations and maintenance.
6. The bottom surface of the manhole shall be level.

| | | | | | | |
|-------------------------------------------------------------------------------------|------|-------|-------|-------------------------------|--|--------|
|  | | | | Electric Service Requirements | | RS-117 |
| | | | | Subsurface Switch Vault, 15kV | | |
| Drawn: | Eng: | Appr: | Date: | Revision: 3 | | |
| SC | TA | DA | 01/13 | Page 9 of 10 | | |

THIS PAGE INTENTIONALLY LEFT BLANK

| | | | | | | |
|-------------------------------------------------------------------------------------|------|-------|-------|-------------------------------|--|--------|
|  | | | | Electric Service Requirements | | RS-117 |
| | | | | Subsurface Switch Vault, 15kV | | |
| Drawn: | Eng: | Appr: | Date: | Revision: 3 | | |
| SC | TA | DA | 01/13 | Page 10 of 10 | | |