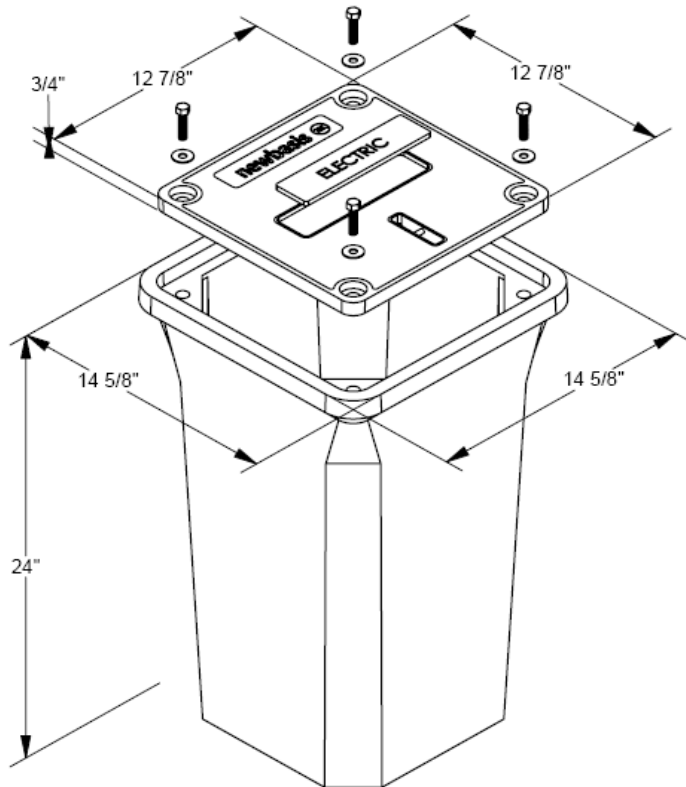


12" X 12" STREET LIGHT BOX




CONSTRUCTION NOTES

1. BOX USED IN: NON-TRAFFIC OR LIGHT-TRAFFIC (PARKING LOTS/ SIDEWALK) AREAS. SEE TE0001U, SECTION 7.
2. INSTALLATION: BOX TO BE PLACED ON 6" OF 3/4" CLEAN DRAIN ROCK.
3. ALL LIDS TO BE MARKED "ELECTRIC".
4. LID TO BE SECURED WITH PENTA HEAD BOLTS.

MAXIMUM CONDUCTORS	
12" x 12" BOX	SECONDARY
	2 RUNS OF #2TX AND 1 RUN OF #10 ST LIGHT WIRE
NOTE: REFER TO CAB09U VOLUME 5 FOR COMPLETE APPLICATION	

NVE STOCK#	DESCRIPTION	APPROVED MANUFACTURERS	
		NEWBASIS	ARMORCAST
24-0020	POLYMER BOX AND LID	PCA121224-00043	A6001423TAX24-NVE
24-1182	REPLACEMENT LID	PCC1212P1-10000	A6001422T

	VOLUME 17 – ENGINEERING & CONSTRUCTION STANDARD	VB0050U								
	12" X 12" STREET LIGHT BOX POLYMER									
<table border="1" style="width: 100%;"> <tr> <td>Drawn:</td> <td>Eng:</td> <td>Appr:</td> <td>Date:</td> </tr> <tr> <td>RN</td> <td>MB</td> <td>DA</td> <td>10/15</td> </tr> </table>	Drawn:	Eng:	Appr:	Date:	RN	MB	DA	10/15		Revision: 1 Page 1 of 1
Drawn:	Eng:	Appr:	Date:							
RN	MB	DA	10/15							