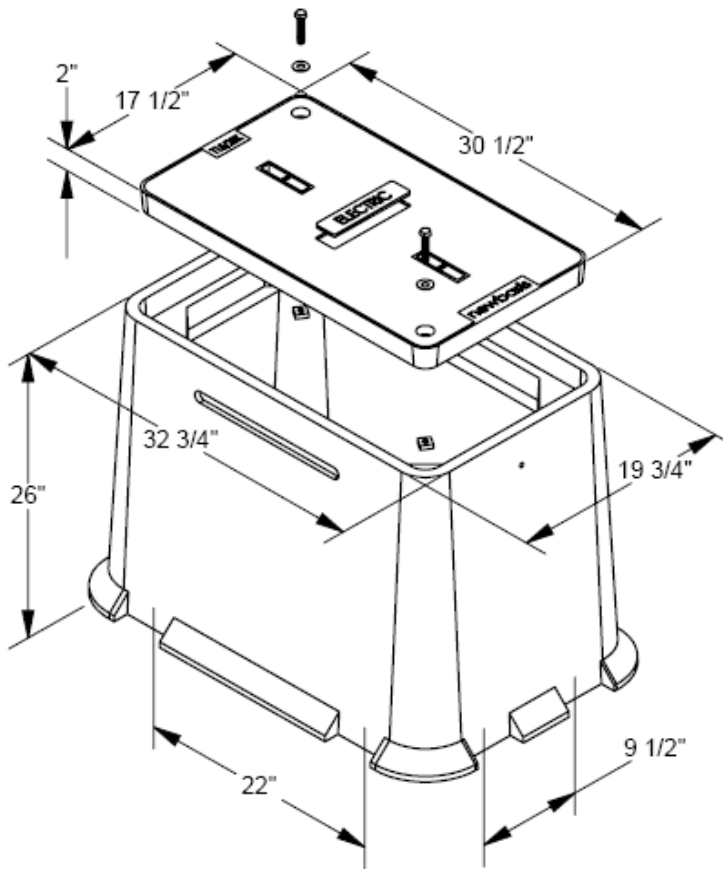


17" X 30" BOX



CONSTRUCTION NOTES

1. DEPENDING ON MANUFACTURER SELECTED BOX USED IN: NON-TRAFFIC OR LIGHT-TRAFFIC (PARKING LOTS/ SIDEWALK) AREAS. SEE TE0001U, SECTION 3.
2. INSTALLATIONS:
NON-TRAFFIC RATED BOX TO BE PLACED ON 6" OF 3/4" CLEAN DRAIN ROCK. LIGHT-TRAFFIC BOX TO BE INSTALLED ON A 1-1/2" CONCRETE BASE, POURED ON 6" OF TYPE 2 BASE MATERIALS COMPACTED TO 95%. SEE TE0020U, "BOX PLAN VIEW".
3. ALL LIDS TO BE MARKED "ELECTRIC".
4. LID TO BE SECURED WITH PENTA HEAD COIL TYPE BOLTS.

MAXIMUM CONDUCTORS			
17" x 30" BOX	MAX RUNS	≤ 350 TX OR QX	≤ 4/0 TX OR QX
1PHASE	6*	4	3
3PHASE	4**	2	2

NOTE: REFER TO CAB 09U VOLUME 5 FOR COMPLETE APPLICATION

* 6 maximum number of runs: 3 runs of 350 TX with 3 runs of any other conductor ranging from #2 to 4/0 TX:
OR: 4 runs of 350 TX with **no other** conductors.
 ** 4 maximum number of runs: 2 runs of 350 quad with 2 runs of any other conductor ranging from #2 to 4/0 quad.

NVE STOCK#	DESCRIPTION	APPROVED MANUFACTURERS	
		NEWBASIS	ARMORCAST
24-0030	POLYMER BOX AND LID	PCA173026T-90003	A6001621TAPCX-NVE
24-1177	REPLACEMENT LID	PCC1730P1-00042	A6001947T

	VOLUME 17 – ENGINEERING & CONSTRUCTION STANDARD			VB0052U
	17" X 30" BOX POLYMER			
Drawn:	Eng:	Appr:	Date:	Revision: 1
RN	MB	DA	10/15	Page 1 of 1